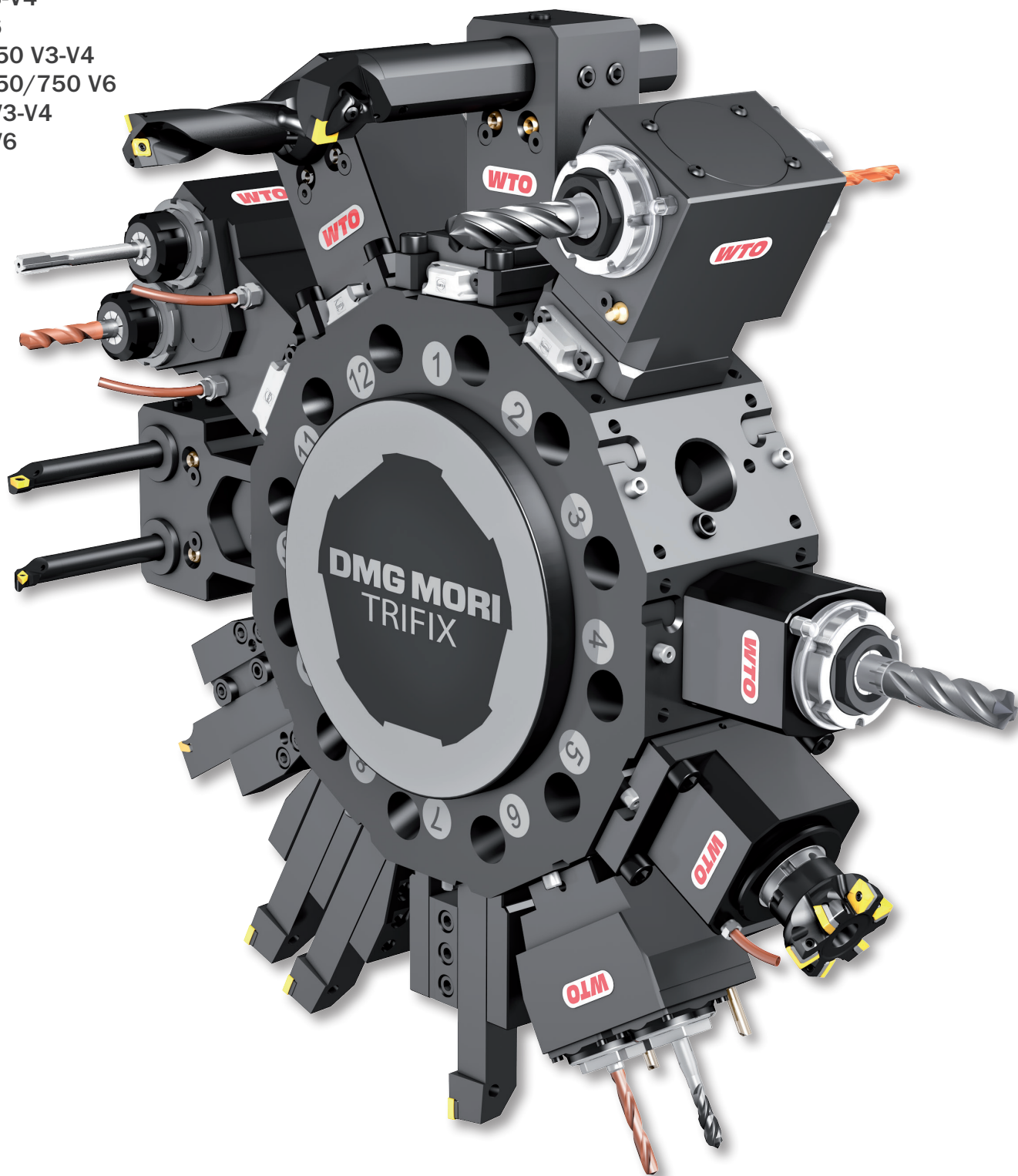


# DMG MORI

# WTO

## Tool Holder Program

CLX 350 V3-V4  
CLX 350 V6  
CLX 450/550 V3-V4  
CLX 450/550/750 V6  
CTX 2500 V3-V4  
CTX 2500 V6  
Sprint 50  
Sprint 65



## Trifix®



## QuickFlex®

The new quick change system for high performance and precision.

Minimal investment, maximal expandability.

Designed  
for  
**Trifix®**

CLX 350 V3-V4	Page	4 - 6
CLX 350 V6	Page	7 - 13
CLX 450/550 V3-V4	Page	14 - 16
CLX 450/550/750 V6	Page	17 - 24
CTX 2500 V3-V4	Page	25 - 27
CTX 2500 V6	Page	28 - 35
Sprint 50	Page	36 - 39
Sprint 65	Page	40 - 46
Reduction sleeves	Page	47 - 48
Collets	Page	49 - 51

**EC = External coolant supply**

**HP-IC = High pressure internal coolant supply through cutting tool**

**IC 80 bar = Internal and external coolant supply**

Max. coolant pressure = 80 bar

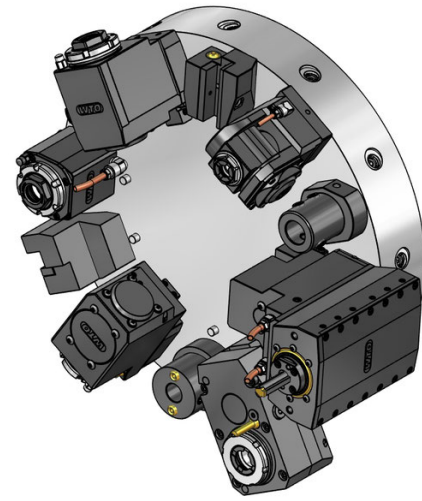
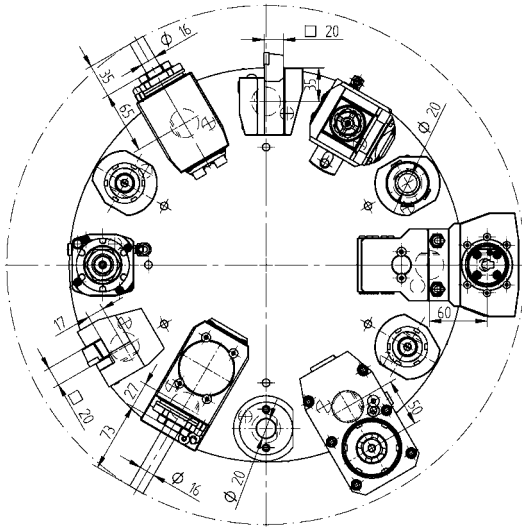
**IC 30 bar = Internal and external coolant supply**

Max. coolant pressure = 30 bar

Only use filtered coolant fluid (max. particle size = 50 µm)

Do not run without coolant

Do not use for machining abrasive materials such as cast iron, etc.



Static Toolholders - Standard Program



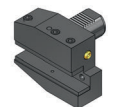
**Radial square toolholder, right hand, short, Form B1**

- 20(16) 48-B1-30x20
- 20(16) 48-B1-30x20x60



**Radial square toolholder, right hand inverted, short, Form B3**

- 20(16) 48-B3-30x20



**Radial square toolholder, right hand, long, Form B5**

- 20(16) 48-B5-30x20



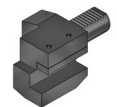
**Radial square toolholder, right hand inverted, long, Form B7**

- 20(16) 48-B7-30x20



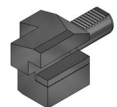
**Radial square toolholder, HP-IC - double VDI serration**

- 20 48-105980R-HP IC 80 bar
- 20 48-105980L-HP IC 80 bar



**Axial square toolholder, right hand, Form C1**

- 20(16) 48-C1-30x20
- 3/4" 48-C1-30x075



**Axial square toolholder, right hand inverted, Form C3**

- 20(16) 48-C3-30x20
- 3/4" 48-C3-30x075



**Cut-off holder, adjustable height, right hand**

- SH 26 48-AR-30x26

Static Toolholders - Standard Program



**Cut-off holder, adjustable height, right hand inverted**

- SH 26 48-ARU-30x26



**Cut-off holder, adjustable height, HP-IC**

- SH 26 48-102686R IC 80 bar
- SH 26 48-102686L IC 80 bar
- SH 32 48-102688R IC 80 bar
- SH 32 48-102688L IC 80 bar



**Holder for indexable insert drills, internal coolant supply, Form E1**

- Ø 16 48-E1-30x16
- Ø 20 48-E1-30x20
- Ø 25 48-E1-30x25
- Ø 32 48-E1-30x32



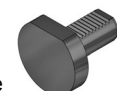
**Boring bar holder, internal coolant supply, Form E2**

- Ø 8 48-E2-30x8
- Ø 10 48-E2-30x10
- Ø 12 48-E2-30x12
- Ø 16 48-E2-30x16
- Ø 20 48-E2-30x20
- Ø 25 48-E2-30x25
- Ø 30 48-E2-30x30
- Ø 32 48-E2-30x32



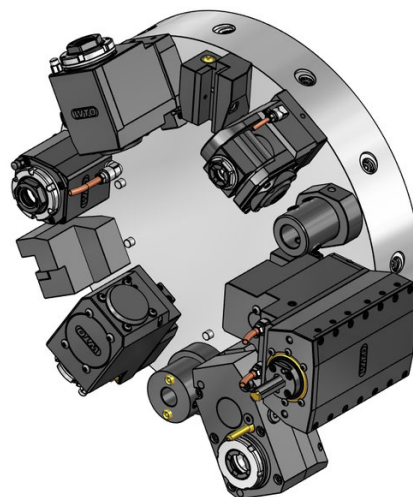
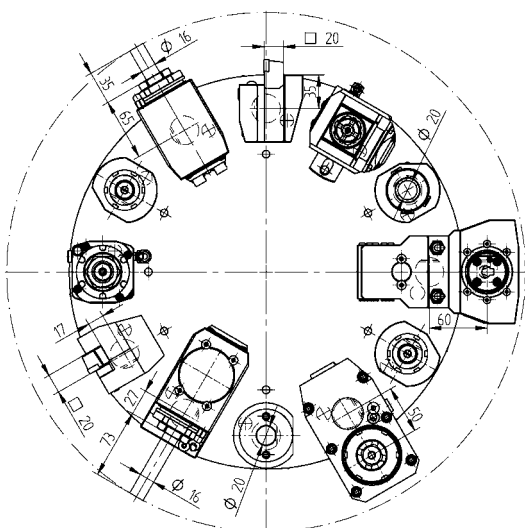
**ER collet chuck holder, internal coolant supply, Form E4**

- ER 25 48-E4-30x25  
107525000
- ER 32 48-E4-30x32  
107532000
- ER 40 48-E4-30x40  
107540000



**Plug, steel, Form Z2**

- Steel 48-Z2-30-S



Driven Toolholders - QuickFlex®



**Straight drill/milling unit**

**ER-25 QF** 420125010-30R 1:1 EC  
 0067725010

**ER-25 QF** 420125019-30R 1:1 IC 80 bar  
 0067725010



**Right angle drill/milling unit**

**ER-25 QF** 420525066-30R 1:1 EC  
 0067725010

**ER-25 QF** 420525067-30R 1:1 IC 80 bar  
 0067725010



**Right angle back set drill/milling unit**

**ER-25 QF** 420525062-30R 1:1 EC  
 0067725010

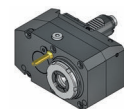
**ER-25 QF** 420525063-30R 1:1 IC 80 bar  
 0067725010

Driven Toolholders - Enhanced Program



**Straight milling unit**

**Ø 16** 410216014-30 1:1 EC  
 00675000854



**Straight offset drill/milling unit**

**ER 25** 410116094-30 1:1 EC  
 00675000801

**ER 25** 410116095-30 1:1 IC 80 bar  
 00675000801

**ER 20** 410113029-30 1:2 EC  
 00675000591

**ER 20** 410113030-30 1:2 IC 80 bar  
 00675000591

**ER 32** 410120035-30 2:1 EC  
 00675000592

**ER 32** 410120036-30 2:1 IC 80 bar  
 00675000592



**Straight offset drill/milling unit - double VDI serration**

**ER 16** 410410002-30 1:3 EC  
 00675000937

**ER 16** 410410001-30 1:3 IC 80 bar  
 00675000937



**Right angle drill/milling unit**

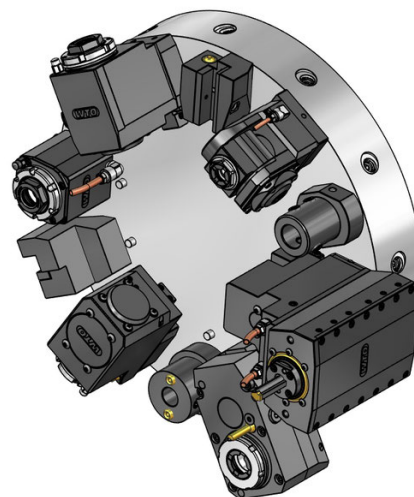
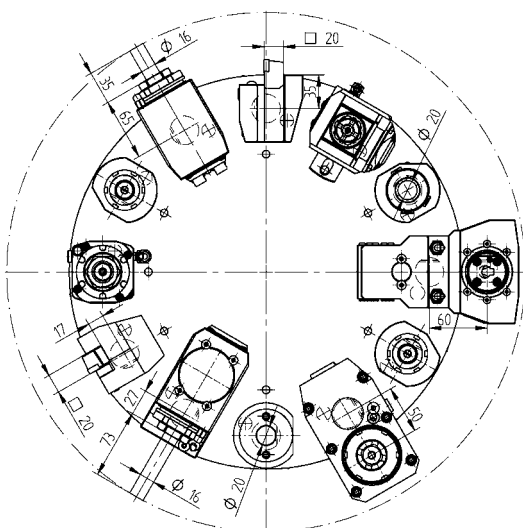
**ER-20 QF** 420520011-30R 1:2 EC  
 0067720000

**ER-20 QF** 420520012-30R 1:2 IC 80 bar  
 0067720000

**ER-25 QF** 420525087-30R 2:1 EC  
 0067725010

**ER-25 QF** 420525088-30R 2:1 IC 80 bar  
 0067725010



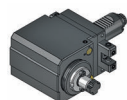


Driven Toolholders - Enhanced Program



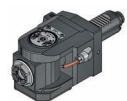
**Right angle back set drill/milling unit**

<b>ER 25</b>	410516136-30	2:1	EC
	00675000801		
<b>ER 25</b>	410516137-30	2:1	IC 80 bar
	00675000801		



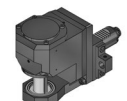
**Right angle milling unit with combination mill arbor DIN 6358**

<b>Ø 16</b>	410616021-30	1:1	EC
	00675000854		
<b>Ø 22</b>	410622011-30	1:1	EC
	00675000160		



**Adjustable angle drill/milling unit**

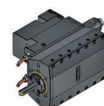
<b>ER 16</b>	411010003-30	1:1	EC
	00675000902		
<b>ER 16</b>	411010004-30	1:1	IC 80 bar
	00675000902		
<b>ER 11</b>	411007016-30	1:2	EC
	00675000914		
<b>ER 11</b>	411007017-30	1:2	IC 80 bar
	00675000914		



**Slitting saw unit**

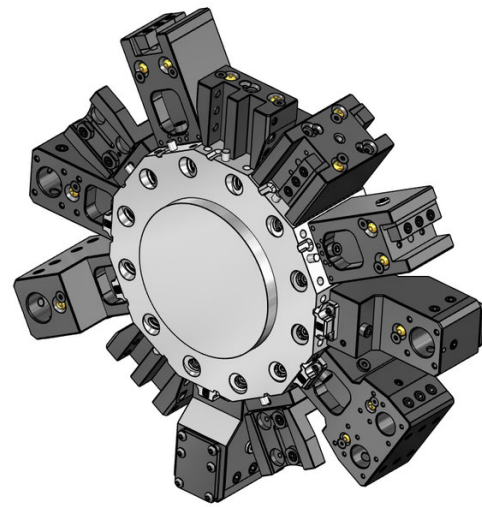
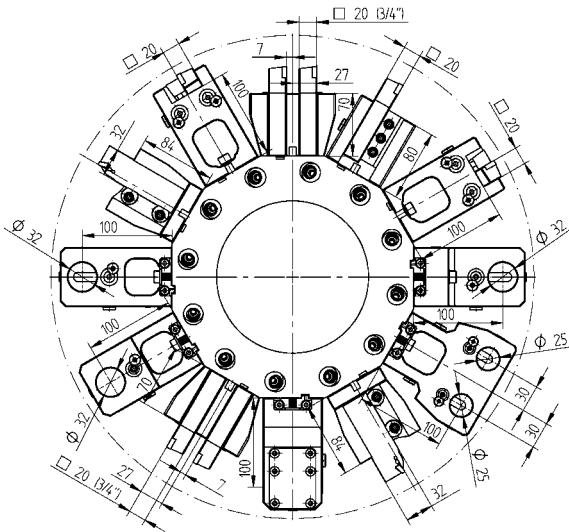
<b>Type 14-2</b>	410900008-30	2.62:1	EC
	00675000460		
	160016142 Ø 16		
	160022142 Ø 22		
	160027142 Ø 27		
	160015142 Ø 5/8"		
	160019142 Ø 3/4"		
	160023142 Ø 7/8"		
	160025142 Ø 1"		

Driven Toolholders - Enhanced Program




**Broaching unit for ID and OD**

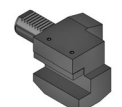
<b>TN765050</b>	414132000-30	1:1	EC
-----------------	--------------	-----	----

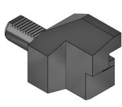


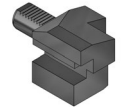
Static Toolholders - Standard Program


Static Toolholders - Standard Program


- 


**Axial square toolholder, right hand, Form C1**  
 20(16) 48-C1-30x20  
 3/4" 48-C1-30x075
- 


**Axial square toolholder, left hand, Form C2**  
 20(16) 48-C2-30x20
- 

**Axial square toolholder, right hand inverted, Form C3**  
 20(16) 48-C3-30x20  
 3/4" 48-C3-30x075
- 


**Axial square toolholder, left hand inverted, Form C4**  
 20(16) 48-C4-30x20
- 


**Universal square toolholder, Form D1**  
 20(16) 48-D1-30x20
- 

**Universal square toolholder, inverted, Form D2**  
 20(16) 48-D2-30x20
- 

**OD cutting holder, left**  
 20 48-71932  
 R4Z410W
- 



**OD cutting holder, right**  
 20 48-72047  
 R4Z230W


- 


**OD cutting holder, both sides**  
 20 48-71216  
 R6Z410W
- 


**Face cutting holder**  
 20 48-105756
- 

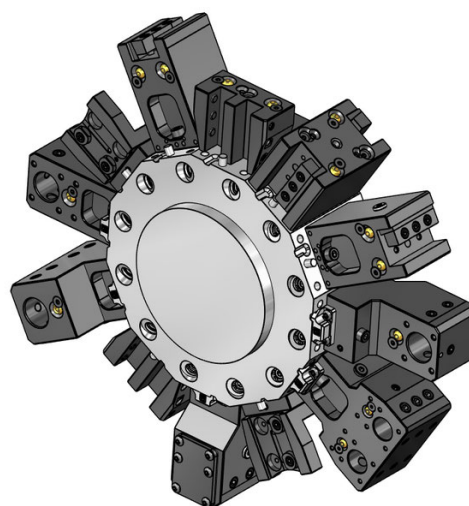
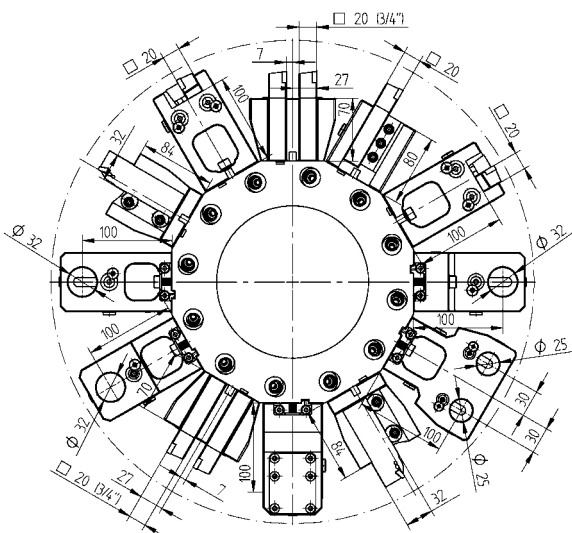
**Face cutting holder, Trifix®**  
 20 48-109793
- 

**Combination toolholder, universal, LF=100**  
 Ø 32 48-71434  
 241132016 ER25  
 241132020 ER32
- 

**Combination toolholder, universal, Trifix®, LF=100**  
 Ø 32 48-96995  
 241132016 ER25  
 241132020 ER32
- 

**Combination toolholder, back set, left hand, LF=100**  
 Ø 32 48-71438  
 241132016 ER25  
 241132020 ER32  
 Ø 1 1/4" 48-74548
- 

**Combination toolholder, back set, left hand, Trifix®, LF=100**  
 Ø 32 48-97531  
 241132016 ER25  
 241132020 ER32  
 Ø 1 1/4" 48-97536



Static Toolholders - Standard Program





**Combination toolholder, back set, right hand, LF=100**

- Ø 32 48-71436
  -  241132016 ER25
  -  241132020 ER32

Ø 1 1/4" 48-74544



**Combination toolholder, back set, right hand, Trifix®, LF=100**

- Ø 32 48-97553
  -  241132016 ER25
  -  241132020 ER32

Ø 1 1/4" 48-97555



**Combination toolholder, both sides, LF=100**

Ø 32 48-88781




**Combination toolholder, both sides, Trifix®, LF=100**

Ø 32 48-97496




**Collet face drill holder, LF=100**

- ER 32 48-82824 IC 80 bar
  -  107532000




**Collet face drill holder, Trifix®, LF=100**

- ER 32 48-100198 IC 80 bar
  -  107532000




**Collet face drill holder, both sides, LF=100**

- ER 32 48-82847 IC 80 bar
  -  107532000

Static Toolholders - Standard Program



**Collet face drill holder, both sides, Trifix®, LF=100**

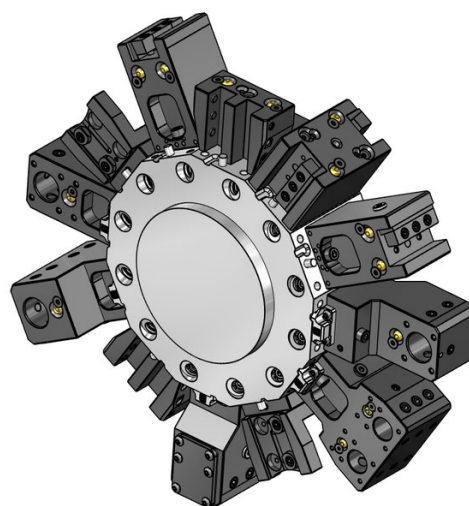
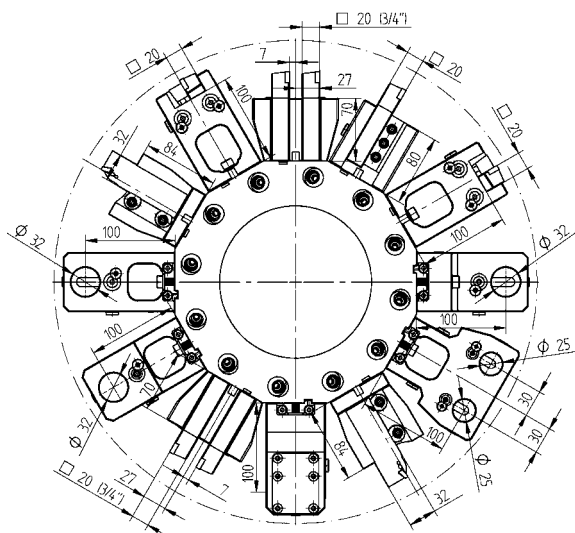
- ER 32 48-100199 IC 80 bar
  -  107532000



**Plug, steel, Form Z2**


Steel 48-Z2-30-S








Static Toolholders - Enhanced Program

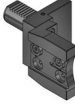
Static Toolholders - Enhanced Program


- 


**OD cutting holder, HP-IC - double VDI serration**  
 20 48-105977-HP IC 80 bar
- 



**OD cutting holder, both sides, HP-IC**  
 20 48-71216-HP IC 80 bar
- 

**OD cutting holder, double, Y axis - double VDI serration**  
 20 (3/4") 48-84593
- 

**OD cutting holder, both sides, double, Y axis**  
 20 (3/4") 48-77395  
 442750W
- 

**Cut-off holder, adjustable - double VDI serration**  
 SH 26 48-98991  
 R4Z451W  
 SH 32 48-99017  
 R9Z450
- 

**Cut-off holder, adjustable, HP-IC - double VDI serration**  
 SH 26 48-102630R IC 80 bar  
 SH 26 48-102630L IC 80 bar  
 SH 32 48-102632R IC 80 bar  
 SH 32 48-102632L IC 80 bar
- 

**Combination toolholder, universal, Trifix®, LF=100 - BMT**  
 Ø 40 48-99669  
 241140020 ER32  
 241140026 ER40

- 

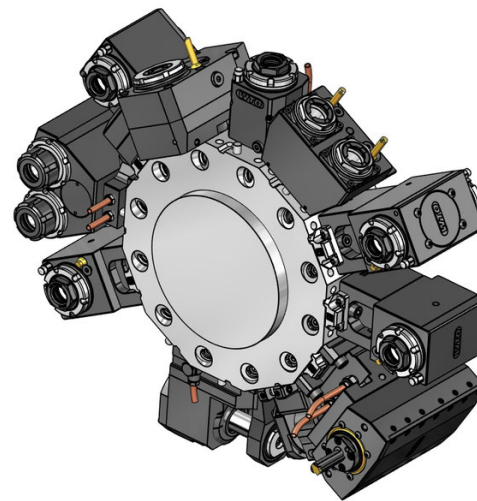
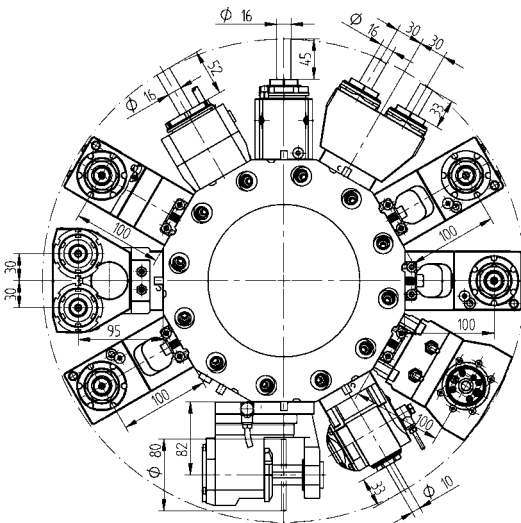
**Boring bar holder, with slot, LF=100**  
 Ø 32 48-87088
- 

**Boring bar holder, with slot, Trifix®, LF=100**  
 Ø 32 48-97588
- 

**Boring bar holder, with slot, Trifix®, LF=100 - BMT**  
 Ø 40 48-96994
- 

**Combination toolholder, universal, double, Y axis, LF=100**  
 Ø 25 48-79026  
 241125016 ER25
- 

**Combination toolholder, universal, double, Y axis, Trifix®, LF=100**  
 Ø 25 48-99635  
 241125016 ER25



Driven Toolholders - QuickFlex®

Driven Toolholders - QuickFlex®



**Straight drill/milling unit (6000 RPM)**

**ER-25 QF** 420125010-30L 1:1 EC  
440441W  
0067725010

**ER-25 QF** 420125019-30L 1:1 IC 80 bar  
0067725010



**Straight drill/milling unit (12000 RPM)**

**ER-25 QF** 420125014-30L 1:1 EC  
0067725010

**ER-25 QF** 420125015-30L 1:1 IC 80 bar  
0067725010



**Right angle drill/milling unit, Trifix®, (6000 RPM)**

**ER-25 QF** 420525055-30L 1:1 EC  
0067725010

**ER-25 QF** 420525056-30L 1:1 IC 80 bar  
0067725010



**Right angle drill/milling unit, Trifix®, (12000 RPM)**

**ER-25 QF** 420525106-30L 1:1 EC  
0067725010

**ER-25 QF** 420525107-30L 1:1 IC 80 bar  
0067725010



**Right angle drill/milling unit, Trifix®, (6000 RPM)**

**ER-25 QF** 420525055-30R 1:1 EC  
0067725010

**ER-25 QF** 420525056-30R 1:1 IC 80 bar  
0067725010



**Right angle drill/milling unit, Trifix®, (12000 RPM)**

**ER-25 QF** 420525106-30R 1:1 EC  
0067725010

**ER-25 QF** 420525107-30R 1:1 IC 80 bar  
0067725010



**Right angle back set drill/milling unit, Trifix®, (6000 RPM)**

**ER-25 QF** 420525089-30L 1:1 EC  
0067725010

**ER-25 QF** 420525090-30L 1:1 IC 80 bar  
0067725010



**Right angle back set drill/milling unit, Trifix®, (12000 RPM)**

**ER-25 QF** 420525060-30L 1:1 EC  
0067725010

**ER-25 QF** 420525061-30L 1:1 IC 80 bar  
0067725010



**Right angle back set drill/milling unit, Trifix®, (6000 RPM)**

**ER-25 QF** 420525089-30R 1:1 EC  
0067725010

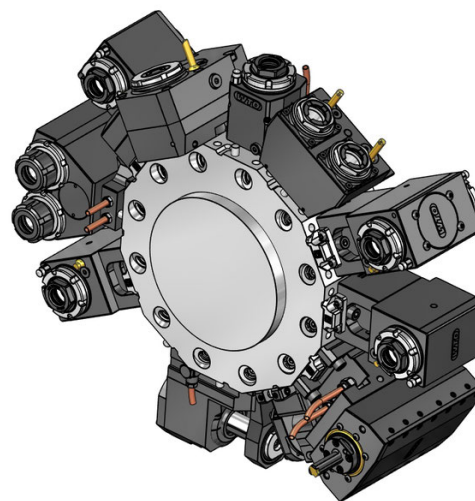
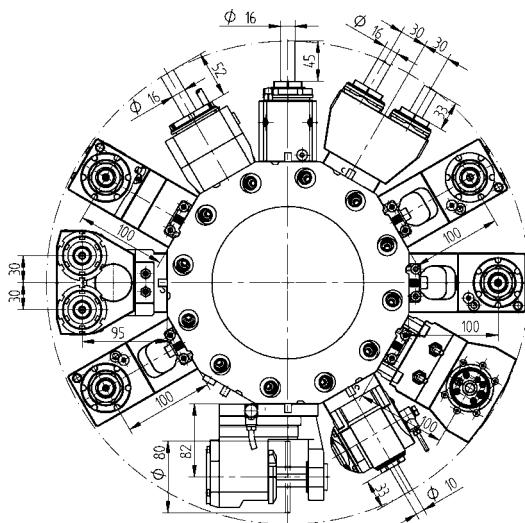
**ER-25 QF** 420525090-30R 1:1 IC 80 bar  
0067725010



**Right angle back set drill/milling unit, Trifix®, (12000 RPM)**

**ER-25 QF** 420525060-30R 1:1 EC  
0067725010

**ER-25 QF** 420525061-30R 1:1 IC 80 bar  
0067725010



Driven Toolholders - QuickFlex®



**Right angle drill/milling unit, both sides, Trifix®, (6000 RPM)**  
**ER-25 QF** 420525086-30 1:1 EC  
 0067725010




**Right angle drill/milling unit, both sides, Trifix®, (12000 RPM)**  
**ER-25 QF** 420525095-30 1:1 EC  
 0067725010


Driven Toolholders - Enhanced Program




**Straight drill/milling unit - BMT**  
**ER-32 QF** 420132010-30 1:1 EC  
 0067732000  
**ER-32 QF** 420132011-30 1:1 IC 80 bar  
 0067732000



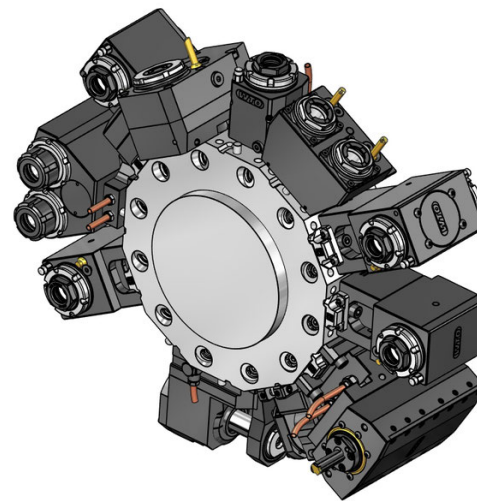
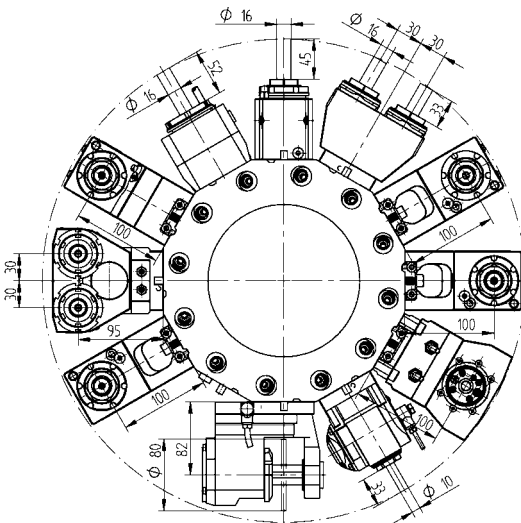
**Straight milling unit**  
**Ø 16** 410216014-30 1:1 EC  
 00675000854



**Straight offset drill/milling unit**  
**ER 25** 410116058-30 1:1 EC  
 00675000801  
**ER 25** 410116057-30 1:1 IC 80 bar  
 00675000801  
**ER 20** 410113010-30 1:2 EC  
 00675000591  
**ER 20** 410113009-30 1:2 IC 80 bar  
 00675000591  
**ER 25** 410116059-30 2:1 EC  
 00675000801  
**ER 25** 410116060-30 2:1 IC 80 bar  
 00675000801  
**ER 32** 410120027-30 2:1 EC  
 00675000592  
**ER 32** 410120032-30 2:1 IC 80 bar  
 00675000592



**Straight offset drill/milling unit - double VDI serration**  
**ER 16** 410410002-30 1:3 EC  
 00675000937  
**ER 16** 410410001-30 1:3 IC 80 bar  
 00675000937



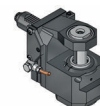
Driven Toolholders - Enhanced Program

Driven Toolholders - Enhanced Program



**Right angle drill/milling unit**

<b>ER-20 QF</b>	420520013-30	1:2	EC
	0067720000		
<b>ER-20 QF</b>	420520014-30	1:2	IC 80 bar
	0067720000		
<b>ER 16</b>	410810012-30	1:3	EC
	00675000841		
<b>ER 16</b>	410810013-30	1:3	IC 80 bar
	00675000841		
<b>ER-25 QF</b>	420525096-30	2:1	EC
	0067725010		
<b>ER-25 QF</b>	420525097-30	2:1	IC 80 bar
	0067725010		



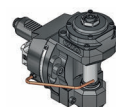
**Slitting saw unit**

<b>Type 14-2</b>	410900015-30	2.62:1	EC
	00675000460		
	160016142 Ø 16		
	160022142 Ø 22		
	160027142 Ø 27		
	160015142 Ø 5/8"		
	160019142 Ø 3/4"		
	160023142 Ø 7/8"		
	160025142 Ø 1"		



**Right angle drill/milling unit, Trifix®**

<b>ER-20 QF</b>	420520015-30L	1:2	EC
	0067720000		
<b>ER-20 QF</b>	420520016-30L	1:2	IC 80 bar
	0067720000		



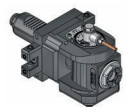
**Gear hobbing unit, Trifix®**

<b>Type 15-2</b>	410900025-30	1:1	EC
	00675001015		
	160008152 Ø 8		
	160010152 Ø 10		
	160013152 Ø 13		
	160016152 Ø 16		
	160022152 Ø 22		
	160015152 Ø 5/8"		
	160019152 Ø 3/4"		
	110587		



**Right angle back set drill/milling unit**

<b>ER 32</b>	410520013-30	2:1	EC
	00675000592		
<b>ER 32</b>	410520014-30	2:1	IC 80 bar
	00675000592		



**Adjustable angle drill/milling unit**

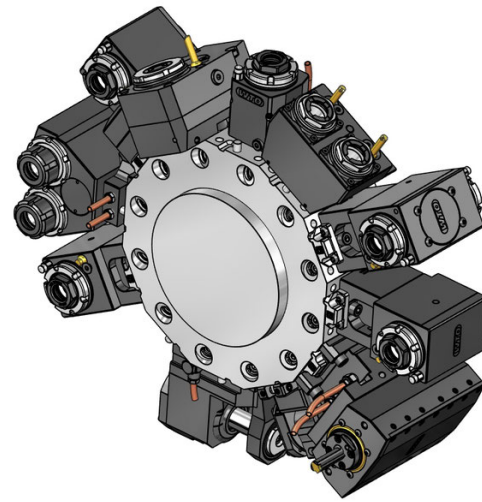
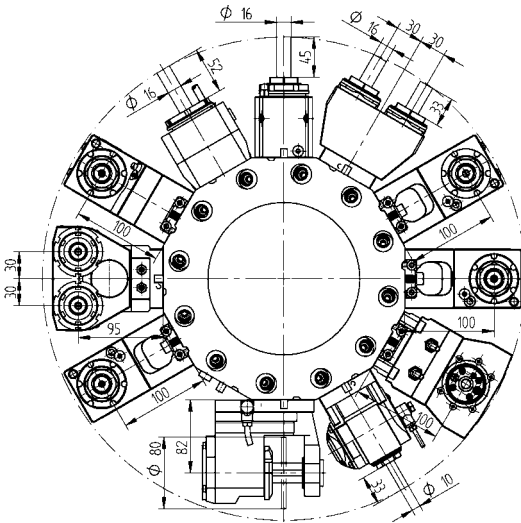
<b>ER 16</b>	411010015-30	1:1	EC
	00675000902		
<b>ER 16</b>	411010016-30	1:1	IC 80 bar
	00675000902		
<b>ER 11</b>	411007018-30	1:2	EC
	00675000914		
<b>ER 11</b>	411007019-30	1:2	IC 80 bar
	00675000914		



**Drill/milling unit - double, Y axis**

<b>ER 25</b>	413002008-30	1:1.5	EC
	00675000930		
<b>ER 25</b>	413002009-30	1:1.5	IC 80 bar
	00675000930		





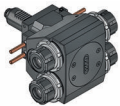
Driven Toolholders - Enhanced Program



**2-spindle - Face drill/milling unit, Y axis**

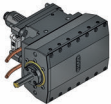
ER 25 413502000-30 1:1 EC  
 00675000915

ER 25 413502004-30 1:1 IC 80 bar  
 00675000915



**2-spindle - Face drill/milling unit, both sides, Y axis**

ER 25 413502009-30 1:1 EC  
 00675000915



**Broaching unit for ID and OD, Trifix® - BMT**

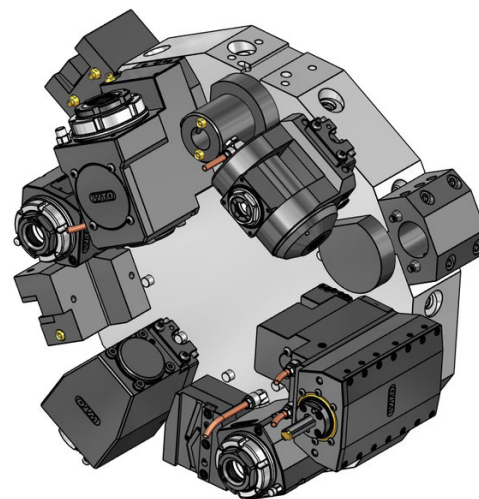
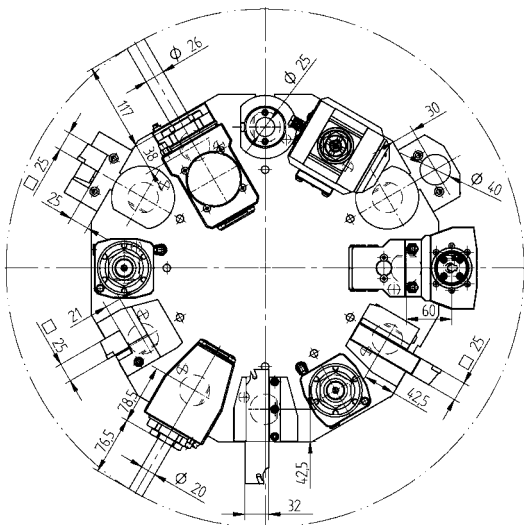
TN765050 414532001-30L 1:1 EC



**Broaching unit for ID and OD, Trifix® - BMT**

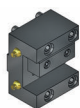
TN765050 414532001-30R 1:1 EC





Static Toolholders - Standard Program

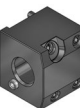
Static Toolholders - Standard Program



**Face cutting holder**  
25 48-PU2-25-25



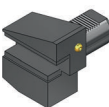
**Combination toolholder**  
 Ø 20 48-PU1-25-20 IC 80 bar  
 Ø 25 48-PU1-25-25 IC 80 bar  
 Ø 32 48-PU1-25-32 IC 80 bar  
 Ø 40 48-PU1-25-40 IC 80 bar  
 Ø 50 48-PU1-25-50 IC 80 bar



**VDI adapter, right**  
VDI 40 48-99856



**Radial square toolholder, right hand, short, Form B1**  
25(20) 48-B1-40x25



**Radial square toolholder, right hand inverted, short, Form B3**  
25(20) 48-B3-40x25



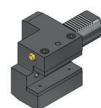
**Radial square toolholder, right hand, long, Form B5**  
25(20) 48-B5-40x25  
1" 48-B5-40x100



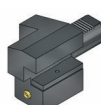
**Radial square toolholder, right hand inverted, long, Form B7**  
25(20) 48-B7-40x25  
1" 48-B7-40x100



**Radial square toolholder, HP-IC - double VDI serration**  
25 48-105989R-HP IC 80 bar  
343-810100R71  
25 48-102790L-HP IC 80 bar



**Axial square toolholder, right hand, Form C1**  
25(20) 48-C1-40x25



**Axial square toolholder, right hand inverted, Form C3**  
25(20) 48-C3-40x25



**Cut-off holder, adjustable height, right hand**  
SH 26 48-AR-40x26  
SH 32 48-AR-40x32



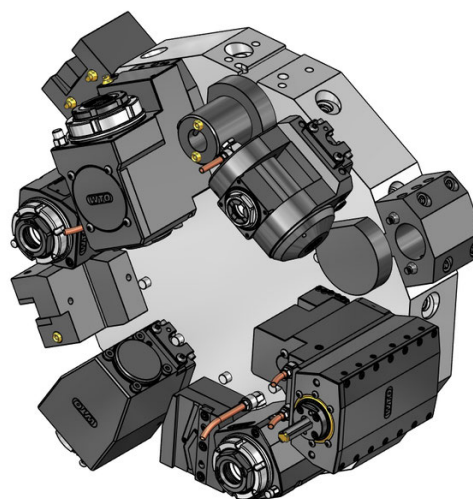
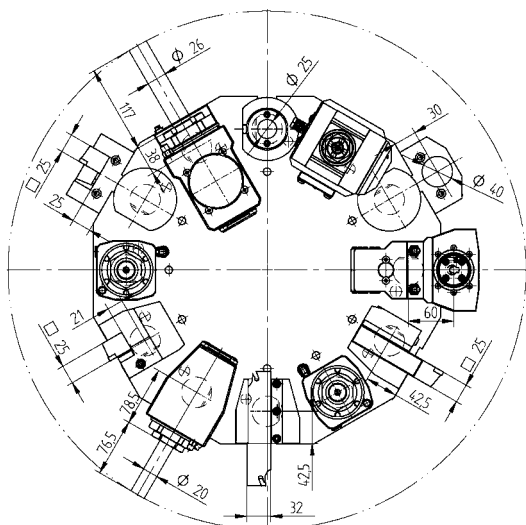
**Cut-off holder, adjustable height, right hand inverted**  
SH 26 48-ARU-40x26  
SH 32 48-ARU-40x32



**Cut-off holder, adjustable height, HP-IC**  
SH 32 48-102690R IC 80 bar  
SH 32 48-102690L IC 80 bar



**Holder for indexable insert drills, internal coolant supply, Form E1**  
 Ø 16 48-E1-40x16  
 Ø 20 48-E1-40x20  
 Ø 25 48-E1-40x25  
 Ø 32 48-E1-40x32  
 Ø 40 48-E1-40x40



Static Toolholders - Standard Program



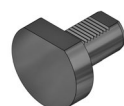
**Boring bar holder, internal coolant supply, Form E2**

- Ø 8      48-E2-40x8
- Ø 10     48-E2-40x10
- Ø 12     48-E2-40x12
- Ø 16     48-E2-40x16
- Ø 20     48-E2-40x20
- Ø 25     48-E2-40x25
- Ø 30     48-E2-40x30
- Ø 32     48-E2-40x32
- Ø 40     48-E2-40x40



**ER collet chuck holder, internal coolant supply, Form E4**

- ER 25**    48-E4-40x25  
 107525000
- ER 32**    48-E4-40x32  
 107532000
- ER 40**    48-E4-40x40  
 107540000



**Plug, steel, Form Z2**  
**Steel**    48-Z2-40-S

Driven Toolholders - QuickFlex®



**Straight drill/milling unit**

- ER-32 QF** 420132077-40R 1:1 EC  
 442145W, T32595  
 0067732000
- ER-32 QF** 420132078-40R 1:1 IC 80 bar  
 0067732000



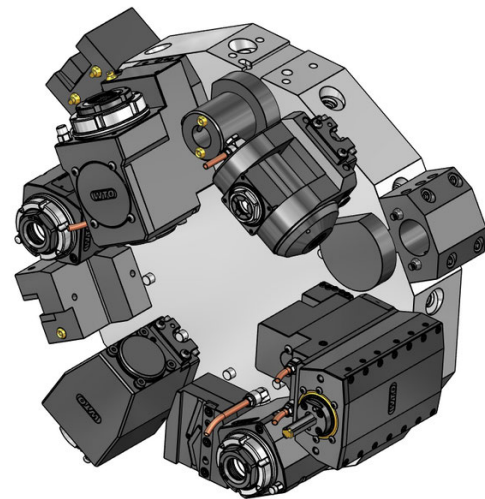
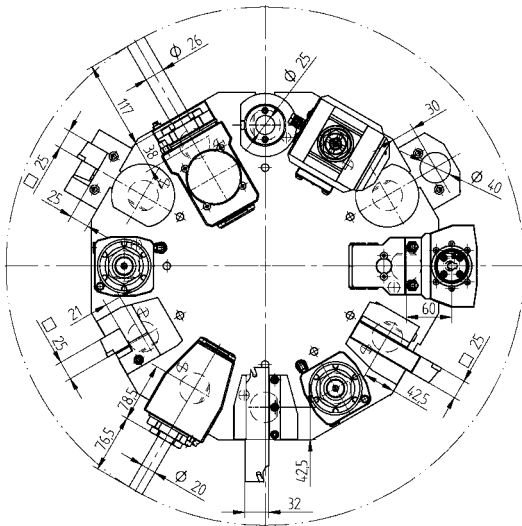
**Right angle drill/milling unit**

- ER-32 QF** 420532042-40R 1:1 EC  
 442275W  
 0067732000
- ER-32 QF** 420532043-40R 1:1 IC 80 bar  
 0067732000



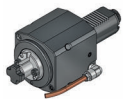
**Right angle back set drill/milling unit**

- ER-32 QF** 420532037-40R 1:1 EC  
 0067732000
- ER-32 QF** 420532038-40R 1:1 IC 80 bar  
 0067732000



Driven Toolholders - Enhanced Program

Driven Toolholders - Enhanced Program



**Straight milling unit with combination mill arbor DIN 6358**

<b>Ø 22</b>	410222025-40	1:1	EC
	00675000479		



**Straight offset drill/milling unit**

<b>ER-32 QF</b>	420132054-40R	1:1	EC
	0067732000		
<b>ER-32 QF</b>	420132055-40R	1:1	IC 80 bar
	0067732000		
<b>ER-25 QF</b>	420125024-40R	1:2	EC
	0067725001		
<b>ER-25 QF</b>	420125025-40R	1:2	IC 80 bar
	0067725001		
<b>ER-32 QF</b>	420132056-40R	2:1	EC
	0067732000		
<b>ER-32 QF</b>	420132057-40R	2:1	IC 80 bar
	0067732000		



**Straight offset drill/milling unit - double VDI serration**

<b>ER 16</b>	410410001-40	1:3	EC
	00675000937		
<b>ER 16</b>	410410002-40	1:3	IC 80 bar
	00675000937		



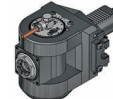
**Right angle drill/milling unit**

<b>ER-25 QF</b>	420525058-40	1:2	EC
	0067725001		
<b>ER-25 QF</b>	420525059-40	1:2	IC 80 bar
	0067725001		



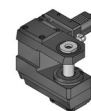
**Right angle back set drill/milling unit**

<b>ER-40 QF</b>	420540027-40R	2:1	EC
	0067740000		
<b>ER-40 QF</b>	420540028-40R	2:1	IC 80 bar
	0067740000		



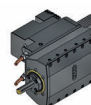
**Adjustable angle drill/milling unit**

<b>ER 20</b>	411013019-40	1:1	EC
	00675000928		
<b>ER 20</b>	411013026-40	1:1	IC 80 bar
	00675000928		
<b>ER 25</b>	411016006-40	1:1	EC
	00675000934		
<b>ER 25</b>	411016024-40	1:1	IC 80 bar
	00675000934		
<b>ER 16</b>	411010012-40	1:2	EC
	00675000936		
<b>ER 16</b>	411010013-40	1:2	IC 80 bar
	00675000936		



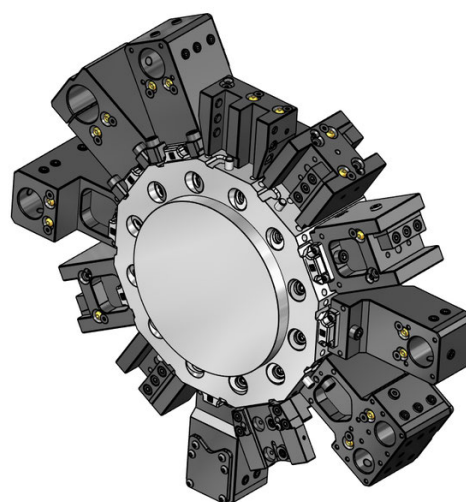
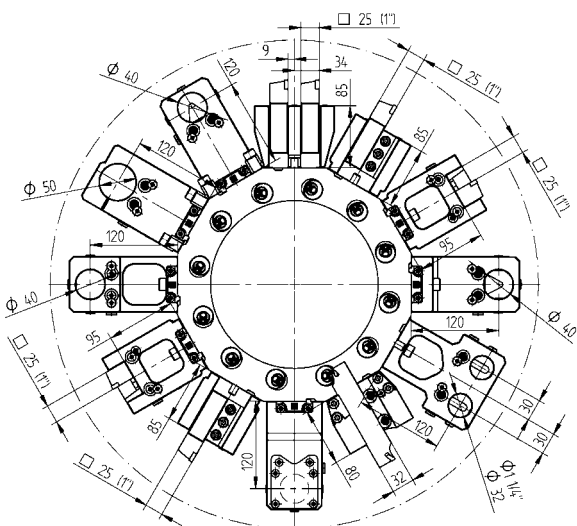
**Offset slitting saw unit**

<b>Type 14-2</b>	411500009-40	2.73:1	EC
	00675000460		
	160016142 Ø 16		
	160022142 Ø 22		
	160027142 Ø 27		
	160015142 Ø 5/8"		
	160019142 Ø 3/4"		
	160023142 Ø 7/8"		
	160025142 Ø 1"		



**Broaching unit for ID and OD**

<b>TN765050</b>	414132002-40	1:1	EC
-----------------	--------------	-----	----



Static Toolholders - Standard Program

- 

**OD cutting holder - double VDI serration**  
 25 48-85982  
 1" 48-86655
- 

**OD cutting holder, both sides**  
 25 48-59098  
 442340
- 

**OD cutting holder, both sides, extended**  
 1" 48-68306
- 

**Face cutting holder**  
 25 48-87589  
 1" 48-87591
- 

**Face cutting holder, Trifix®**  
 25 48-96528  
 1" 48-96974
- 

**Combination toolholder, universal, LF=120**  
 Ø 40 48-64021  
 241140020 ER32  
 Ø 1 1/2" 48-64020
- 

**Combination toolholder, universal, Trifix®, LF=120**  
 Ø 40 48-96530  
 T12138  
 241140020 ER32  
 241140026 ER40

Static Toolholders - Standard Program

- 

**Combination toolholder, back set - double VDI serration, LF=120**  
 Ø 40 48-110591  
 241140020 ER32  
 Ø 1 1/2" 48-78916
- 

**Combination toolholder, back set, left hand, Trifix®, LF=120**  
 Ø 40 48-110694  
 241140026 ER40  
 241140020 ER32
- 

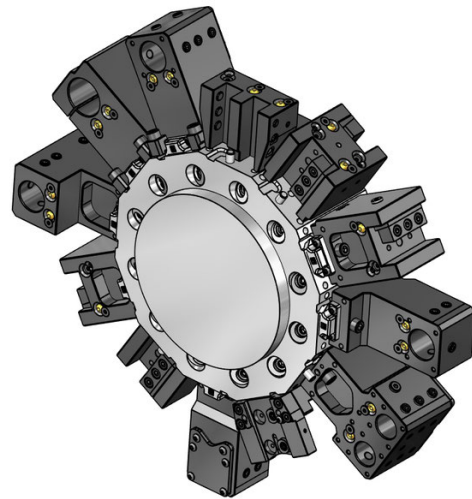
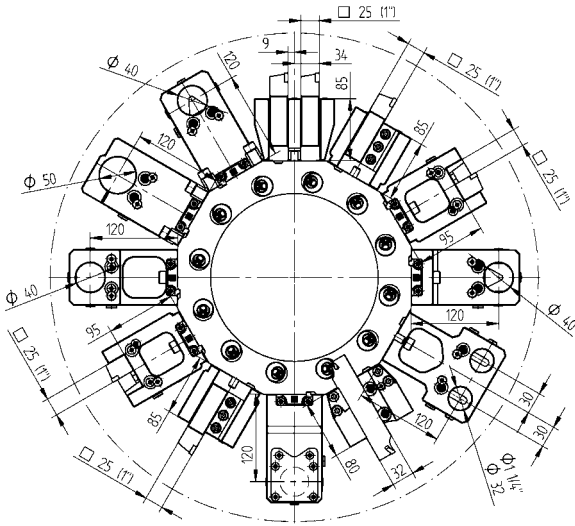
**Combination toolholder, back set, right hand, Trifix®, LF=120**  
 Ø 40 48-97044  
 241140020 ER32  
 241140026 ER40
- 

**Combination toolholder, both sides, LF=120**  
 Ø 40 48-97388
- 

**Combination toolholder, both sides, Trifix®, LF=120**  
 Ø 40 48-97036  
 T12139
- 

**Collet face drill holder, both sides, LF=120**  
 ER 32 48-66629 IC 80 bar  
 107532000  
 ER 40 48-97389 IC 80 bar  
 107540000





Static Toolholders - Standard Program



**Collet face drill holder, both sides, Trifix®, LF=120**

**ER 32** 48-97051 IC 80 bar  
 107532000

**ER 40** 48-97052 IC 80 bar  
 107540000



**Plug, steel, Form Z2**

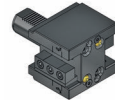
**Steel** 48-Z2-40-S

Static Toolholders - Enhanced Program



**OD cutting holder, HP-IC - double VDI serration**

**25** 48-105986-HP IC 80 bar  
**1"** 48-110821-HP IC 80 bar



**OD cutting holder, both sides, HP-IC**

**25** 48-59098-HP  
**1"** 48-110817-HP



**OD cutting holder, double, Y axis - double VDI serration**

**25(1")** 48-86080



**OD cutting holder, both sides, double, Y axis**

**25(1")** 48-89779



**Cut-off holder, adjustable - double VDI serration**

**SH 32** 48-98963  
 R9Z455, T00460,  
 T00461



**Cut-off holder, adjustable, HP-IC - double VDI serration**

**SH 32** 48-102643R IC 80 bar  
**SH 32** 48-102643L IC 80 bar



**Cut-off holder, adjustable, long, HP-IC - double VDI serration**

**SH 32** 48-99091R IC 80 bar  
 343-810100R8  
**SH 32** 48-99091L IC 80 bar  
 343-810100L8

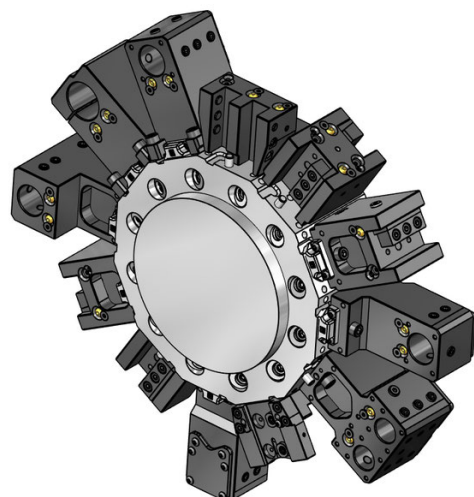
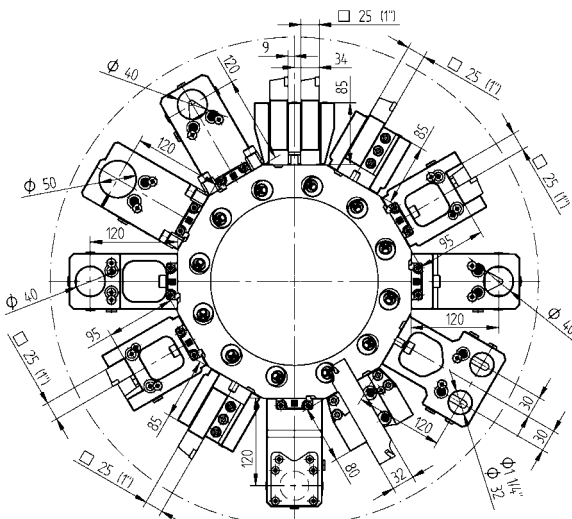


**Combination toolholder, back set, left hand, Trifix®, LF=120 - BMT**


**Ø 40** 48-111059  
 241140020 ER32



241140026 ER40








Static Toolholders - Enhanced Program




**Combination toolholder, universal, Trifix®, LF=120 - BMT**  
 Ø 40 48-97097  
 241140020 ER32  
 241140026 ER40




**Combination toolholder, back set, right hand, Trifix®, LF=120 - BMT**  
 Ø 40 48-97164  
 241140020 ER32  
 241140026 ER40






**Combination toolholder, both sides, Trifix®, LF=120 - BMT**  
 Ø 40 48-97105





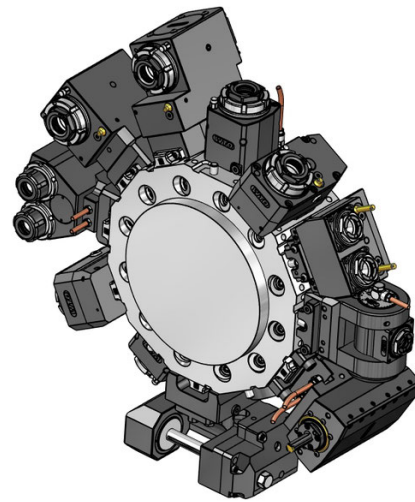
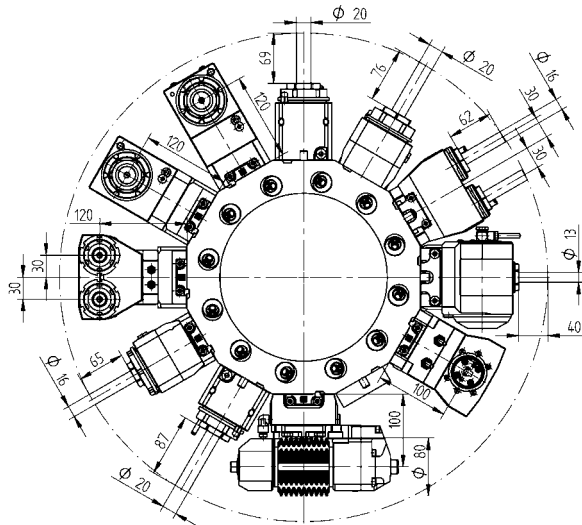
**Boring bar holder, with slot, Trifix®, LF=120 - BMT**  
 Ø 50 48-97257



**Combination toolholder, universal, double, Y axis, LF=120**  
 Ø 32 48-86296  
 241132016 ER25  
 241132020 ER32  
 Ø 1 1/4" 48-86234



**Combination toolholder, universal, double, Y axis, Trifix®, L=120**  
 Ø 32 48-96531  
 241132016 ER25  
 241132020 ER32



Driven Toolholders - QuickFlex®

Driven Toolholders - QuickFlex®



**Straight drill/milling unit (6000 RPM)**

**ER-32 QF** 420132077-40L 1:1 EC  
0067732000

**ER-32 QF** 420132078-40L 1:1 IC 80 bar  
0067732000



**Straight drill/milling unit (10000 RPM)**

**ER-32 QF** 420132069-40L 1:1 EC  
442141W  
0067732000

**ER-32 QF** 420132070-40L 1:1 IC 80 bar  
0067732000



**Right angle drill/milling unit, Trifix®, LF=120, (6000 RPM)**

**ER-32 QF** 420532018-40L 1:1 EC  
T32591  
0067732000

**ER-32 QF** 420532019-40L 1:1 IC 80 bar  
0067732000



**Right angle drill/milling unit, Trifix®, LF=120, (10000 RPM)**

**ER-32 QF** 420532026-40L 1:1 EC  
T32593  
0067732000

**ER-32 QF** 420532027-40L 1:1 IC 80 bar  
0067732000



**Right angle drill/milling unit, Trifix®, LF=120, (6000 RPM)**

**ER-32 QF** 420532018-40R 1:1 EC  
T32592  
0067732000

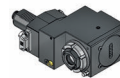
**ER-32 QF** 420532019-40R 1:1 IC 80 bar  
0067732000



**Right angle drill/milling unit, Trifix®, LF=120, (10000 RPM)**

**ER-32 QF** 420532026-40R 1:1 EC  
T32594  
0067732000

**ER-32 QF** 420532027-40R 1:1 IC 80 bar  
0067732000



**Right angle back set drill/milling unit, Trifix®, LF=120, (6000 RPM)**

**ER-32 QF** 420532034-40L 1:1 EC  
0067732000

**ER-32 QF** 420532035-40L 1:1 IC 80 bar  
0067732000



**Right angle back set drill/milling unit, Trifix®, LF=120, (10000 RPM)**

**ER-32 QF** 420532064-40L 1:1 EC  
0067732000

**ER-32 QF** 420532065-40L 1:1 IC 80 bar  
0067732000



**Right angle back set drill/milling unit, Trifix®, LF=120, (6000 RPM)**

**ER-32 QF** 420532034-40R 1:1 EC  
0067732000

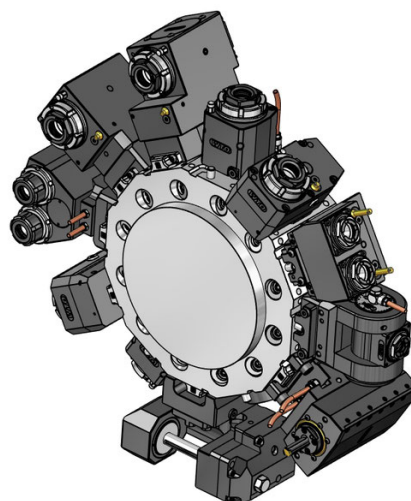
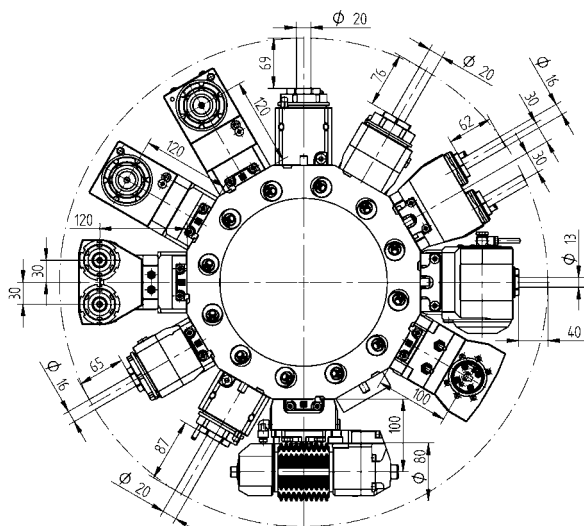
**ER-32 QF** 420532035-40R 1:1 IC 80 bar  
0067732000



**Right angle back set drill/milling unit, Trifix®, LF=120, (10000 RPM)**

**ER-32 QF** 420532064-40R 1:1 EC  
0067732000

**ER-32 QF** 420532065-40R 1:1 IC 80 bar  
0067732000



Driven Toolholders - QuickFlex®

**Right angle drill/milling unit, both sides, Trifix®, LF=120, (6000 RPM)**  
**ER-32 QF** 420532020-40 1:1 EC  
 T32597  
 0067732000

**Right angle drill/milling unit, both sides, Trifix®, LF=120, (10000 RPM)**  
**ER-32 QF** 420532127-40 1:1 EC  
 0067732000

Driven Toolholders - Enhanced Program

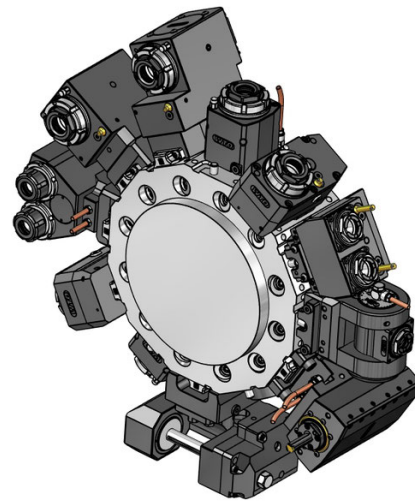
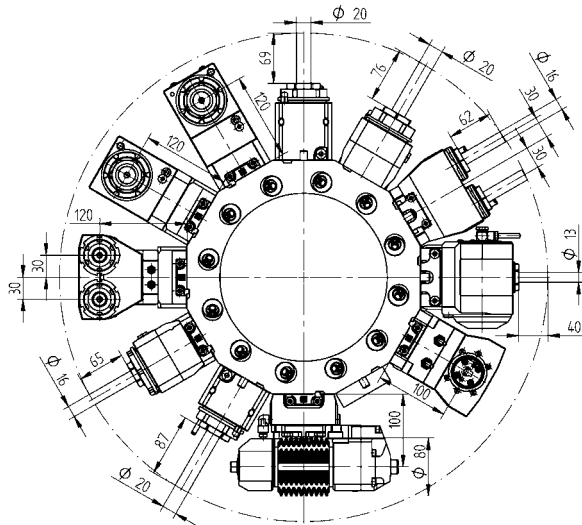
**Straight drill/milling unit - BMT**  
**ER-40 QF** 420140010-40 1:1 EC  
 0067740000  
**ER-40 QF** 420140011-40 1:1 IC 80 bar  
 0067740000

**Straight milling unit with combination mill arbor DIN 6358**  
**Ø 22** 410222025-40 1:1 EC  
 00675000479

**Straight milling unit - BMT - with combination mill arbor DIN 6358**  
**Ø 22** 410222022-40 1:1 EC  
 00675000479  
**Ø 27** 410227010-40 1:1 EC  
 00675000480

**Straight offset drill/milling unit**  
**ER-32 QF** 420132054-40L 1:1 EC  
 0067732000  
**ER-32 QF** 420132055-40L 1:1 IC 80 bar  
 0067732000  
**ER-25 QF** 420125024-40L 1:2 EC  
 0067725001  
**ER-25 QF** 420125025-40L 1:2 IC 80 bar  
 0067725001  
**ER-32 QF** 420132056-40L 2:1 EC  
 0067732000  
**ER-32 QF** 420132057-40L 2:1 IC 80 bar  
 0067732000

**Straight offset drill/milling unit, Trifix®**  
**ER-25 QF** 420125039-40L 1:2 EC  
 0067725001  
**ER-25 QF** 420125038-40L 1:2 IC 80 bar  
 0067725001



Driven Toolholders - Enhanced Program



**Straight offset drill/milling unit, Trifix®**

- ER-25 QF** 420125039-40R 1:2 EC  
0067725001
- ER-25 QF** 420125038-40R 1:2 IC 80 bar  
0067725001



**Right angle drill/milling unit, Trifix®, LF=100 - BMT**

- ER-32 QF** 420532028-40L 1:1 EC  
0067732000
- ER-32 QF** 420532029-40L 1:1 IC 80 bar  
0067732000
- ER-40 QF** 420540010-40L 2:1 EC  
0067740000
- ER-40 QF** 420540011-40L 2:1 IC 80 bar  
0067740000



**Right angle drill/milling unit, Trifix®, LF=100 - BMT**

- ER-32 QF** 420532028-40R 1:1 EC  
0067732000
- ER-32 QF** 420532029-40R 1:1 IC 80 bar  
0067732000
- ER-40 QF** 420540010-40R 2:1 EC  
0067740000
- ER-40 QF** 420540011-40R 2:1 IC 80 bar  
0067740000

Driven Toolholders - Enhanced Program



**Right angle drill/milling unit, Trifix®, LF=120 - BMT**

- ER-32 QF** 420532030-40L 1:1 EC  
0067732000
- ER-32 QF** 420532031-40L 1:1 IC 80 bar  
0067732000
- ER-40 QF** 420540014-40L 1:1 EC  
0067740000
- ER-40 QF** 420540015-40L 1:1 IC 80 bar  
0067740000



**Right angle drill/milling unit, Trifix®, LF=120 - BMT**

- ER-32 QF** 420532030-40R 1:1 EC  
0067732000
- ER-32 QF** 420532031-40R 1:1 IC 80 bar  
0067732000
- ER-40 QF** 420540014-40R 1:1 EC  
0067740000
- ER-40 QF** 420540015-40R 1:1 IC 80 bar  
0067740000



**Right angle drill/milling unit, Trifix®, LF=120**

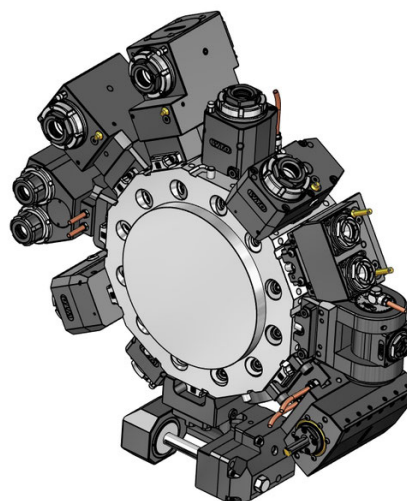
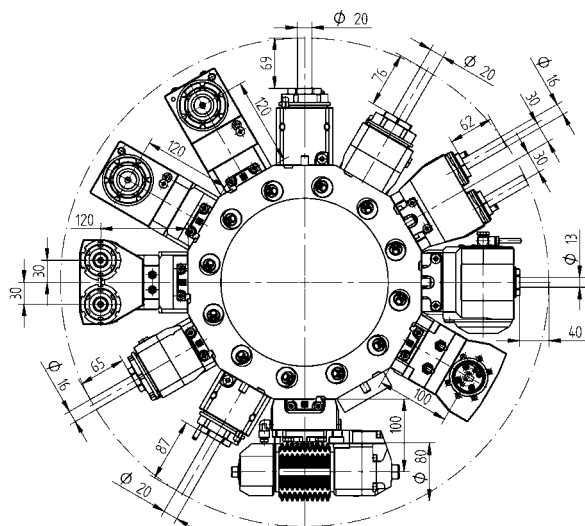
- ER-25 QF** 420525019-40L 1:2 EC  
0067725000
- ER-25 QF** 420525020-40L 1:2 IC 80 bar  
0067725000



**Right angle drill/milling unit, Trifix®, LF=120**

- ER-25 QF** 420525019-40R 1:2 EC  
0067725000
- ER-25 QF** 420525020-40R 1:2 IC 80 bar  
0067725000





Driven Toolholders - Enhanced Program

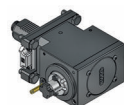
Driven Toolholders - Enhanced Program



**Right angle drill/milling unit, both sides, Trifix®, LF=120 - BMT**  
**ER-40 QF** 420540016-40 1:1 EC  
 0067740000



**Right angle milling unit with combination mill arbor DIN 6358, double VDI serration, LF=100**  
**Ø 22** 410622028-40 2:1 EC  
 00675000160  
**Ø 27** 410627015-40 2:1 EC  
 00675000211



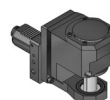
**Right angle milling unit with combination mill arbor DIN 6358, Trifix®, LF=100 - BMT**  
**Ø 22** 410622031-40L 2:1 EC  
 00675000160  
**Ø 27** 410627016-40L 2:1 EC  
 00675000211



**Right angle milling unit with combination mill arbor DIN 6358, Trifix®, LF=100 - BMT**  
**Ø 22** 410622031-40R 2:1 EC  
 00675000160  
**Ø 27** 410627016-40R 2:1 EC  
 00675000211

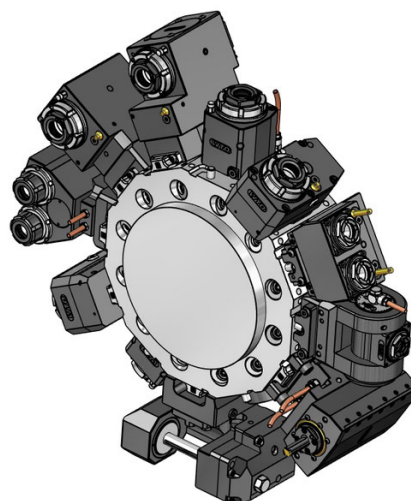
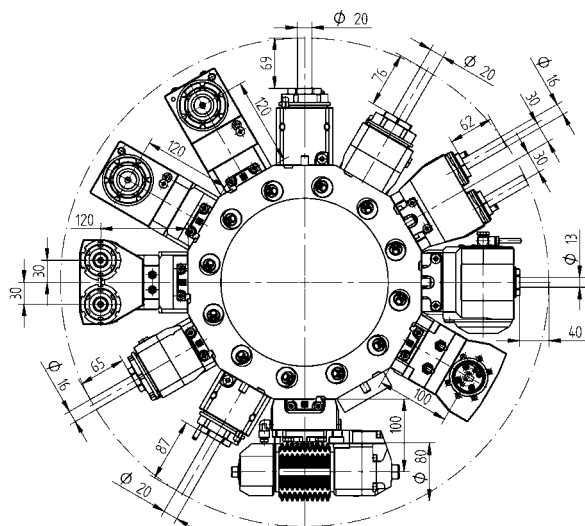


**Adjustable angle drill/milling unit**  
**ER 20** 411013018-40 1:1 EC  
 00675000928  
**ER 20** 411013029-40 1:1 IC 80 bar  
 00675000928  
**ER 16** 411010030-40 1:2 EC  
 00675000936  
**ER 16** 411010031-40 1:2 IC 80 bar  
 00675000936



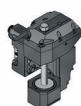
**Slitting saw unit**  
**Type 14-2** 410900013-40 2.62:1 EC  
 00675000460  
 160016142 Ø 16  
 160022142 Ø 22  
 160027142 Ø 27  
 160015142 Ø 5/8"  
 160019142 Ø 3/4"  
 160023142 Ø 7/8"  
 160025142 Ø 1"





Driven Toolholders - Enhanced Program

Driven Toolholders - Enhanced Program



**Gear hobbing unit, Trifix®**

**Type 16-1** 411500041-40L 1:1 EC

- 00675000926
- 160016161 Ø 16
- 160022161 Ø 22
- 160027161 Ø 27
- 160015161 Ø 5/8"
- 160019161 Ø 3/4"
- 160025161 Ø 1"
- 160031161 Ø 1 1/4"
- 110587

**Type 16-1** 411500037-40L 2:1 EC

- 00675000926
- 160016161 Ø 16
- 160022161 Ø 22
- 160027161 Ø 27
- 160015161 Ø 5/8"
- 160019161 Ø 3/4"
- 160025161 Ø 1"
- 160031161 Ø 1 1/4"
- 110587



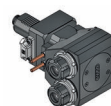
**Drill/milling unit - double, Y axis**

**ER 25** 413002034-40 1:1.5 EC

00675000930

**ER 25** 413002035-40 1:1.5 IC 80 bar

00675000930



**2-spindle - Face drill/milling unit, Y axis, LF=120, Trifix®**

**ER 25** 413502024-40L 1:1 EC

00675000915

**ER 25** 413502025-40L 1:1 IC 80 bar

00675000915



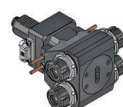
**2-spindle - Face drill/milling unit, Y axis, LF=120, Trifix®**

**ER 25** 413502024-40R 1:1 EC

00675000915

**ER 25** 413502025-40R 1:1 IC 80 bar

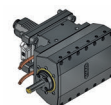
00675000915



**2-spindle - Face drill/milling unit, both sides, Y axis, LF=120, Trifix®**

**ER 25** 413502026-40 1:1 EC

00675000915



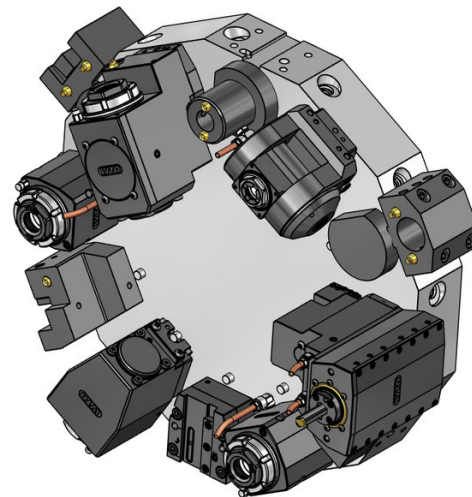
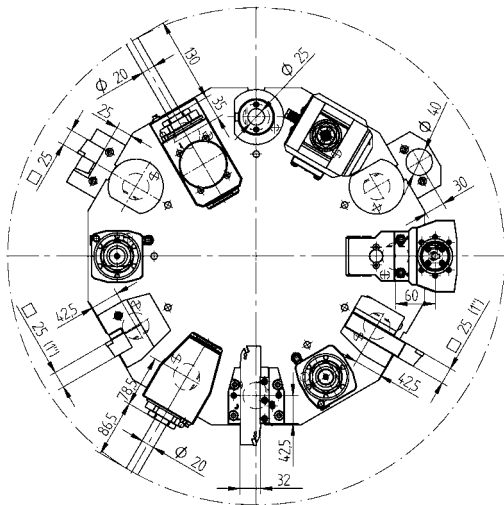
**Broaching unit for ID and OD, Trifix®, LF=100 - BMT**

**TN765050** 414532007-40L 1:1 EC



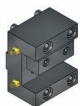
**Broaching unit for ID and OD, Trifix®, LF=100 - BMT**

**TN765050** 414532007-40R 1:1 EC



Static Toolholders - Standard Program

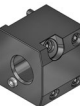
Static Toolholders - Standard Program



**Face cutting holder**  
 25 48-PU2-25-25



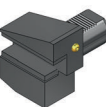
**Combination toolholder**  
 Ø 20 48-PU1-25-20 IC 80 bar  
 Ø 25 48-PU1-25-25 IC 80 bar  
 Ø 32 48-PU1-25-32 IC 80 bar  
 Ø 40 48-PU1-25-40 IC 80 bar  
 Ø 50 48-PU1-25-50 IC 80 bar



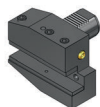
**VDI adapter, right**  
 VDI 40 48-99856



**Radial square toolholder, right hand, short, Form B1**  
 25(20) 48-B1-40x25



**Radial square toolholder, right hand inverted, short, Form B3**  
 25(20) 48-B3-40x25



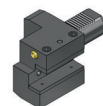
**Radial square toolholder, right hand, long, Form B5**  
 25(20) 48-B5-40x25  
 1" 48-B5-40x100



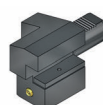
**Radial square toolholder, right hand inverted, long, Form B7**  
 25(20) 48-B7-40x25  
 1" 48-B7-40x100



**Radial square toolholder, HP-IC - double VDI serration**  
 25 48-105989R-HP IC 80 bar  
 343-810100R71  
 25 48-102790L-HP IC 80 bar



**Axial square toolholder, right hand, Form C1**  
 25(20) 48-C1-40x25



**Axial square toolholder, right hand inverted, Form C3**  
 25(20) 48-C3-40x25



**Cut-off holder, adjustable height, right hand**  
 SH 26 48-AR-40x26  
 SH 32 48-AR-40x32



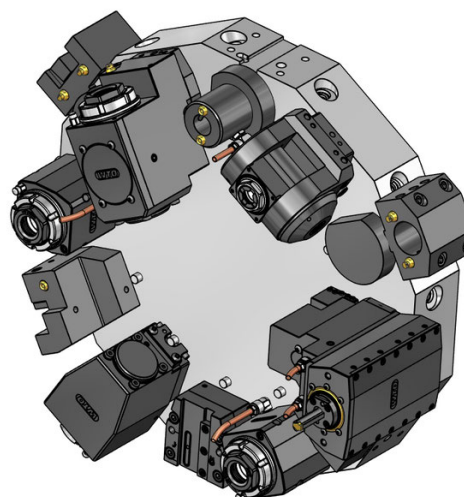
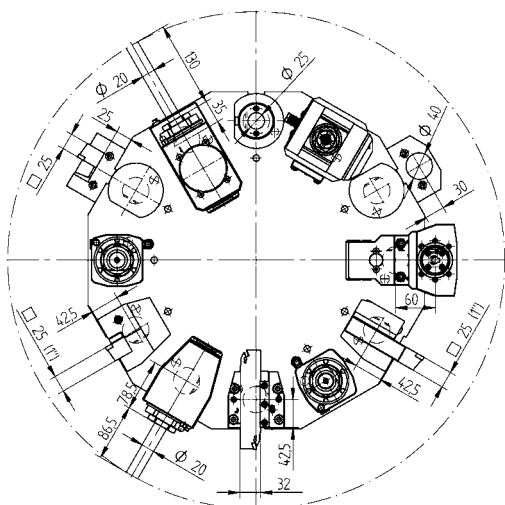
**Cut-off holder, adjustable height, right hand inverted**  
 SH 26 48-ARU-40x26  
 SH 32 48-ARU-40x32



**Cut-off holder, adjustable height, HP-IC**  
 SH 32 48-102690R IC 80 bar  
 SH 32 48-102690L IC 80 bar



**Holder for indexable insert drills, internal coolant supply, Form E1**  
 Ø 16 48-E1-40x16  
 Ø 20 48-E1-40x20  
 Ø 25 48-E1-40x25  
 Ø 32 48-E1-40x32  
 Ø 40 48-E1-40x40



Static Toolholders - Standard Program



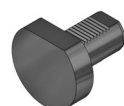
**Boring bar holder, internal coolant supply, Form E2**

- Ø 8      48-E2-40x8
- Ø 10     48-E2-40x10
- Ø 12     48-E2-40x12
- Ø 16     48-E2-40x16
- Ø 20     48-E2-40x20
- Ø 25     48-E2-40x25
- Ø 30     48-E2-40x30
- Ø 32     48-E2-40x32
- Ø 40     48-E2-40x40



**ER collet chuck holder, internal coolant supply, Form E4**

- ER 25**    48-E4-40x25  
 107525000
- ER 32**    48-E4-40x32  
 107532000
- ER 40**    48-E4-40x40  
 107540000



**Plug, steel, Form Z2**

- Steel**    48-Z2-40-S

Driven Toolholders - QuickFlex®



**Straight drill/milling unit**

- ER-32 QF** 420132077-40R 1:1 EC  
 442145W, T32595  
 0067732000

- ER-32 QF** 420132078-40R 1:1 IC 80 bar  
 0067732000



**Right angle drill/milling unit**

- ER-32 QF** 420532042-40R 1:1 EC  
 442275W  
 0067732000

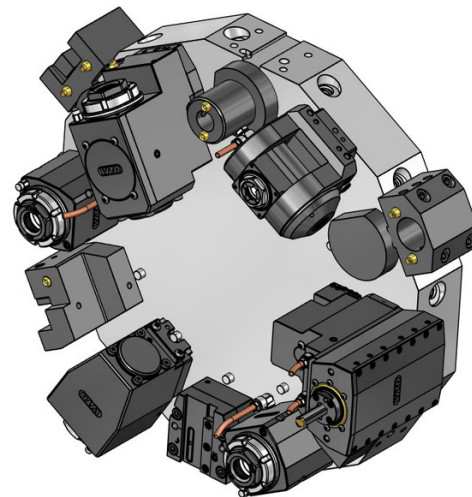
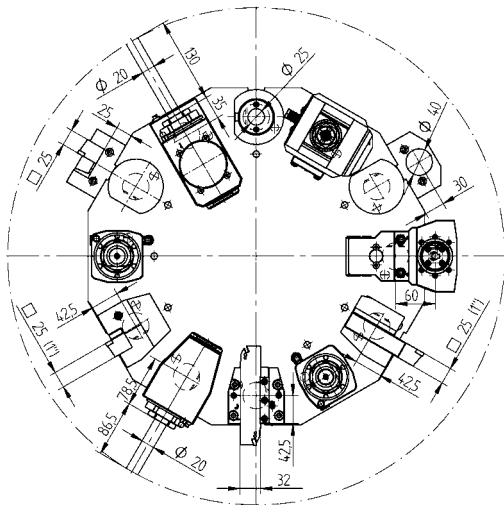
- ER-32 QF** 420532043-40R 1:1 IC 80 bar  
 0067732000



**Right angle back set drill/milling unit**

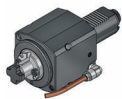
- ER-32 QF** 420532037-40R 1:1 EC  
 0067732000

- ER-32 QF** 420532038-40R 1:1 IC 80 bar  
 0067732000



Driven Toolholders - Enhanced Program

Driven Toolholders - Enhanced Program



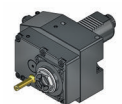
**Straight milling unit with combination mill arbor DIN 6358**

<b>Ø 22</b>	410222025-40	1:1	EC
	00675000479		



**Straight offset drill/milling unit**

<b>ER-32 QF</b>	420132054-40R	1:1	EC
	0067732000		
<b>ER-32 QF</b>	420132055-40R	1:1	IC 80 bar
	0067732000		
<b>ER-25 QF</b>	420125024-40R	1:2	EC
	0067725001		
<b>ER-25 QF</b>	420125025-40R	1:2	IC 80 bar
	0067725001		
<b>ER-32 QF</b>	420132056-40R	2:1	EC
	0067732000		
<b>ER-32 QF</b>	420132057-40R	2:1	IC 80 bar
	0067732000		



**Straight offset drill/milling unit - double VDI serration**

<b>ER 16</b>	410410001-40	1:3	EC
	00675000937		
<b>ER 16</b>	410410002-40	1:3	IC 80 bar
	00675000937		



**Right angle drill/milling unit**

<b>ER-25 QF</b>	420525058-40	1:2	EC
	0067725001		
<b>ER-25 QF</b>	420525059-40	1:2	IC 80 bar
	0067725001		



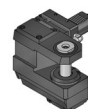
**Right angle back set drill/milling unit**

<b>ER-40 QF</b>	420540027-40R	2:1	EC
	0067740000		
<b>ER-40 QF</b>	420540028-40R	2:1	IC 80 bar
	0067740000		



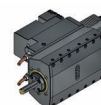
**Adjustable angle drill/milling unit**

<b>ER 20</b>	411013019-40	1:1	EC
	00675000928		
<b>ER 20</b>	411013026-40	1:1	IC 80 bar
	00675000928		
<b>ER 25</b>	411016006-40	1:1	EC
	00675000934		
<b>ER 25</b>	411016024-40	1:1	IC 80 bar
	00675000934		
<b>ER 16</b>	411010012-40	1:2	EC
	00675000936		
<b>ER 16</b>	411010013-40	1:2	IC 80 bar
	00675000936		



**Offset slitting saw unit**

<b>Type 14-2</b>	411500009-40	2.73:1	EC
	00675000460		
	160016142 Ø 16		
	160022142 Ø 22		
	160027142 Ø 27		
	160015142 Ø 5/8"		
	160019142 Ø 3/4"		
	160023142 Ø 7/8"		
	160025142 Ø 1"		

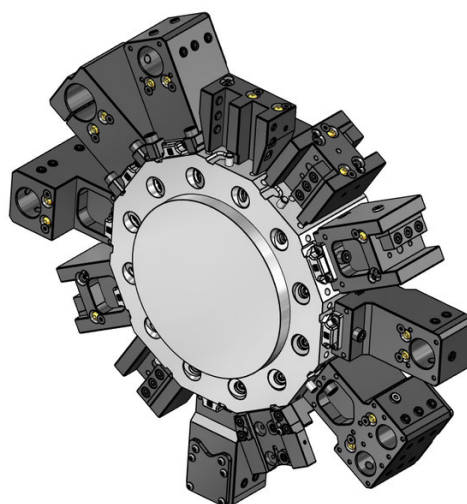
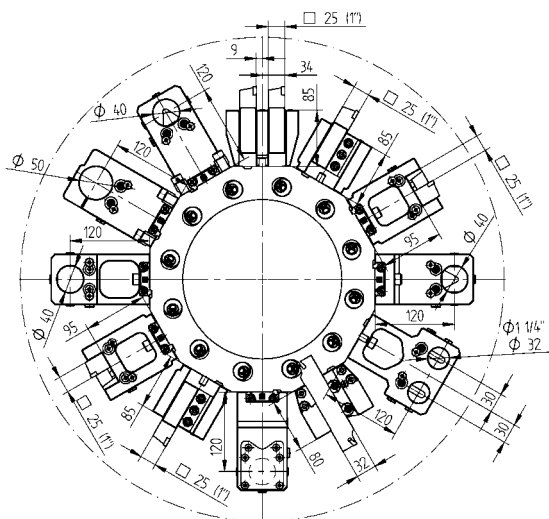


**Broaching unit for ID and OD**

<b>TN765050</b>	414132002-40	1:1	EC
-----------------	--------------	-----	----







Static Toolholders - Standard Program



**Collet face drill holder, both sides, Trifix®, LF=120**

**ER 32** 48-97051 IC 80 bar  
 107532000

**ER 40** 48-97052 IC 80 bar  
 107540000



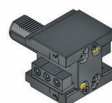
**Plug, steel, Form Z2**  
**Steel** 48-Z2-40-S

Static Toolholders - Enhanced Program



**OD cutting holder, HP-IC - double VDI serration**

**25** 48-105986-HP IC 80 bar  
**1"** 48-110821-HP IC 80 bar



**OD cutting holder, both sides, HP-IC**

**25** 48-59098-HP  
**1"** 48-110817-HP



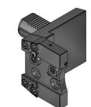
**OD cutting holder, double, Y axis - double VDI serration**

**25(1")** 48-86080



**OD cutting holder, both sides, double, Y axis**

**25(1")** 48-89779



**Cut-off holder, adjustable - double VDI serration**

**SH 32** 48-98963  
 R9Z455, T00460,  
 T00461



**Cut-off holder, adjustable, HP-IC - double VDI serration**

**SH 32** 48-102643R IC 80 bar  
**SH 32** 48-102643L IC 80 bar



**Cut-off holder, adjustable, long, HP-IC - double VDI serration**

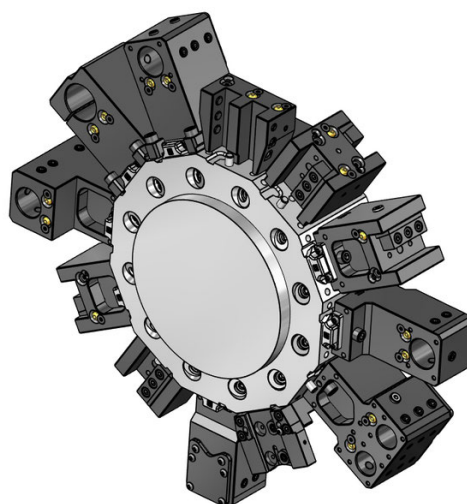
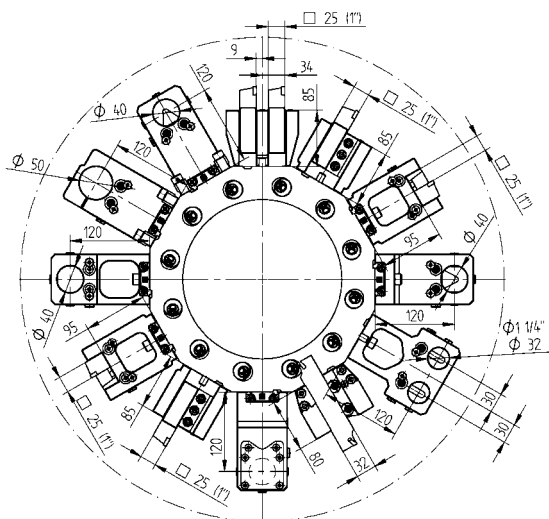
**SH 32** 48-99091R IC 80 bar  
 343-810100R8  
**SH 32** 48-99091L IC 80 bar  
 343-810100L8



**Combination toolholder, back set, left hand, Trifix®, LF=120 - BMT**

**Ø 40** 48-111059  
 241140020 ER32

241140026 ER40



Static Toolholders - Enhanced Program



**Combination toolholder, universal, Trifix®, LF=120 - BMT**

- Ø 40 48-97097
- 241140020 ER32
- 241140026 ER40



**Combination toolholder, back set, right hand, Trifix®, LF=120 - BMT**

- Ø 40 48-97164
- 241140020 ER32
- 241140026 ER40



**Combination toolholder, both sides, Trifix®, LF=120 - BMT**

- Ø 40 48-97105



**Boring bar holder, with slot, Trifix®, LF=120 - BMT**

- Ø 50 48-97257



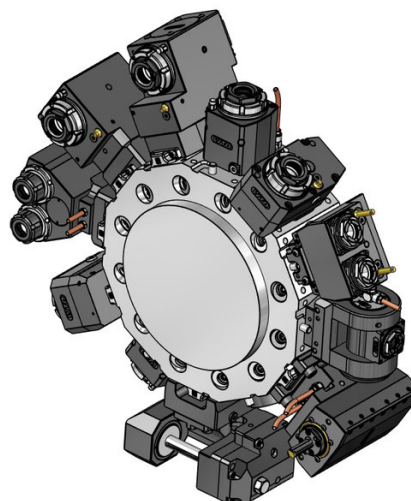
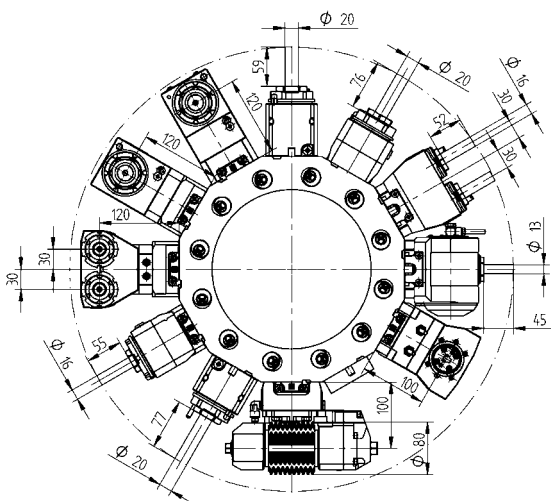
**Combination toolholder, universal, double, Y axis, LF=120**

- Ø 32 48-86296
- 241132016 ER25
- 241132020 ER32
- Ø 1 1/4" 48-86234



**Combination toolholder, universal, double, Y axis, Trifix®, L=120**

- Ø 32 48-96531
- 241132016 ER25
- 241132020 ER32



Driven Toolholders - QuickFlex®

Driven Toolholders - QuickFlex®

- Straight drill/milling unit (6000 RPM)**
- ER-32 QF** 420132077-40L 1:1 EC  
0067732000
  - ER-32 QF** 420132078-40L 1:1 IC 80 bar  
0067732000

- Straight drill/milling unit (10000 RPM)**
- ER-32 QF** 420132069-40L 1:1 EC  
442141W  
0067732000
  - ER-32 QF** 420132070-40L 1:1 IC 80 bar  
0067732000

- Right angle drill/milling unit, Trifix®, LF=120, (6000 RPM)**
- ER-32 QF** 420532018-40L 1:1 EC  
T32591  
0067732000
  - ER-32 QF** 420532019-40L 1:1 IC 80 bar  
0067732000

- Right angle drill/milling unit, Trifix®, LF=120, (10000 RPM)**
- ER-32 QF** 420532026-40L 1:1 EC  
T32593  
0067732000
  - ER-32 QF** 420532027-40L 1:1 IC 80 bar  
0067732000

- Right angle drill/milling unit, Trifix®, LF=120, (6000 RPM)**
- ER-32 QF** 420532018-40R 1:1 EC  
T32592  
0067732000
  - ER-32 QF** 420532019-40R 1:1 IC 80 bar  
0067732000

- Right angle drill/milling unit, Trifix®, LF=120, (10000 RPM)**
- ER-32 QF** 420532026-40R 1:1 EC  
T32594  
0067732000
  - ER-32 QF** 420532027-40R 1:1 IC 80 bar  
0067732000

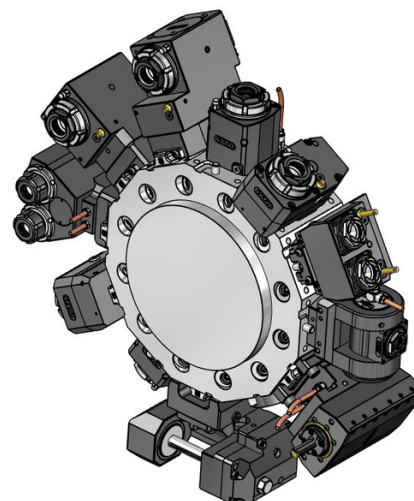
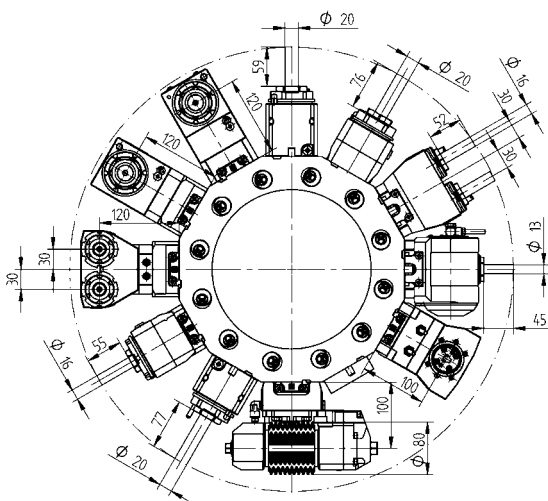
- Right angle back set drill/milling unit, Trifix®, LF=120, (6000 RPM)**
- ER-32 QF** 420532034-40L 1:1 EC  
0067732000
  - ER-32 QF** 420532035-40L 1:1 IC 80 bar  
0067732000

- Right angle back set drill/milling unit, Trifix®, LF=120, (10000 RPM)**
- ER-32 QF** 420532064-40L 1:1 EC  
0067732000
  - ER-32 QF** 420532065-40L 1:1 IC 80 bar  
0067732000

- Right angle back set drill/milling unit, Trifix®, LF=120, (6000 RPM)**
- ER-32 QF** 420532034-40R 1:1 EC  
0067732000
  - ER-32 QF** 420532035-40R 1:1 IC 80 bar  
0067732000

- Right angle back set drill/milling unit, Trifix®, LF=120, (10000 RPM)**
- ER-32 QF** 420532064-40R 1:1 EC  
0067732000
  - ER-32 QF** 420532065-40R 1:1 IC 80 bar  
0067732000





Driven Toolholders - QuickFlex®

**Right angle drill/milling unit, both sides, Trifix®, LF=120, (6000 RPM)**  
**ER-32 QF** 420532020-40 1:1 EC  
 T32597  
 0067732000

**Right angle drill/milling unit, both sides, Trifix®, LF=120, (10000 RPM)**  
**ER-32 QF** 420532127-40 1:1 EC  
 0067732000

Driven Toolholders - Enhanced Program

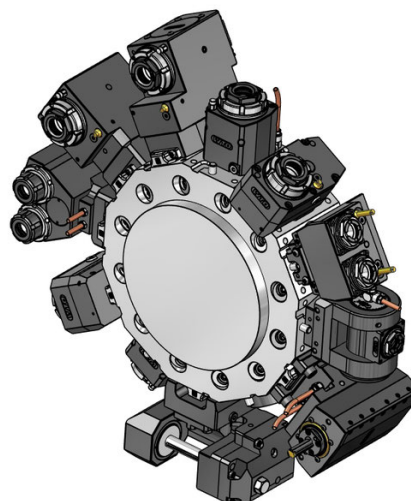
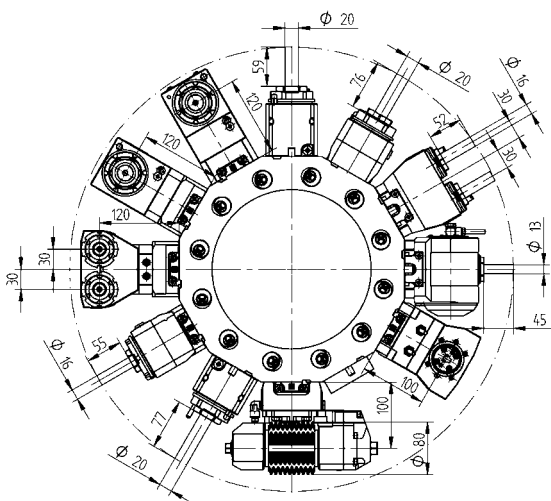
**Straight drill/milling unit - BMT**  
**ER-40 QF** 420140010-40 1:1 EC  
 0067740000  
**ER-40 QF** 420140011-40 1:1 IC 80 bar  
 0067740000

**Straight milling unit with combination mill arbor DIN 6358**  
**Ø 22** 410222025-40 1:1 EC  
 00675000479

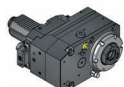
**Straight milling unit - BMT - with combination mill arbor DIN 6358**  
**Ø 22** 410222022-40 1:1 EC  
 00675000479  
**Ø 27** 410227010-40 1:1 EC  
 00675000480

**Straight offset drill/milling unit**  
**ER-32 QF** 420132054-40L 1:1 EC  
 0067732000  
**ER-32 QF** 420132055-40L 1:1 IC 80 bar  
 0067732000  
**ER-25 QF** 420125024-40L 1:2 EC  
 0067725001  
**ER-25 QF** 420125025-40L 1:2 IC 80 bar  
 0067725001  
**ER-32 QF** 420132056-40L 2:1 EC  
 0067732000  
**ER-32 QF** 420132057-40L 2:1 IC 80 bar  
 0067732000

**Straight offset drill/milling unit, Trifix®**  
**ER-25 QF** 420125039-40L 1:2 EC  
 0067725001  
**ER-25 QF** 420125038-40L 1:2 IC 80 bar  
 0067725001



Driven Toolholders - Enhanced Program



**Straight offset drill/milling unit, Trifix®**

- ER-25 QF** 420125039-40R 1:2 EC  
0067725001
- ER-25 QF** 420125038-40R 1:2 IC 80 bar  
0067725001



**Right angle drill/milling unit, Trifix®, LF=100 - BMT**

- ER-32 QF** 420532028-40L 1:1 EC  
0067732000
- ER-32 QF** 420532029-40L 1:1 IC 80 bar  
0067732000
- ER-40 QF** 420540010-40L 2:1 EC  
0067740000
- ER-40 QF** 420540011-40L 2:1 IC 80 bar  
0067740000



**Right angle drill/milling unit, Trifix®, LF=100 - BMT**

- ER-32 QF** 420532028-40R 1:1 EC  
0067732000
- ER-32 QF** 420532029-40R 1:1 IC 80 bar  
0067732000
- ER-40 QF** 420540010-40R 2:1 EC  
0067740000
- ER-40 QF** 420540011-40R 2:1 IC 80 bar  
0067740000

Driven Toolholders - Enhanced Program



**Right angle drill/milling unit, Trifix®, LF=120 - BMT**

- ER-32 QF** 420532030-40L 1:1 EC  
0067732000
- ER-32 QF** 420532031-40L 1:1 IC 80 bar  
0067732000
- ER-40 QF** 420540014-40L 1:1 EC  
0067740000
- ER-40 QF** 420540015-40L 1:1 IC 80 bar  
0067740000



**Right angle drill/milling unit, Trifix®, LF=120 - BMT**

- ER-32 QF** 420532030-40R 1:1 EC  
0067732000
- ER-32 QF** 420532031-40R 1:1 IC 80 bar  
0067732000
- ER-40 QF** 420540014-40R 1:1 EC  
0067740000
- ER-40 QF** 420540015-40R 1:1 IC 80 bar  
0067740000



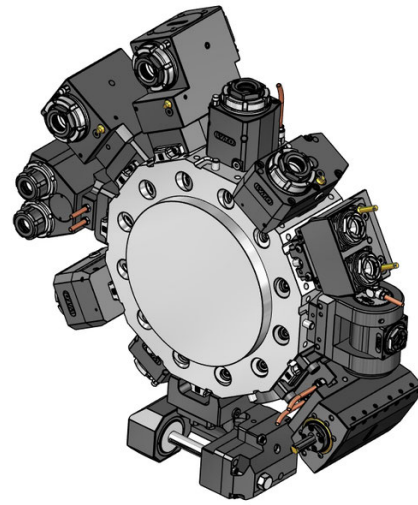
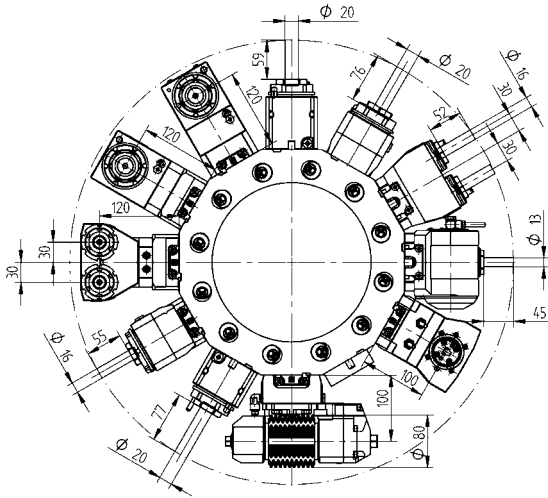
**Right angle drill/milling unit, Trifix®, LF=120**

- ER-25 QF** 420525019-40L 1:2 EC  
0067725000
- ER-25 QF** 420525020-40L 1:2 IC 80 bar  
0067725000



**Right angle drill/milling unit, Trifix®, LF=120**

- ER-25 QF** 420525019-40R 1:2 EC  
0067725000
- ER-25 QF** 420525020-40R 1:2 IC 80 bar  
0067725000

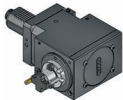


Driven Toolholders - Enhanced Program

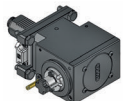
Driven Toolholders - Enhanced Program



**Right angle drill/milling unit, both sides, Trifix®, LF=120 - BMT**  
**ER-40 QF** 420540016-40 1:1 EC  
 0067740000



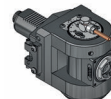
**Right angle milling unit with combination mill arbor DIN 6358, double VDI serration, LF=100**  
**Ø 22** 410622028-40 2:1 EC  
 00675000160  
**Ø 27** 410627015-40 2:1 EC  
 00675000211



**Right angle milling unit with combination mill arbor DIN 6358, Trifix®, LF=100 - BMT**  
**Ø 22** 410622031-40L 2:1 EC  
 00675000160  
**Ø 27** 410627016-40L 2:1 EC  
 00675000211

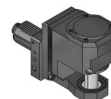


**Right angle milling unit with combination mill arbor DIN 6358, Trifix®, LF=100 - BMT**  
**Ø 22** 410622031-40R 2:1 EC  
 00675000160  
**Ø 27** 410627016-40R 2:1 EC  
 00675000211



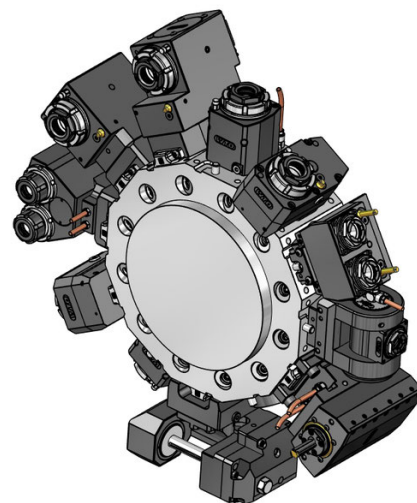
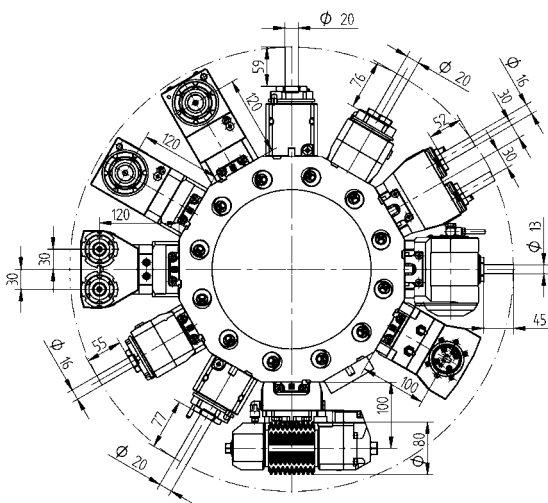
**Adjustable angle drill/milling unit**

**ER 20** 411013019-40 1:1 EC  
 00675000928  
**ER 20** 411013026-40 1:1 IC 80 bar  
 00675000928  
**ER 25** 411016006-40 1:1 EC  
 00675000934  
**ER 25** 411016024-40 1:1 IC 80 bar  
 00675000934  
**ER 16** 411010012-40 1:2 EC  
 00675000936  
**ER 16** 411010013-40 1:2 IC 80 bar  
 00675000936



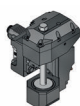
**Slitting saw unit**

**Type 14-2** 410900013-40 2.62:1 EC  
 00675000460  
 160016142 Ø 16  
 160022142 Ø 22  
 160027142 Ø 27  
 160015142 Ø 5/8"  
 160019142 Ø 3/4"  
 160023142 Ø 7/8"  
 160025142 Ø 1"



Driven Toolholders - Enhanced Program

Driven Toolholders - Enhanced Program



**Gear hobbing unit, Trifix®**

**Type 16-1** 411500041-40L 1:1 EC

- 00675000926
- 160016161 Ø 16
- 160022161 Ø 22
- 160027161 Ø 27
- 160015161 Ø 5/8"
- 160019161 Ø 3/4"
- 160025161 Ø 1"
- 160031161 Ø 1 1/4"
- 110587

**Type 16-1** 411500037-40L 2:1 EC

- 00675000926
- 160016161 Ø 16
- 160022161 Ø 22
- 160027161 Ø 27
- 160015161 Ø 5/8"
- 160019161 Ø 3/4"
- 160025161 Ø 1"
- 160031161 Ø 1 1/4"
- 110587



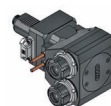
**Drill/milling unit - double, Y axis**

**ER 25** 413002034-40 1:1.5 EC

00675000930

**ER 25** 413002035-40 1:1.5 IC 80 bar

00675000930



**2-spindle - Face drill/milling unit, Y axis, LF=120, Trifix®**

**ER 25** 413502024-40L 1:1 EC

00675000915

**ER 25** 413502025-40L 1:1 IC 80 bar

00675000915



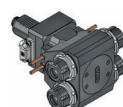
**2-spindle - Face drill/milling unit, Y axis, LF=120, Trifix®**

**ER 25** 413502024-40R 1:1 EC

00675000915

**ER 25** 413502025-40R 1:1 IC 80 bar

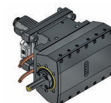
00675000915



**2-spindle - Face drill/milling unit, both sides, Y axis, LF=120, Trifix®**

**ER 25** 413502026-40 1:1 EC

00675000915



**Broaching unit for ID and OD, Trifix®, LF=100 - BMT**

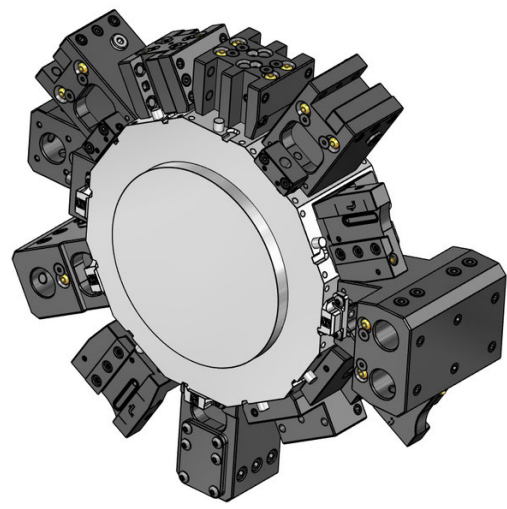
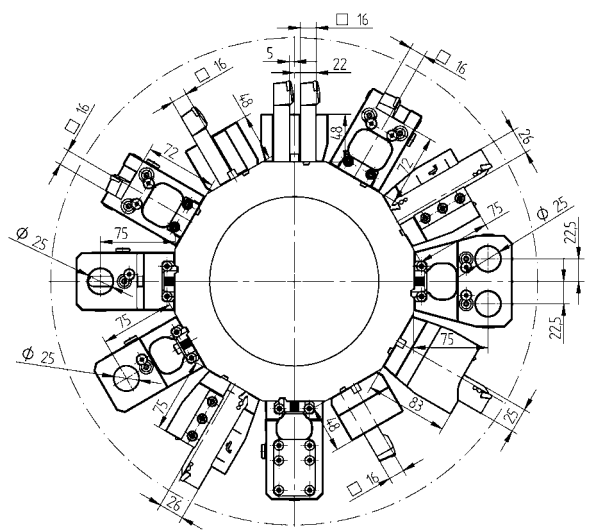
**TN765050** 414532007-40L 1:1 EC



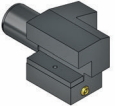
**Broaching unit for ID and OD, Trifix®, LF=100 - BMT**


**TN765050** 414532007-40R 1:1 EC

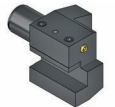


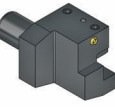



Static Toolholders - Standard Program

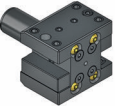
- 


**Axial square toolholder, right hand, Form C1**  
 16(12) 48-C1-25x16
- 


**Axial square toolholder, left hand, Form C2**  
 16(12) 48-C2-25x16
- 

**Axial square toolholder, right hand inverted, Form C3**  
 16(12) 48-C3-25x16
- 

**Axial square toolholder, left hand inverted, Form C4**  
 16(12) 48-C4-25x16
- 


**OD cutting holder - double VDI serration**  
 16 48-88237  
 R2Z415W
- 


**OD cutting holder, both sides**  
 16 48-71572  
 R2Z810W
- 


**Face cutting holder**  
 16 48-74693
- 


**Combination toolholder, universal**  
 Ø 25 48-74687  
 241125016 ER25


Static Toolholders - Standard Program


- 


**Combination toolholder, universal, Trifix®**  
 Ø 25 48-98234  
 241125016 ER25
- 

**Combination toolholder, back set, left hand**  
 Ø 25 48-74689  
 241125016 ER25
- 

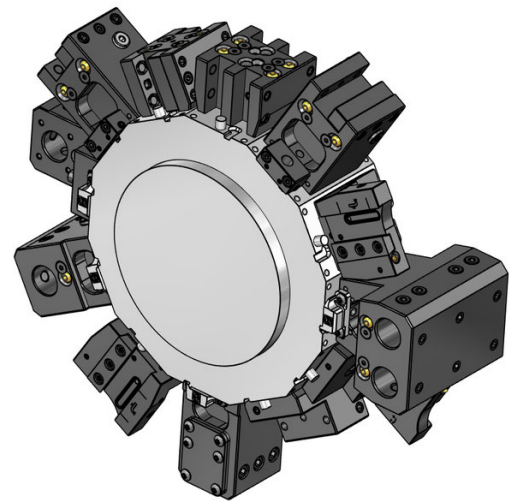
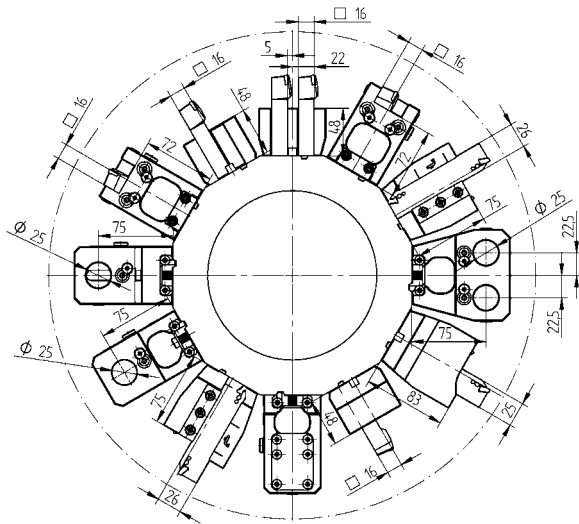
**Combination toolholder, back set, left hand, Trifix®**  
 Ø 25 48-98235  
 241125016 ER25
- 

**Combination toolholder, back set, right hand**  
 Ø 25 48-74688  
 241125016 ER25
- 

**Combination toolholder, back set, right hand, Trifix®**  
 Ø 25 48-98236  
 241125016 ER25
- 

**Combination toolholder, both sides**  
 Ø 25 48-74690
- 

**Combination toolholder, both sides, Trifix®**  
 Ø 25 48-98238



Static Toolholders - Enhanced Program



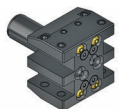
**OD cutting holder, HP-IC - double VDI serration**

20 48-106423-HP IC 80 bar



**OD cutting holder, both sides, HP-IC**

20 48-111171-HP IC 80 bar



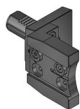
**OD cutting holder, both sides, double, Y axis**

16(5/8") 48-77394  
442770W



**Face cutting holder, HP-IC - double VDI serration**

20 48-107434-HP



**Cut-off holder, adjustable - double VDI serration**

SH 26 48-98981  
R2Z452W



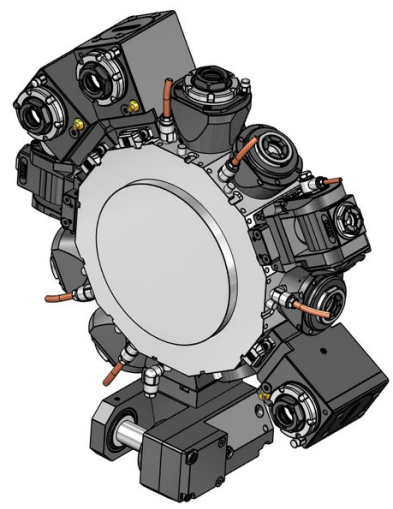
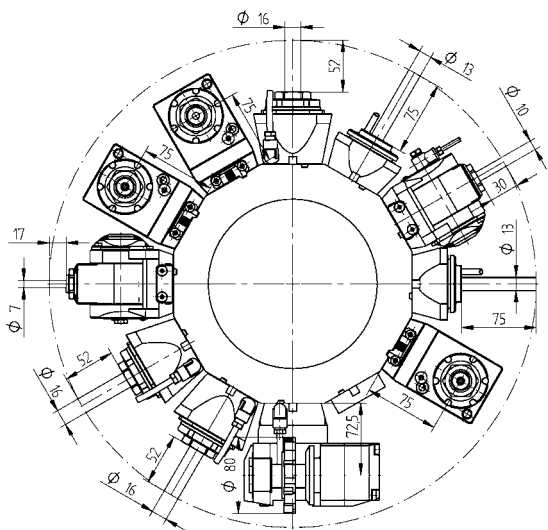
**Cut-off holder, adjustable, HP-IC - double VDI serration**

SH 26 48-102647R IC 80 bar  
SH 26 48-102647L IC 80 bar  
SH 32 48-106937R IC 80 bar  
343-810100R80  
SH 32 48-106937L IC 80 bar  
343-810100L80



**Combination toolholder, double, both sides**

Ø 25 48-109204 IC 80 bar



Driven Toolholders - QuickFlex®

- 

**Straight drill/milling unit**

<b>ER-25 QF</b>	420125010-25	1:1	EC
	R2Z471W		
		0067725010	
- |                 |  |            |           |
|-----------------|--|------------|-----------|
| <b>ER-25 QF</b> | 420125011-25   | 1:1        | IC 80 bar |
|                 |  | 0067725010 |           |
- 

**Right angle drill/milling unit, Trifix®**

<b>ER-25 QF</b>	420525010-25L	1:1	EC
		0067725010	
- |                 |   |            |           |
|-----------------|---|------------|-----------|
| <b>ER-25 QF</b> | 420525011-25L   | 1:1        | IC 80 bar |
|                 |  | 0067725010 |           |
- 

**Right angle drill/milling unit, Trifix®**

<b>ER-25 QF</b>	420525010-25R	1:1	EC
		0067725010	
- |                 |   |            |           |
|-----------------|---|------------|-----------|
| <b>ER-25 QF</b> | 420525011-25R   | 1:1        | IC 80 bar |
|                 |  | 0067725010 |           |
- 

**Right angle back set drill/milling unit, Trifix®**

<b>ER-25 QF</b>	420525027-25L	1:1	EC
		0067725010	
- |                 |   |            |           |
|-----------------|---|------------|-----------|
| <b>ER-25 QF</b> | 420525028-25L   | 1:1        | IC 80 bar |
|                 |  | 0067725010 |           |
- 


**Right angle back set drill/milling unit, Trifix®**

<b>ER-25 QF</b>	420525027-25R	1:1	EC
		0067725010	
- |                 |   |            |           |
|-----------------|---|------------|-----------|
| <b>ER-25 QF</b> | 420525028-25R   | 1:1        | IC 80 bar |
|                 |  | 0067725010 |           |
- 



**Right angle drill/milling unit, both sides, Trifix®**

<b>ER-25 QF</b>	420525012-25	1:1	EC
		0067725010	


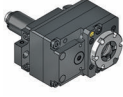
Driven Toolholders - Enhanced Program

- 






**Straight drill/milling unit, short**

<b>ER 20</b>	410113004-25	1:1	EC
	R2Z490		
		00675000700	
- 







**Straight milling unit with combination mill arbor DIN 6358**

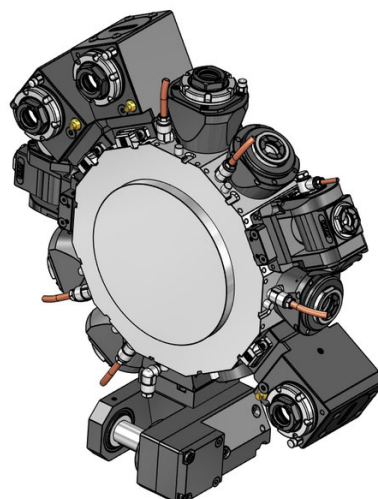
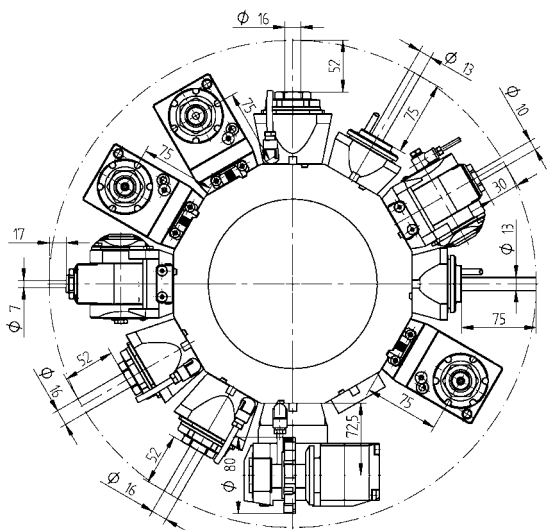
<b>Ø 16</b>	410216003-25	1:1	EC
		00675000854	
- 

**Straight offset drill/milling unit**

<b>ER 25</b>	410116017-25	1:1	EC
		00675000801	
- |              |   |             |    |
|--------------|---|-------------|----|
| <b>ER 20</b> | 410113003-25  | 1:2         | EC |
|              |  | 00675000887 |    |
- |              |   |             |    |
|--------------|---|-------------|----|
| <b>ER 16</b> | 410410000-25  | 1:3         | EC |
|              |  | 00675000636 |    |
- |              |   |             |    |
|--------------|---|-------------|----|
| <b>ER 25</b> | 410116013-25  | 2:1         | EC |
|              |  | 00675000801 |    |
- 

**Right angle drill/milling unit**

<b>ER-20 QF</b>	420520019-25	1:2	EC
		0067720001	
- |                 |   |            |           |
|-----------------|---|------------|-----------|
| <b>ER-20 QF</b> | 420520020-25  | 1:2        | IC 80 bar |
|                 |  | 0067720001 |           |
- |              |   |             |    |
|--------------|---|-------------|----|
| <b>ER 16</b> | 410810012-25  | 1:3         | EC |
|              |  | 00675000841 |    |
- |              |   |             |           |
|--------------|---|-------------|-----------|
| <b>ER 16</b> | 410810013-25  | 1:3         | IC 80 bar |
|              |  | 00675000841 |           |
- |                 |   |            |    |
|-----------------|---|------------|----|
| <b>ER-25 QF</b> | 420525032-25  | 2:1        | EC |
|                 |  | 0067725010 |    |
- |                 |   |            |           |
|-----------------|---|------------|-----------|
| <b>ER-25 QF</b> | 420525033-25  | 2:1        | IC 80 bar |
|                 |  | 0067725010 |           |



Driven Toolholders - Enhanced Program



**Right angle milling unit with combination mill arbor DIN 6358**

<b>Ø 16</b>	410616002-25	1:1	EC
	00675000854		
<b>Ø 22</b>	410622005-25	2:1	EC
	00675000483		
<b>Ø 27</b>	410627002-25	2:1	EC
	00675000245		



**Adjustable angle drill/milling unit**

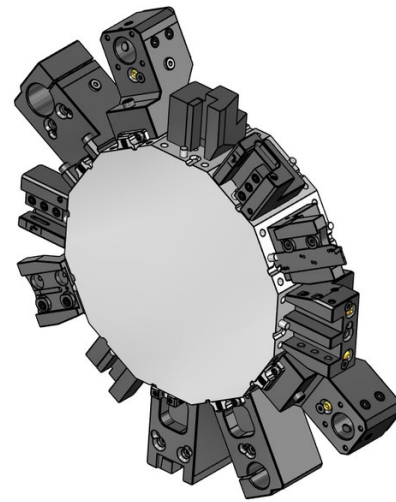
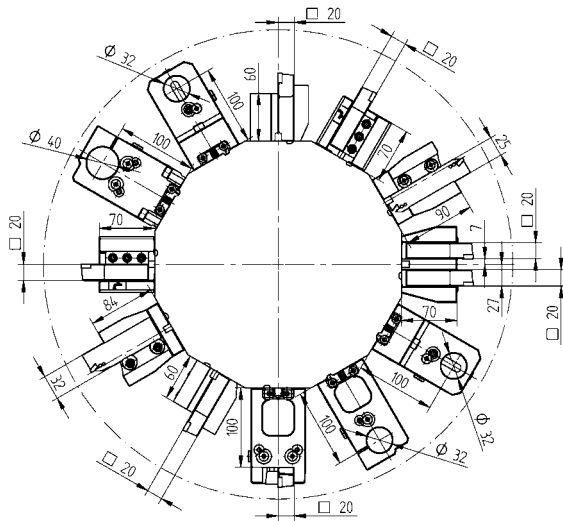
<b>ER 16</b>	411010003-25	1:1	EC
	00675000902		
<b>ER 16</b>	411010010-25	1:1	IC 80 bar
	00675000902		
<b>ER 11</b>	411007006-25	1:2	EC
	00675000914		
<b>ER 11</b>	411007007-25	1:2	IC 80 bar
	00675000914		



**Offset slitting saw unit**

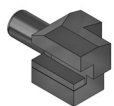
<b>Type 14-2</b>	411500002-25	2.73:1	EC
	00675000460		
	160016142 Ø 16		
	160022142 Ø 22		
	160027142 Ø 27		
	160015142 Ø 5/8"		
	160019142 Ø 3/4"		
	160023142 Ø 7/8"		
	160025142 Ø 1"		





Static Toolholders - Standard Program

Static Toolholders - Standard Program



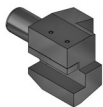
**Axial square toolholder, right hand, Form C1**

20(16) 48-C1-30x20  
3/4" 48-C1-30x075



**Axial square toolholder, left hand, Form C2**

20(16) 48-C2-30x20



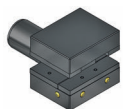
**Axial square toolholder, right hand inverted, Form C3**

20(16) 48-C3-30x20  
3/4" 48-C3-30x075



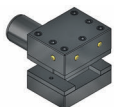
**Axial square toolholder, left hand inverted, Form C4**

20(16) 48-C4-30x20



**Universal square toolholder, Form D1**

20(16) 48-D1-30x20



**Universal square toolholder, inverted, Form D2**

20(16) 48-D2-30x20



**OD cutting holder, left**

20 48-71932  
R4Z410W



**OD cutting holder, right**

20 48-72047  
R4Z230W



**OD cutting holder, both sides**

20 48-71216  
R6Z410W



**Face cutting holder**

20 48-105756



**Face cutting holder, Trifix®**

20 48-109793



**Combination toolholder, universal, LF=100**

Ø 32 48-71434  
241132016 ER25  
241132020 ER32



**Combination toolholder, universal, Trifix®, LF=100**

Ø 32 48-96995  
241132016 ER25  
241132020 ER32



**Combination toolholder, back set, left hand, LF=100**

Ø 32 48-71438  
241132016 ER25  
241132020 ER32

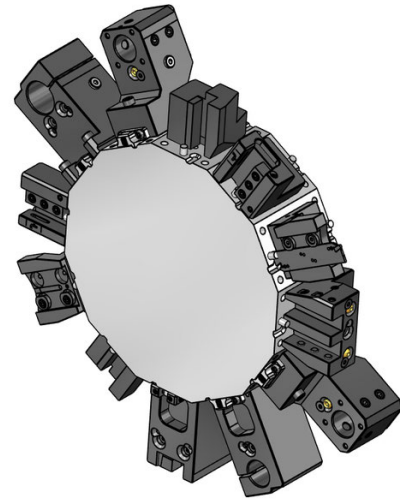
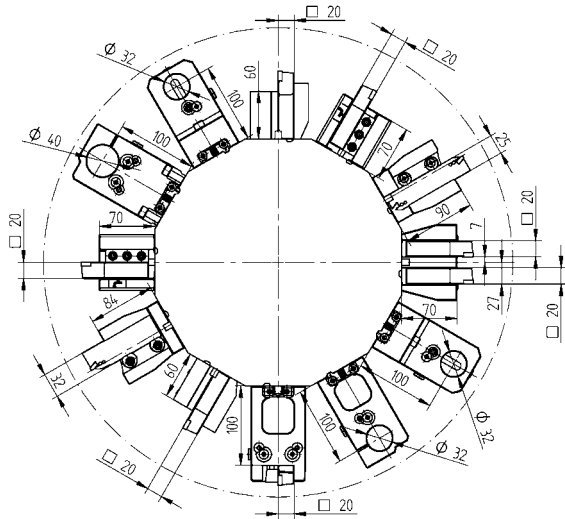
Ø 1 1/4" 48-74548



**Combination toolholder, back set, left hand, Trifix®, LF=100**

Ø 32 48-97531  
241132016 ER25  
241132020 ER32

Ø 1 1/4" 48-97536



Static Toolholders - Standard Program

- 

**Combination toolholder, back set, right hand, LF=100**

Ø 32 48-71436  
 241132016 ER25  
 241132020 ER32

Ø 1 1/4" 48-74544
- 

**Combination toolholder, back set, right hand, Trifix®, LF=100**

Ø 32 48-97553  
 241132016 ER25  
 241132020 ER32

Ø 1 1/4" 48-97555
- 

**Collet face drill holder, LF=100**

ER 32 48-82824 IC 80 bar  
 107532000
- 

**Collet face drill holder, Trifix®, LF=100**

ER 32 48-100198 IC 80 bar  
 107532000
- 

**Collet face drill holder, both sides, LF=100**

ER 32 48-82847 IC 80 bar  
 107532000
- 


**Collet face drill holder, both sides, Trifix®, LF=100**

ER 32 48-100199 IC 80 bar  
 107532000
- 


**Plug, steel, Form Z2**

Steel 48-Z2-30-S


Static Toolholders - Enhanced Program

- 


**OD cutting holder, HP-IC - double VDI serration**

20 48-105977-HP IC 80 bar
- 

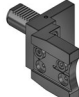
**OD cutting holder, both sides, HP-IC**

20 48-71216-HP IC 80 bar
- 

**OD cutting holder, double, Y axis - double VDI serration**


20 (3/4") 48-84593
- 

**OD cutting holder, both sides, double, Y axis**


20 (3/4") 48-77395  
442750W
- 

**Cut-off holder, adjustable - double VDI serration**



SH 26 48-98991  
R4Z451W

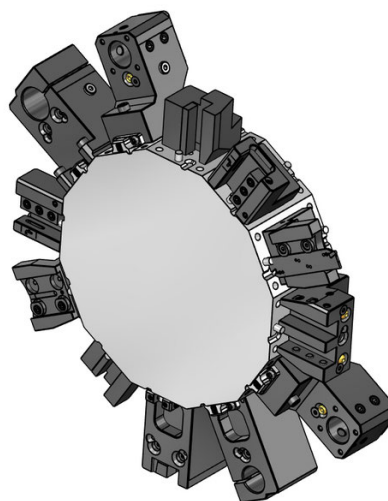
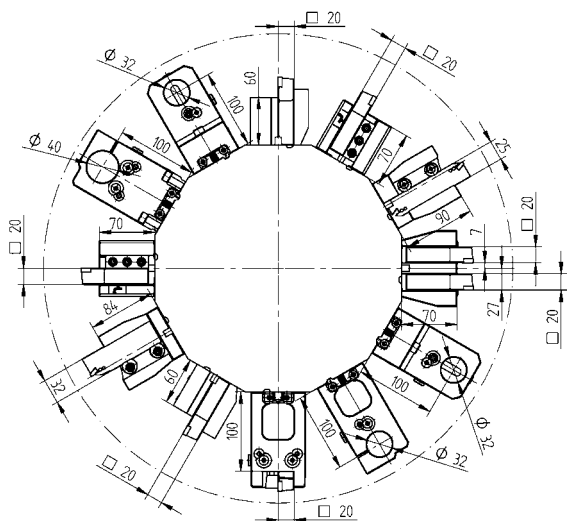
SH 32 48-99017  
R9Z450
- 

**Cut-off holder, adjustable, HP-IC - double VDI serration**

SH 26 48-102630R IC 80 bar  
SH 26 48-102630L IC 80 bar  
SH 32 48-102632R IC 80 bar  
SH 32 48-102632L IC 80 bar
- 

**Combination toolholder, universal, Trifix®, LF=100 - BMT**

Ø 40 48-99669  
 241140020 ER32  
 241140026 ER40



Static Toolholders - Enhanced Program



**Boring bar holder, with slot, LF=100**  
 Ø 32 48-87088




**Boring bar holder, with slot, Trifix®, LF=100**  
 Ø 32 48-97588




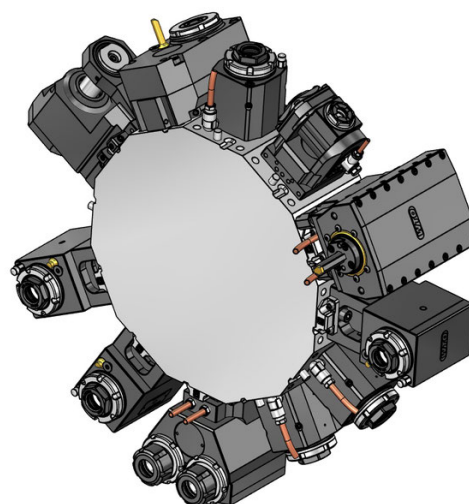
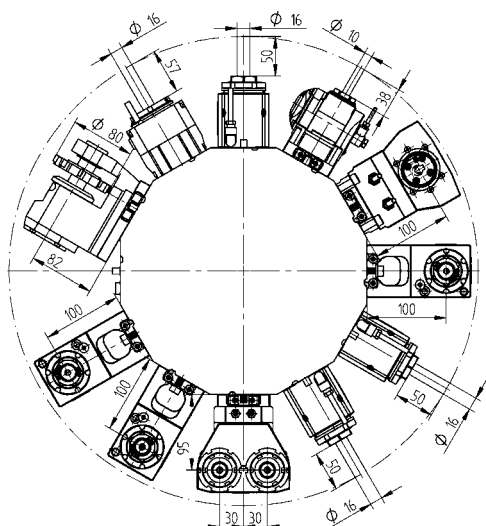
**Boring bar holder, with slot, Trifix®, LF=100 - BMT**  
 Ø 40 48-96994



**Combination toolholder, universal, double, Y axis, LF=100**  
 Ø 25 48-79026  
 241125016 ER25



**Combination toolholder, universal, double, Y axis, Trifix®, LF=100**  
 Ø 25 48-99635  
 241125016 ER25



Driven Toolholders - QuickFlex®

- 

**Straight drill/milling unit (6000 RPM)**  
**ER-25 QF** 420125010-30L 1:1 EC  
 440441W  
 0067725010

**ER-25 QF** 420125019-30L 1:1 IC 80 bar  
 0067725010
- 

**Straight drill/milling unit (12000 RPM)**  
**ER-25 QF** 420125014-30L 1:1 EC  
 0067725010

**ER-25 QF** 420125015-30L 1:1 IC 80 bar  
 0067725010
- 

**Right angle drill/milling unit, Trifix®, (6000 RPM)**  
**ER-25 QF** 420525055-30L 1:1 EC  
 0067725010

**ER-25 QF** 420525056-30L 1:1 IC 80 bar  
 0067725010
- 

**Right angle drill/milling unit, Trifix®, (12000 RPM)**  
**ER-25 QF** 420525106-30L 1:1 EC  
 0067725010

**ER-25 QF** 420525107-30L 1:1 IC 80 bar  
 0067725010
- 

**Right angle drill/milling unit, Trifix®, (6000 RPM)**  
**ER-25 QF** 420525055-30R 1:1 EC  
 0067725010

**ER-25 QF** 420525056-30R 1:1 IC 80 bar  
 0067725010

Driven Toolholders - QuickFlex®

- 

**Right angle drill/milling unit, Trifix®, (12000 RPM)**  
**ER-25 QF** 420525106-30R 1:1 EC  
 0067725010

**ER-25 QF** 420525107-30R 1:1 IC 80 bar  
 0067725010
- 

**Right angle back set drill/milling unit, Trifix®, (6000 RPM)**  
**ER-25 QF** 420525089-30L 1:1 EC  
 0067725010

**ER-25 QF** 420525090-30L 1:1 IC 80 bar  
 0067725010
- 

**Right angle back set drill/milling unit, Trifix®, (12000 RPM)**  
**ER-25 QF** 420525060-30L 1:1 EC  
 0067725010

**ER-25 QF** 420525061-30L 1:1 IC 80 bar  
 0067725010
- 

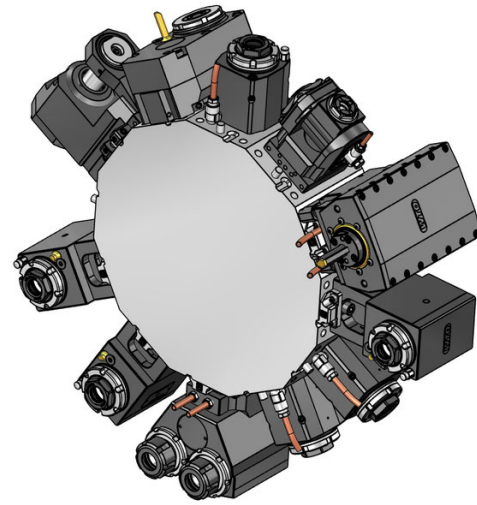
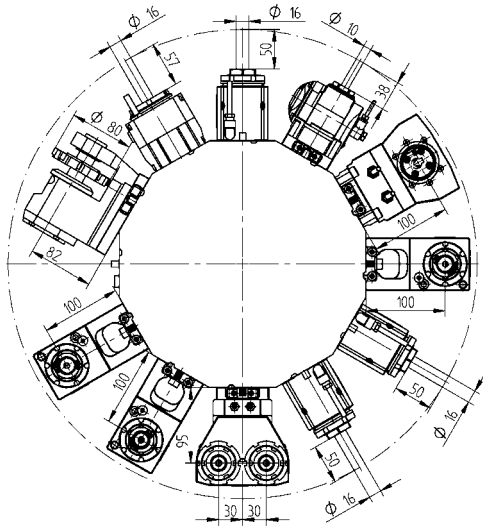
**Right angle back set drill/milling unit, Trifix®, (6000 RPM)**  
**ER-25 QF** 420525089-30R 1:1 EC  
 0067725010

**ER-25 QF** 420525090-30R 1:1 IC 80 bar  
 0067725010
- 

**Right angle back set drill/milling unit, Trifix®, (12000 RPM)**  
**ER-25 QF** 420525060-30R 1:1 EC  
 0067725010

**ER-25 QF** 420525061-30R 1:1 IC 80 bar  
 0067725010





Driven Toolholders - QuickFlex®



**Right angle drill/milling unit, both sides, Trifix®, (6000 RPM)**

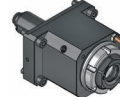
**ER-25 QF** 420525086-30 1:1 EC  
 0067725010



**Right angle drill/milling unit, both sides, Trifix®, (12000 RPM)**

**ER-25 QF** 420525095-30 1:1 EC  
 0067725010

Driven Toolholders - Enhanced Program



**Straight drill/milling unit - BMT**

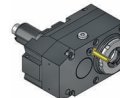
**ER-32 QF** 420132010-30 1:1 EC  
 0067732000

**ER-32 QF** 420132011-30 1:1 IC 80 bar  
 0067732000



**Straight milling unit**

**Ø 16** 410216014-30 1:1 EC  
 00675000854



**Straight offset drill/milling unit**

**ER 25** 410116058-30 1:1 EC  
 00675000801

**ER 25** 410116057-30 1:1 IC 80 bar  
 00675000801

**ER 20** 410113010-30 1:2 EC  
 00675000591

**ER 20** 410113009-30 1:2 IC 80 bar  
 00675000591

**ER 25** 410116059-30 2:1 EC  
 00675000801

**ER 25** 410116060-30 2:1 IC 80 bar  
 00675000801

**ER 32** 410120027-30 2:1 EC  
 00675000592

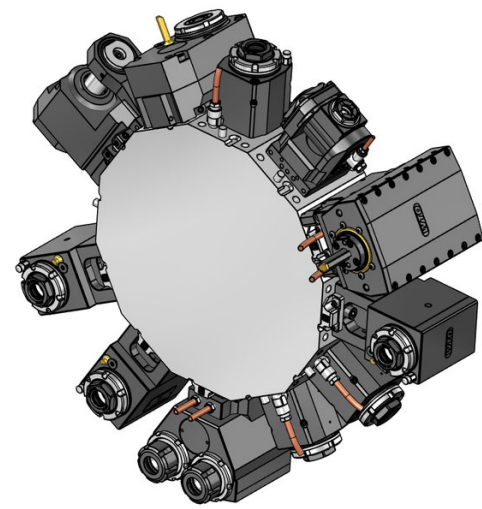
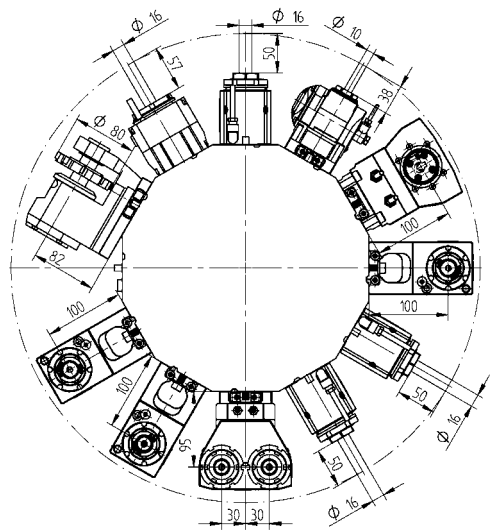
**ER 32** 410120032-30 2:1 IC 80 bar  
 00675000592



**Straight offset drill/milling unit - double VDI serration**

**ER 16** 410410002-30 1:3 EC  
 00675000937

**ER 16** 410410001-30 1:3 IC 80 bar  
 00675000937

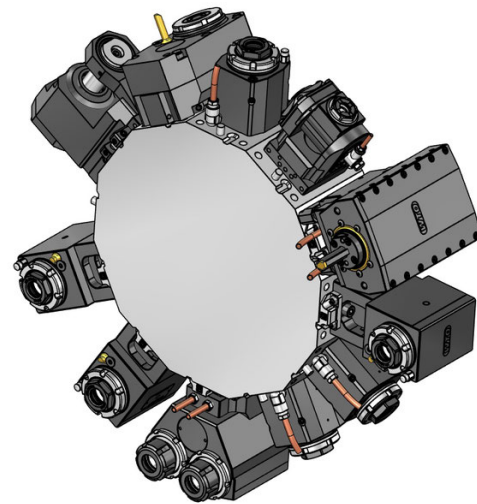
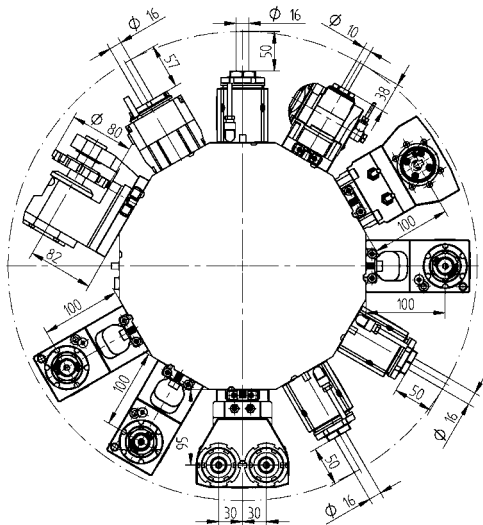


Driven Toolholders - Enhanced Program

	<b>Right angle drill/milling unit</b>			
	<b>ER-20 QF</b>	420520013-30	1:2	EC
		0067720000		
	<b>ER-20 QF</b>	420520014-30	1:2	IC 80 bar
		0067720000		
	<b>ER 16</b>	410810012-30	1:3	EC
	00675000841			
<b>ER 16</b>	410810013-30	1:3	IC 80 bar	
	00675000841			
<b>ER-25 QF</b>	420525096-30	2:1	EC	
	0067725010			
<b>ER-25 QF</b>	420525097-30	2:1	IC 80 bar	
	0067725010			
	<b>Right angle drill/milling unit, Trifix®</b>			
	<b>ER-20 QF</b>	420520015-30L	1:2	EC
	0067720000			
<b>ER-20 QF</b>	420520016-30L	1:2	IC 80 bar	
	0067720000			
	<b>Right angle back set drill/milling unit</b>			
	<b>ER 32</b>	410520013-30	2:1	EC
	00675000592			
<b>ER 32</b>	410520014-30	2:1	IC 80 bar	
	00675000592			
	<b>Adjustable angle drill/milling unit</b>			
	<b>ER 16</b>	411010015-30	1:1	EC
		00675000902		
	<b>ER 16</b>	411010016-30	1:1	IC 80 bar
	00675000902			
<b>ER 11</b>	411007018-30	1:2	EC	
	00675000914			
<b>ER 11</b>	411007019-30	1:2	IC 80 bar	
	00675000914			

Driven Toolholders - Enhanced Program

	<b>Slitting saw unit</b>			
	<b>Type 14-2</b>	410900015-30	2.62:1	EC
		00675000460		
		160016142 Ø 16		
		160022142 Ø 22		
		160027142 Ø 27		
		160015142 Ø 5/8"		
	160019142 Ø 3/4"			
	160023142 Ø 7/8"			
	160025142 Ø 1"			
	<b>Gear hobbing unit, Trifix®</b>			
	<b>Type 15-2</b>	410900025-30	1:1	EC
		00675001015		
		160008152 Ø 8		
		160010152 Ø 10		
		160013152 Ø 13		
		160016152 Ø 16		
		160022152 Ø 22		
		160015152 Ø 5/8"		
		160019152 Ø 3/4"		
	110587			
	<b>Drill/milling unit - double, Y axis</b>			
	<b>ER 25</b>	413002008-30	1:1.5	EC
		00675000930		
<b>ER 25</b>	413002009-30	1:1.5	IC 80 bar	
	00675000930			



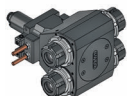
Driven Toolholders - Enhanced Program



**2-spindle - Face drill/milling unit, Y axis**

ER 25 413502000-30 1:1 EC  
 00675000915

ER 25 413502004-30 1:1 IC 80 bar  
 00675000915



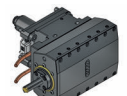
**2-spindle - Face drill/milling unit, both sides, Y axis**

ER 25 413502009-30 1:1 EC  
 00675000915



**Broaching unit for ID and OD, Trifix® - BMT**

TN765050 414532001-30L 1:1 EC



**Broaching unit for ID and OD, Trifix® - BMT**

TN765050 414532001-30R 1:1 EC

Standard reduction sleeves - cylindrical



**Reduction sleeve Ø 20**

240020006	ø 6
240020008	ø 8
240020010	ø 10
240020012	ø 12
240020014	ø 14
240020016	ø 16



**Reduction sleeve Ø 25**

240025006	ø 6
240025008	ø 8
240025010	ø 10
240025012	ø 12
240025014	ø 14
240025016	ø 16
240025020	ø 20



**Reduction sleeve Ø 32**

240032006	ø 6
240032008	ø 8
240032010	ø 10
240032012	ø 12
240032014	ø 14
240032016	ø 16
240032018	ø 18
240032020	ø 20
240032025	ø 25



**Reduction sleeve Ø 40**

240040006	ø 6
240040008	ø 8
240040010	ø 10
240040012	ø 12
240040014	ø 14
240040016	ø 16
240040020	ø 20
240040025	ø 25
240040032	ø 32



**Reduction sleeve Ø 50**

240050010	ø 10
240050012	ø 12
240050016	ø 16
240050020	ø 20
240050025	ø 25
240050025	ø 25
240050032	ø 32
240050040	ø 40

Standard reduction sleeves - cylindrical



**Reduction sleeve Ø 1 1/4"**

2400125038	ø 3/8"
2400125050	ø 1/2"
2400125063	ø 5/8"
2400125075	ø 3/4"
2400125088	ø 7/8"
2400125100	ø 1"



**Reduction sleeve Ø 1 1/2"**

2400150038	ø 3/8"
2400150050	ø 1/2"
2400150063	ø 5/8"
2400150075	ø 3/4"
2400150088	ø 7/8"
2400150100	ø 1"
2400150125	ø 1 1/4"



**Reduction sleeve Ø 2"**

2400200050	ø 1/2"
2400200063	ø 5/8"
2400200088	ø 7/8"
2400200100	ø 1"
2400200125	ø 1 1/4"
2400200150	ø 1 1/2"
2400200175	ø 1 3/4"



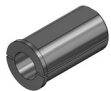
Standard reduction sleeves - cylindrical, with slot

Standard reduction sleeves - morse taper



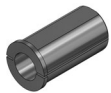
**Reduction sleeve Ø 25**

240125006	ø 6
240125008	ø 8
240125010	ø 10
240125012	ø 12
240125014	ø 14
240125015	ø 15
240125016	ø 16
240125020	ø 20



**Reduction sleeve Ø 32**

240132008	ø 8
240132010	ø 10
240132012	ø 12
240132015	ø 15
240132016	ø 16
240132020	ø 20
240132025	ø 25



**Reduction sleeve Ø 40**

240140010	ø 10
240140012	ø 12
240140015	ø 15
240140016	ø 16
240140020	ø 20
240140025	ø 25
240140032	ø 32



**Reduction sleeve Ø 32**

240532001	MT 1
240532002	MT 2
240532003	MT 3



**Reduction sleeve Ø 40**

240540001	MT 1
240540002	MT 2
240540003	MT 3
240540004	MT 4

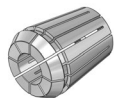
Collets DIN 6499B (ER/ESX)



ER 11	mm	inch
190011000	∅ 7-0.5	∅ 0.276-0.020
190011010	∅ 1-0.5	∅ 0.039-0.020
190011015	∅ 1.5-1	∅ 0.059-0.039
190011020	∅ 2-1.5	∅ 0.079-0.059
190011025	∅ 2.5-2	∅ 0.098-0.079
190011030	∅ 3-2.5	∅ 0.118-0.098
190011035	∅ 3.5-3	∅ 0.138-0.118
190011040	∅ 4-3.5	∅ 0.158-0.138
190011045	∅ 4.5-4	∅ 0.177-0.158
190011050	∅ 5-4.5	∅ 0.197-0.177
190011055	∅ 5.5-5	∅ 0.217-0.197
190011060	∅ 6-5.5	∅ 0.236-0.217
190011065	∅ 6.5-6	∅ 0.256-0.236
190011070	∅ 7-6.5	∅ 0.276-0.256



ER 16	mm	inch
190016000	∅ 10-0.5	∅ 0.394-0.020
190016010	∅ 1-0.5	∅ 0.039-0.020
190016020	∅ 2-1	∅ 0.079-0.039
190016030	∅ 3-2	∅ 0.118-0.079
190016040	∅ 4-3	∅ 0.158-0.118
190016050	∅ 5-4	∅ 0.197-0.158
190016060	∅ 6-5	∅ 0.236-0.197
190016070	∅ 7-6	∅ 0.276-0.236
190016080	∅ 8-7	∅ 0.315-0.276
190016090	∅ 9-8	∅ 0.354-0.315
190016100	∅ 10-9	∅ 0.394-0.354



ER 20	mm	inch
190020000	∅ 13-1	∅ 0.512-0.039
190020010	∅ 1-0.5	∅ 0.039-0.020
190020020	∅ 2-1	∅ 0.079-0.039
190020030	∅ 3-2	∅ 0.118-0.079
190020040	∅ 4-3	∅ 0.157-0.118
190020050	∅ 5-4	∅ 0.197-0.157
190020060	∅ 6-5	∅ 0.236-0.197
190020070	∅ 7-6	∅ 0.276-0.236
190020080	∅ 8-7	∅ 0.315-0.276
190020090	∅ 9-8	∅ 0.354-0.315
190020100	∅ 10-9	∅ 0.394-0.354
190020110	∅ 11-10	∅ 0.433-0.394
190020120	∅ 12-11	∅ 0.472-0.433
190020130	∅ 13-12	∅ 0.512-0.472

Collets DIN 6499B (ER/ESX)



ER 25	mm	inch
190025000	∅ 16-1	∅ 0.630-0.039
190025020	∅ 2-1	∅ 0.079-0.039
190025030	∅ 3-2	∅ 0.118-0.079
190025040	∅ 4-3	∅ 0.157-0.118
190025050	∅ 5-4	∅ 0.197-0.157
190025060	∅ 6-5	∅ 0.236-0.197
190025070	∅ 7-6	∅ 0.276-0.236
190025080	∅ 8-7	∅ 0.315-0.276
190025090	∅ 9-8	∅ 0.354-0.315
190025100	∅ 10-9	∅ 0.394-0.354
190025110	∅ 11-10	∅ 0.433-0.394
190025120	∅ 12-11	∅ 0.472-0.433
190025130	∅ 13-12	∅ 0.512-0.472
190025140	∅ 14-13	∅ 0.551-0.512
190025150	∅ 15-14	∅ 0.591-0.551
190025160	∅ 16-15	∅ 0.630-0.591



ER 32	mm	inch
190032000	∅ 20-2	∅ 0.787-0.079
190032030	∅ 3-2	∅ 0.118-0.079
190032040	∅ 4-3	∅ 0.157-0.118
190032050	∅ 5-4	∅ 0.197-0.157
190032060	∅ 6-5	∅ 0.236-0.197
190032070	∅ 7-6	∅ 0.276-0.236
190032080	∅ 8-7	∅ 0.315-0.276
190032090	∅ 9-8	∅ 0.354-0.315
190032100	∅ 10-9	∅ 0.394-0.354
190032110	∅ 11-10	∅ 0.433-0.394
190032120	∅ 12-11	∅ 0.472-0.433
190032130	∅ 13-12	∅ 0.512-0.472
190032140	∅ 14-13	∅ 0.551-0.512
190032150	∅ 15-14	∅ 0.591-0.551
190032160	∅ 16-15	∅ 0.630-0.591
190032170	∅ 17-16	∅ 0.669-0.630
190032180	∅ 18-17	∅ 0.709-0.669
190032190	∅ 19-18	∅ 0.748-0.709
190032200	∅ 20-19	∅ 0.787-0.748

Collets DIN 6499B (ER/ESX)



ER 40	mm	inch
190040000	∅ 26-3	∅ 1.024-0.118
190040040	∅ 4-3	∅ 0.157-0.118
190040050	∅ 5-4	∅ 0.197-0.157
190040060	∅ 6-5	∅ 0.236-0.197
190040070	∅ 7-6	∅ 0.276-0.236
190040080	∅ 8-7	∅ 0.315-0.276
190040090	∅ 9-8	∅ 0.354-0.315
190040100	∅ 10-9	∅ 0.394-0.354
190040110	∅ 11-10	∅ 0.433-0.394
190040120	∅ 12-11	∅ 0.472-0.433
190040130	∅ 13-12	∅ 0.512-0.472
190040140	∅ 14-13	∅ 0.551-0.512
190040150	∅ 15-14	∅ 0.591-0.551
190040160	∅ 16-15	∅ 0.630-0.591
190040170	∅ 17-16	∅ 0.669-0.630
190040180	∅ 18-17	∅ 0.709-0.669
190040190	∅ 19-18	∅ 0.748-0.709
190040200	∅ 20-19	∅ 0.787-0.748
190040210	∅ 21-20	∅ 0.827-0.787
190040220	∅ 22-21	∅ 0.866-0.827
190040230	∅ 23-22	∅ 0.906-0.866
190040240	∅ 24-23	∅ 0.945-0.906
190040250	∅ 25-24	∅ 0.984-0.945
190040260	∅ 26-25	∅ 1.024-0.984



ER 50	mm	inch
190050000	∅ 34-10	∅ 1.339-0.394
190050060	∅ 6-4	∅ 0.236-0.157
190050080	∅ 8-6	∅ 0.315-0.236
190050100	∅ 10-8	∅ 0.394-0.315
190050120	∅ 12-10	∅ 0.472-0.394
190050140	∅ 14-12	∅ 0.551-0.472
190050160	∅ 16-14	∅ 0.630-0.551
190050180	∅ 18-16	∅ 0.709-0.630
190050200	∅ 20-18	∅ 0.787-0.709
190050220	∅ 22-20	∅ 0.866-0.787
190050240	∅ 24-22	∅ 0.945-0.866
190050260	∅ 26-24	∅ 1.024-0.945
190050280	∅ 28-26	∅ 1.102-1.024
190050300	∅ 30-28	∅ 1.181-1.102
190050320	∅ 32-30	∅ 1.260-1.181
190050340	∅ 34-32	∅ 1.339-1.260

Collets DIN 6499D (ER/ESX) - sealed, for IC



ER 11	mm	inch
191011030	∅ 3	
191011040	∅ 4	
191011050	∅ 5	
191011060	∅ 6	
191111013-in		∅ 0.125
191111019-in		∅ 0.188
191111025-in		∅ 0.25



ER 16	mm	inch
191016000	∅ 3-10	
191016030	∅ 3	
191016040	∅ 4	
191016050	∅ 5	
191016060	∅ 6	
191016070	∅ 7	
191016080	∅ 8	
191016090	∅ 9	
191016100	∅ 10	
191116001		∅ 0.125-0.375
191116013-in		∅ 0.125
191116019-in		∅ 0.188
191116025-in		∅ 0.25
191116031-in		∅ 0.313
191116038-in		∅ 0.375



ER 20	mm	inch
191020000	∅ 3-12	
191020030	∅ 3	
191020040	∅ 4	
191020050	∅ 5	
191020060	∅ 6	
191020070	∅ 7	
191020080	∅ 8	
191020090	∅ 9	
191020100	∅ 10	
191020110	∅ 11	
191020120	∅ 12	
191120001		∅ 0.125-0.5
191120013-in		∅ 0.125
191120019-in		∅ 0.188
191120025-in		∅ 0.25
191120031-in		∅ 0.313
191120038-in		∅ 0.375
191120044-in		∅ 0.438
191120050-in		∅ 0.5

Collets DIN 6499D (ER/ESX) - sealed, for IC

Collets DIN 6499D (ER/ESX) - sealed, for IC



<b>ER 25</b>	mm	inch
191025000	ø 4-16	
191025030	ø 3	
191025040	ø 4	
191025050	ø 5	
191025060	ø 6	
191025070	ø 7	
191025080	ø 8	
191025090	ø 9	
191025100	ø 10	
191025110	ø 11	
191025120	ø 12	
191025130	ø 13	
191025140	ø 14	
191025150	ø 15	
191025160	ø 16	
191125001		ø 0.25-0.625
191125025-in		ø 0.25
191125031-in		ø 0.313
191125038-in		ø 0.375
191125044-in		ø 0.438
191125050-in		ø 0.5
191125056-in		ø 0.563
191125063-in		ø 0.625

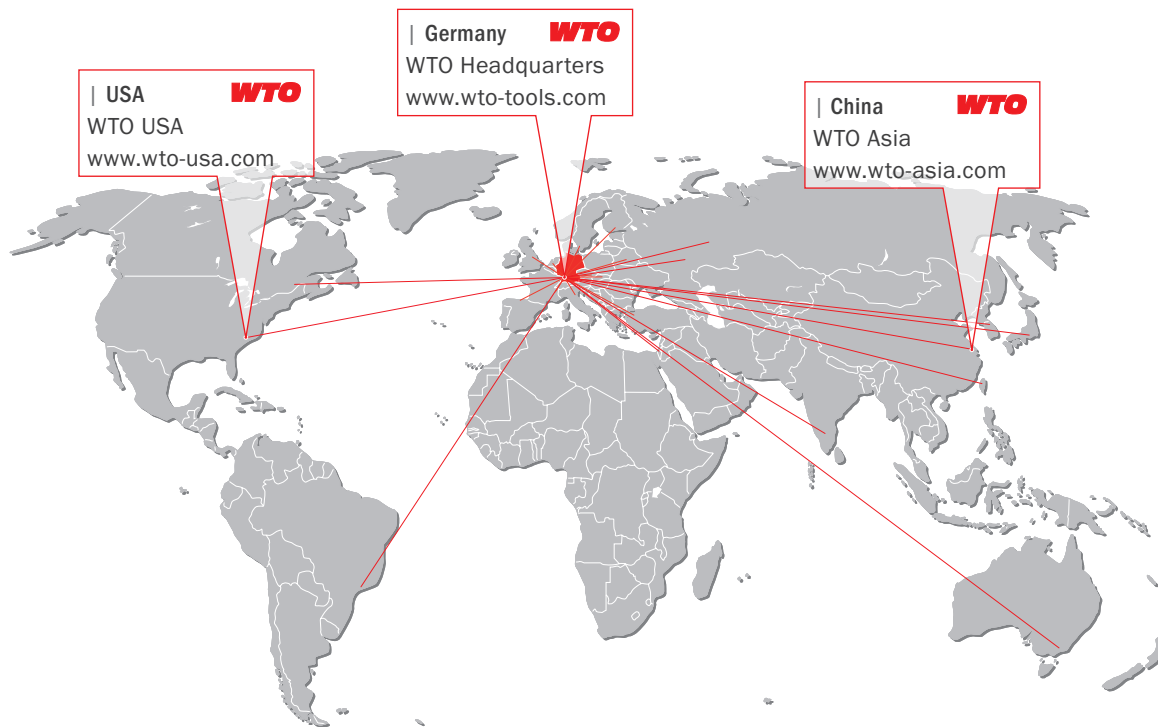


<b>ER 40</b>	mm	inch
191040060	ø 6	
191040080	ø 8	
191040100	ø 10	
191040120	ø 12	
191040140	ø 14	
191040160	ø 16	
191040180	ø 18	
191040200	ø 20	
191040220	ø 22	
191040250	ø 25	
191140025-in		ø 0.25
191140031-in		ø 0.313
191140038-in		ø 0.375
191140044-in		ø 0.438
191140050-in		ø 0.5
191140056-in		ø 0.563
191140063-in		ø 0.625
191140069-in		ø 0.688
191140075-in		ø 0.75
191140088-in		ø 0.875
191140100-in		ø 1



<b>ER 32</b>	mm	inch
191032000	ø 4-20	
191032030	ø 3	
191032040	ø 4	
191032050	ø 5	
191032060	ø 6	
191032070	ø 7	
191032080	ø 8	
191032090	ø 9	
191032100	ø 10	
191032110	ø 11	
191032120	ø 12	
191032130	ø 13	
191032140	ø 14	
191032150	ø 15	
191032160	ø 16	
191032170	ø 17	
191032180	ø 18	
191032190	ø 19	
191032200	ø 20	
191132001		ø 0.25-0.75
191132025-in		ø 0.25
191132031-in		ø 0.313
191132038-in		ø 0.375
191132044-in		ø 0.438
191132050-in		ø 0.5
191132056-in		ø 0.563
191132063-in		ø 0.625
191132069-in		ø 0.688
191132075-in		ø 0.75





| USA **WTO**  
WTO USA  
www.wto-usa.com

| Germany **WTO**  
WTO Headquarters  
www.wto-tools.com

| China **WTO**  
WTO Asia  
www.wto-asia.com

WTO Werkzeug-  
Einrichtungen GmbH  
Auf der oberen Au 45  
77797 Ohlsbach  
Germany

WTO Inc.  
13900-F South Lakes Dr.  
Charlotte, NC 28273  
USA

WTO Asia  
Room 109-110, Building 2  
No. 228 Banting Road  
Jiuting Town,  
Songjiang District  
201615 Shanghai  
China

## Our distribution partners. Competence right there.

| Australia  
Dimac Tooling Ltd.  
sales@dimac.com.au

| Finland  
Suomen Terästuonti Oy  
myynti@stt.as

| Korea  
WTO Office Korea  
is.chon@wto-korea.com

| Slovakia  
ALBA precision s.r.o.  
albaprecision@albaprecision.sk

| Belarus  
LLC "PMI Engineering"  
tool@pmi.by

| France  
Philippe Tagliafero  
pta@wto.de

| Mexico  
Workholding Engineering De México  
info@wem.com.mx

| Spain  
ITALMATIC, S.A.  
italmatic@italmatic.es

| Brazil  
TF2  
tfdois@tfdois.com.br

| Great Britain  
Cutwel Ltd.  
sales@cutwel.net

| Netherlands  
Toologic BeNeLux B.V.  
info@toologic-benelux.nl

| Sweden  
Bonthron & Ewing AB  
info@bonthron-ewing.se

| Canada  
Mittmann Industrial Inc.  
info@mittmann.com

| India  
Ulhas Patil  
u.patil@wto-asia.com

| Norway  
Helge Karlsen Verktøy og Maskin AS  
hkvm@hkvm.no

| Switzerland  
Utilis AG  
info@utilis.com

| China  
Shanghai Gangde  
wtocando@yahoo.com

| Israel  
E.Y.A.R. Ltd.  
boris@eyar.co.il

| Poland  
ARCO Andrzej Rudenko  
info@arcotools.pl

| Taiwan  
Kaiko Co., Ltd.  
info@kaiko.com.tw

| Czech Republic  
ALBA precision, spol. s.r.o.  
info@albaprecision.cz

| Italy  
Prymark srl  
commerciale@prymark.it

| Romania  
SC Elif Trading SRL  
bulent.ozkan@eliftrading.com

| Turkey  
MYK CNC MAKINA SAN. VE  
huseyin.tatidil@mykcnc.com.tr

| Denmark  
Tool-part  
cj@tool-part.dk

| Japan  
NK Works Co. Ltd.  
k\_samba@nk-works.co.jp

| Russia  
WTO Office Russia  
office@wto-russia.com

| Ukraine  
„LLC“ SPA Stankopromimport  
info@phoenix-ua.com