

# Toolholder Program

GLS-150, 200 M/Y (new turret version)

GLS-1500, 2000 M/LY/LMS/LYS

GLS-2800-3300 M/Y/MS/YS

GMS-2000 ST (15 station turret)

GS-200-280 M/MS, GA-2000-3600 M

GS-400, 600, 6000, 6600, 8000, 8800 M

GS-2000 - 4000 M/Y/MS/YS (12 station turret)

GS-2000 - 3300 M/Y/MS/YS (16 station turret)

GTS-150 MMX/XY (new turret version)

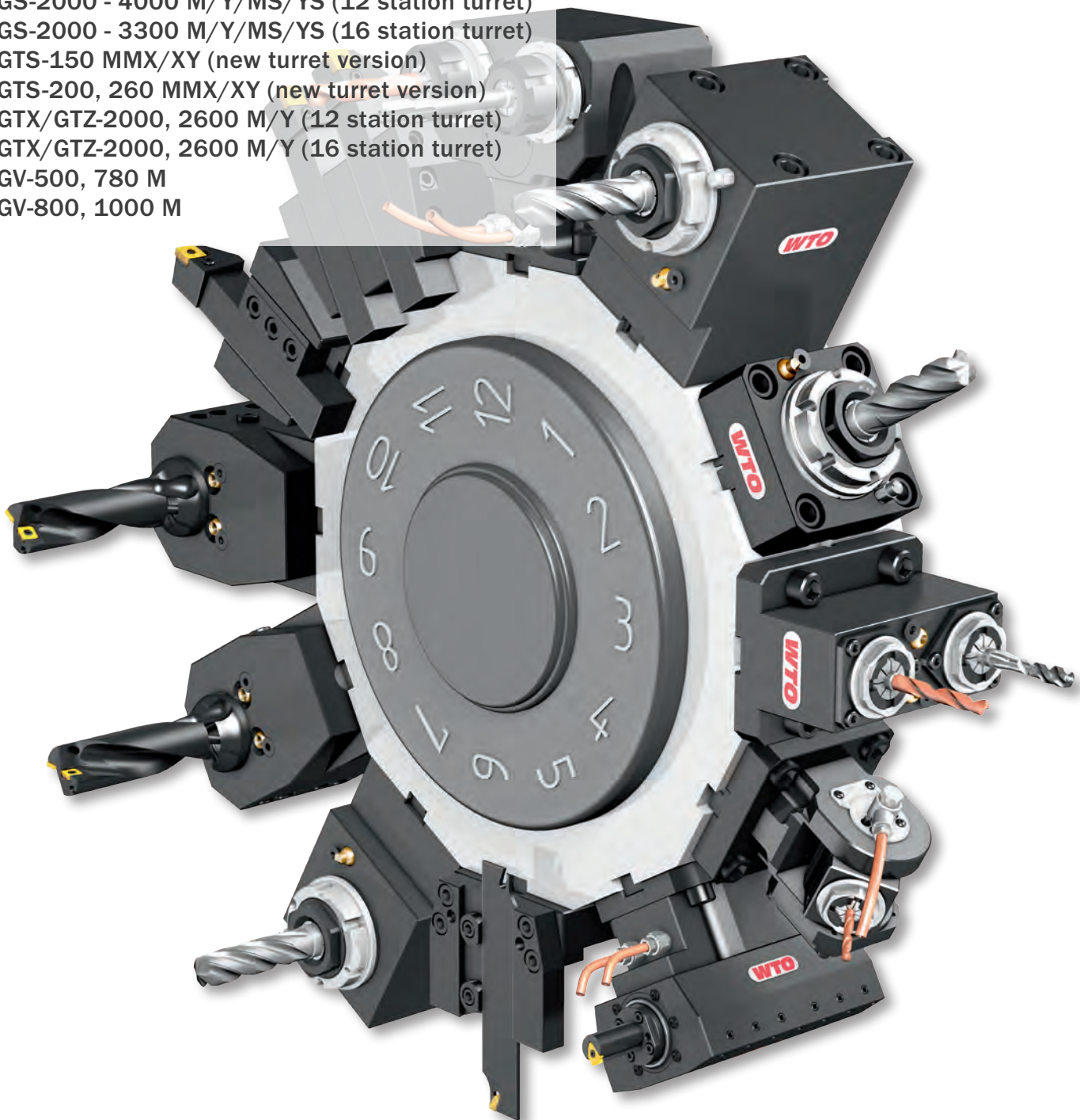
GTS-200, 260 MMX/XY (new turret version)

GTX/GTZ-2000, 2600 M/Y (12 station turret)

GTX/GTZ-2000, 2600 M/Y (16 station turret)

GV-500, 780 M

GV-800, 1000 M



# QuickFlex®

The new quick change system for high performance and precision.

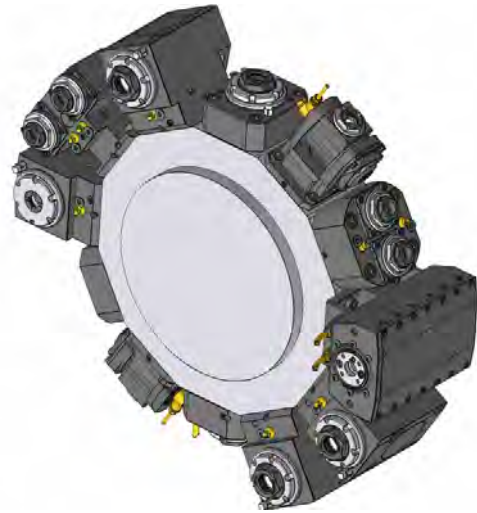
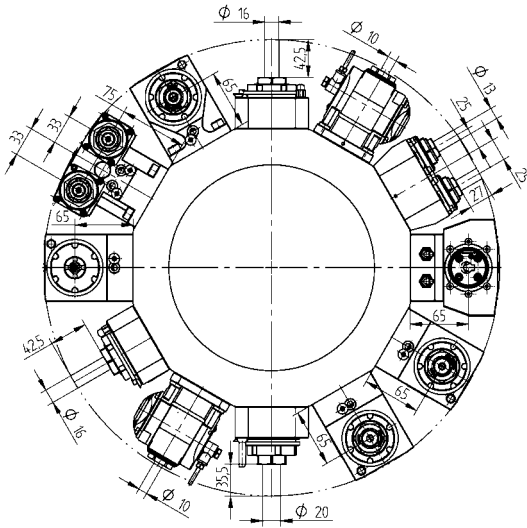
Minimal investment, maximal expandability.



Designed  
for  
BMT Turrets

GLS-150, 200 M/Y (new turret version)	Page	4 - 5
GLS-1500, 2000 M/LY/LMS/LYS	Page	6 - 7
GLS-2800-3300 M/Y/MS/YS	Page	8 - 11
GMS-2000 ST (15 station turret)	Page	12 - 15
GS-200-280 M/MS, GA-2000-3600 M	Page	16 - 19
GS-400, 600, 6000, 6600, 8000, 8800 M	Page	20 - 20
GS-2000 - 4000 M/Y/MS/YS (12 station turret)	Page	21 - 23
GS-2000 - 3300 M/Y/MS/YS (16 station turret)	Page	24 - 27
GTS-150 MMX/XY (new turret version)	Page	28 - 29
GTS-200, 260 MMX/XY (new turret version)	Page	30 - 31
GTX/GTZ-2000, 2600 M/Y (12 station turret)	Page	32 - 35
GTX/GTZ-2000, 2600 M/Y (16 station turret)	Page	36 - 38
GV-500, 780 M	Page	39 - 39
GV-800, 1000 M	Page	40 - 40
Reduction sleeves	Page	41 - 44
Collets	Page	45 - 47

**EC = External coolant supply**  
**HP-IC = High pressure internal coolant supply through cutting tool**  
**IC 80 bar = Internal and external coolant supply**  
 Max. coolant pressure = 80 bar  
**IC 30 bar = Internal and external coolant supply**  
 Max. coolant pressure = 30 bar  
 Only use filtered coolant fluid (max. particle size = 50 µm)  
 Do not run without coolant  
 Do not use for machining abrasive materials such as cast iron, etc.



Driven Toolholders - QuickFlex®

Driven Toolholders - Enhanced Program



**Straight drill/milling unit**

**ER-25 QF** 420125010-45 1:1 EC  
 0067725000

**ER-25 QF** 420125011-45 1:1 IC 80 bar  
 0067725000



**Right angle drill/milling unit**

**ER-25 QF** 420525010-45 1:1 EC  
 0067725000

**ER-25 QF** 420525011-45 1:1 IC 80 bar  
 0067725000



**Straight drill/milling unit**

**ER 32** 410120002-45 1:1 EC  
 0067525000

**ER 32** 410120003-45 1:1 IC 80 bar  
 0067525000



**Straight offset drill/milling unit**

**ER 25** 410116006-45 1:1 EC  
 00675000932

**ER 25** 410116007-45 1:1 IC 80 bar  
 00675000932

**ER 20** 410113002-45 1:2 EC  
 00675000939

**ER 20** 410113003-45 1:2 IC 80 bar  
 00675000939

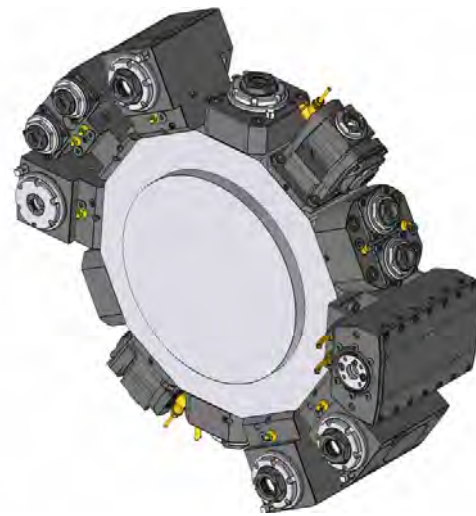
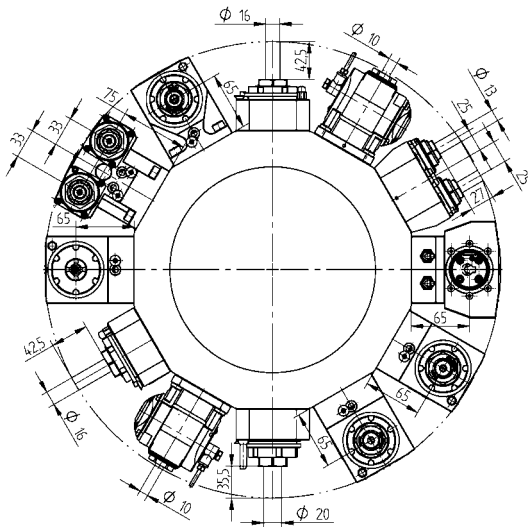
**ER 16** 410110000-45 1:3 EC  
 00675000937

**ER 16** 410110001-45 1:3 IC 80 bar  
 00675000937

**ER 25** 410116008-45 1.5:1 EC  
 00675000932

**ER 25** 410116009-45 1.5:1 IC 80 bar  
 00675000932





Driven Toolholders - Enhanced Program



**Right angle drill/milling unit**

<b>ER 32</b>	410520010-45	1:1	EC
	0067725000		
<b>ER 32</b>	410520007-45	1:1	IC 80 bar
	0067725000		
<b>ER-20 QF</b>	420520010-45	1:2	EC
	0067720001		
<b>ER-20 QF</b>	420520011-45	1:2	IC 80 bar
	0067720001		
<b>ER 16</b>	410810002-45	1:3	EC
	00675000841		
<b>ER 16</b>	410810003-45	1:3	IC 80 bar
	00675000841		
<b>ER-25 QF</b>	420525013-45	2:1	EC
	0067725000		
<b>ER-25 QF</b>	420525014-45	2:1	IC 80 bar
	0067725000		
<b>ER 32</b>	410520008-45	2:1	EC
	00675000827		
<b>ER 32</b>	410520009-45	2:1	IC 80 bar
	00675000827		



**Adjustable angle drill/milling unit**

<b>ER 16</b>	411010000-45	1:1	EC
	00675000902		
<b>ER 16</b>	411010001-45	1:1	IC 80 bar
	00675000902		
<b>ER 11</b>	411007000-45	1:2	EC
	00675000914		
<b>ER 11</b>	411007001-45	1:2	IC 80 bar
	00675000914		

Driven Toolholders - Enhanced Program



**Slitting saw unit**

<b>Type 14-2</b>	411500001-45	2.73:1	EC
	00675000489		
	160016142 Ø 16		
	160022142 Ø 22		
	160027142 Ø 27		
	160015142 Ø 5/8"		
	160019142 Ø 3/4"		
	160023142 Ø 7/8"		
	160025142 Ø 1"		



**Straight drill/milling unit, double, Y axis**

<b>ER 20</b>	413002007-45	1:1	EC
	00675001016		



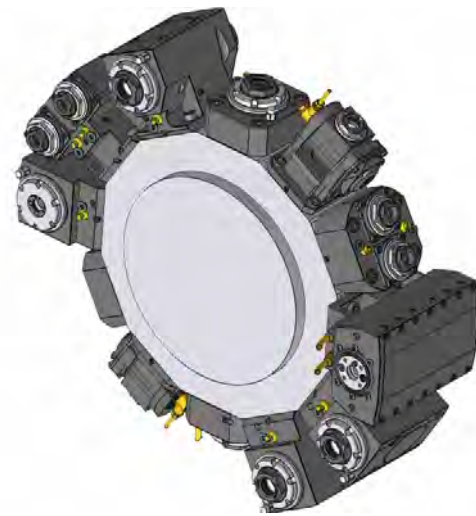
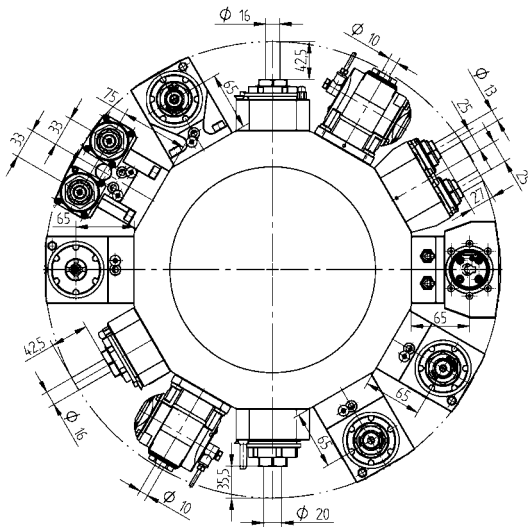
**2-spindle - Face drill/milling unit, Y axis**

<b>ER 20</b>	413502000-45	1:1	EC
	00675001016		



**Broaching unit for ID and OD**

<b>TN765050</b>	414532001-45	1:1	EC
-----------------	--------------	-----	----



Driven Toolholders - QuickFlex®



**Straight drill/milling unit**

**ER-25 QF** 420125010-45 1:1 EC  
 0067725000

**ER-25 QF** 420125011-45 1:1 IC 80 bar  
 0067725000



**Right angle drill/milling unit**

**ER-25 QF** 420525010-45 1:1 EC  
 0067725000

**ER-25 QF** 420525011-45 1:1 IC 80 bar  
 0067725000



**Right angle drill/milling unit, both sides**

**ER-25 QF** 420525012-45 1:1 EC  
 0067725000

Driven Toolholders - Enhanced Program



**Straight drill/milling unit**

**ER 32** 410120002-45 1:1 EC  
 0067525000

**ER 32** 410120003-45 1:1 IC 80 bar  
 0067525000



**Straight offset drill/milling unit**

**ER 25** 410116006-45 1:1 EC  
 00675000932

**ER 25** 410116007-45 1:1 IC 80 bar  
 00675000932

**ER 20** 410113002-45 1:2 EC  
 00675000939

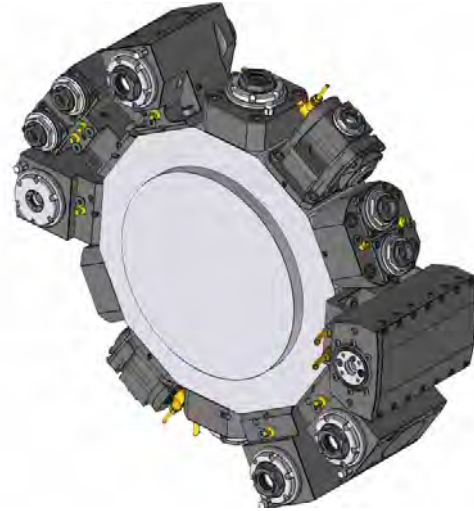
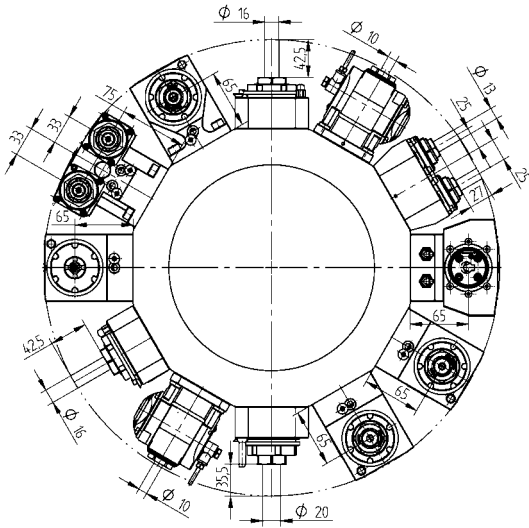
**ER 20** 410113003-45 1:2 IC 80 bar  
 00675000939

**ER 16** 410110000-45 1:3 EC  
 00675000937

**ER 16** 410110001-45 1:3 IC 80 bar  
 00675000937

**ER 25** 410116008-45 1.5:1 EC  
 00675000932

**ER 25** 410116009-45 1.5:1 IC 80 bar  
 00675000932



Driven Toolholders - Enhanced Program



<b>Right angle drill/milling unit</b>				
<b>ER 32</b>	410520010-45	1:1	EC	
	0067725000			
<b>ER 32</b>	410520007-45	1:1	IC 80 bar	
	0067725000			
<b>ER-20 QF</b>	420520010-45	1:2	EC	
	0067720001			
<b>ER-20 QF</b>	420520011-45	1:2	IC 80 bar	
	0067720001			
<b>ER 16</b>	410810002-45	1:3	EC	
	00675000841			
<b>ER 16</b>	410810003-45	1:3	IC 80 bar	
	00675000841			
<b>ER-25 QF</b>	420525013-45	2:1	EC	
	0067725000			
<b>ER-25 QF</b>	420525014-45	2:1	IC 80 bar	
	0067725000			
<b>ER 32</b>	410520008-45	2:1	EC	
	00675000827			
<b>ER 32</b>	410520009-45	2:1	IC 80 bar	
	00675000827			



<b>Adjustable angle drill/milling unit</b>				
<b>ER 16</b>	411010000-45	1:1	EC	
	00675000902			
<b>ER 16</b>	411010001-45	1:1	IC 80 bar	
	00675000902			
<b>ER 11</b>	411007000-45	1:2	EC	
	00675000914			
<b>ER 11</b>	411007001-45	1:2	IC 80 bar	
	00675000914			

Driven Toolholders - Enhanced Program



<b>Slitting saw unit</b>				
<b>Type 14-2</b>	411500001-45	2.73:1	EC	
	00675000489			
	160016142 Ø 16			
	160022142 Ø 22			
	160027142 Ø 27			
	160015142 Ø 5/8"			
	160019142 Ø 3/4"			
	160023142 Ø 7/8"			
	160025142 Ø 1"			



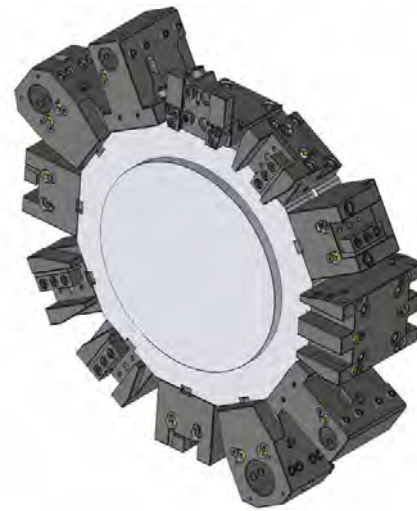
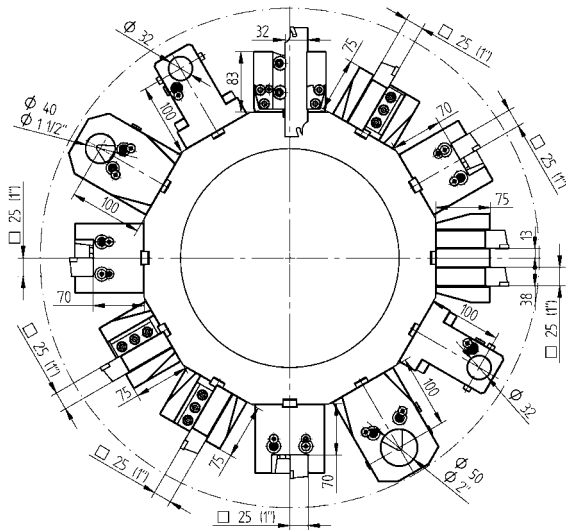
<b>Straight drill/milling unit, double, Y axis</b>				
<b>ER 20</b>	413002007-45	1:1	EC	
	00675001016			



<b>2-spindle - Face drill/milling unit, Y axis</b>				
<b>ER 20</b>	413502000-45	1:1	EC	
	00675001016			



<b>Broaching unit for ID and OD</b>				
<b>TN765050</b>	414532001-45	1:1	EC	



Static Toolholders - Standard Program

Static Toolholders - Standard Program



**OD cutting holder**

25 48-92428  
1" 48-92466



**OD cutting holder, HP-IC**

25 48-92428-HP IC 80 bar  
1" 48-92466-HP IC 80 bar



**OD cutting holder, both sides**

25 48-92438  
1" 48-92472



**OD cutting holder, both sides, HP-IC**

25 48-92438-HP IC 80 bar  
1" 48-92472-HP IC 80 bar



**Face cutting holder**

25 48-86719  
1" 48-86720






**Face cutting holder, HP-IC**

25 48-109249-HP IC 80 bar  
1" 48-109250-HP IC 80 bar



**Combination toolholder, LF=100**

Ø 40 48-92397 IC 80 bar  
 241140020 ER32  
 241140026 ER40  
 Ø 50 48-92467 IC 80 bar  
 Ø 1 1/2" 48-92468 IC 80 bar  
 2411150020 ER32  
 Ø 2" 48-92469 IC 80 bar



**Boring bar holder, both sides**

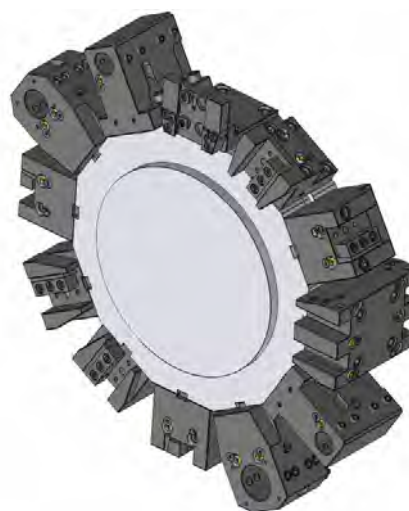
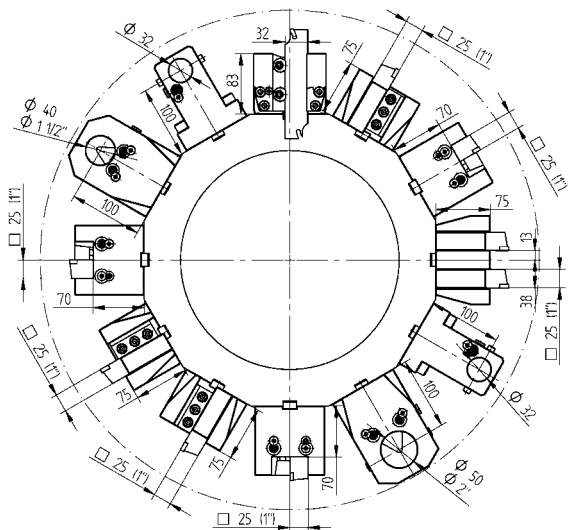
Ø 32 48-101033



**Cover plate**

48-87089





### Static Toolholders - Enhanced Program



**OD cutting holder, double, Y axis**  
25(1") 48-86103



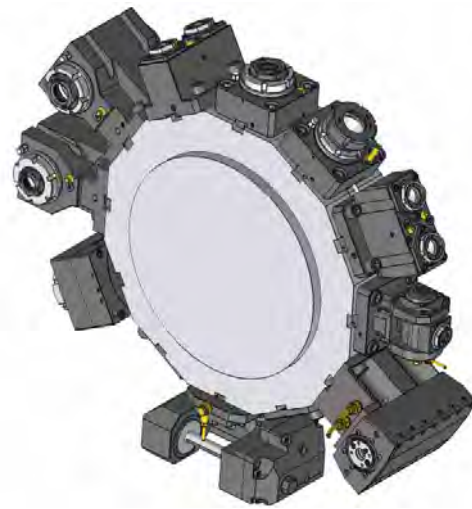
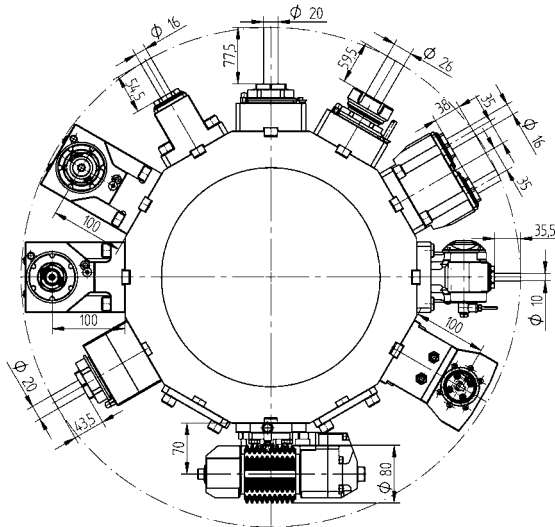
**OD cutting holder, both sides, double, Y axis**  
25(1") 48-86150




**Cut-off holder, adjustable**  
SH 32 48-99060






**Cut-off holder, adjustable, HP-IC**  
SH 32 48-102256R IC 80 bar  
SH 32 48-102256L IC 80 bar






Driven Toolholders - QuickFlex®


- 

**Straight drill/milling unit**  
**ER-32 QF** 420132015-65 1:1 EC  
 0067732000


**ER-32 QF** 420132016-65 1:1 IC 80 bar  
 0067732000
- 



**Right angle drill/milling unit, LF=100**  
**ER-32 QF** 420532018-65 1:1 EC  
 0067732000


**ER-32 QF** 420532019-65 1:1 IC 80 bar  
 0067732000
- 



**Right angle drill/milling unit, both sides, LF=100**  
**ER-32 QF** 420532020-65 1:1 EC  
 0067732000


Driven Toolholders - Enhanced Program


- 


**Straight drill/milling unit**  
**ER 40** 410126001-65 1:1 EC  
 00675000079
- 



**Straight milling unit with combination mill arbor DIN 6358**  
**Ø 22** 410222002-65 1:1 EC  
 00675000483


**Ø 1"** 410225002-65 1:1 EC  
 00675000483
- 


**Straight offset drill/milling unit**  
**ER-32 QF** 420132037-65 1:1 EC  
 0067732000

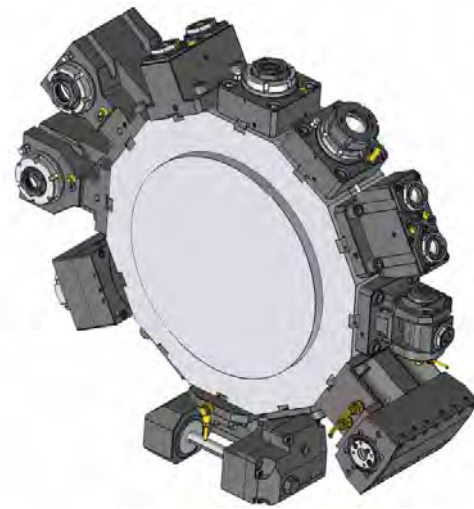
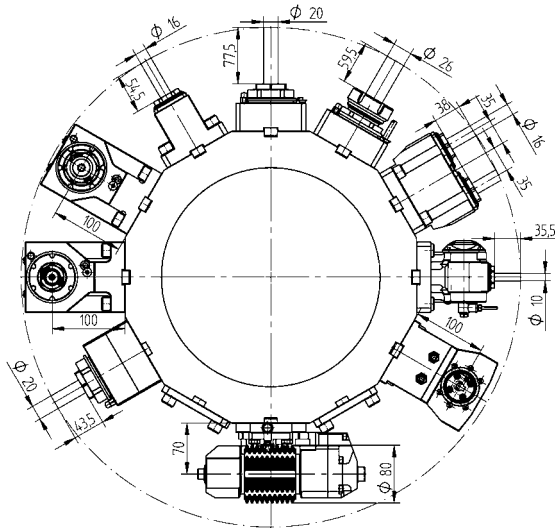
**ER-32 QF** 420132038-65 1:1 IC 80 bar  
 0067732000

**ER-25 QF** 420125010-65 1:2 EC  
 0067725001

**ER-25 QF** 420125011-65 1:2 IC 80 bar  
 0067725001
- 

**Right angle drill/milling unit, LF=100**  
**ER 40** 410526007-65 1:1 EC  
 00675000079

**ER 40** 410526008-65 1:1 IC 80 bar  
 00675000079



Driven Toolholders - Enhanced Program

Driven Toolholders - Enhanced Program



**Right angle drill/milling unit, LF=100**

<b>ER-25 QF</b>	420525012-65	1:2	EC
	0067725001		
<b>ER-25 QF</b>	420525013-65	1:2	IC 80 bar
	0067725001		
<b>ER-32 QF</b>	420532029-65	2:1	EC
	0067732000		
<b>ER-32 QF</b>	420532030-65	2:1	IC 80 bar
	0067732000		



**Right angle milling unit with combination mill arbor DIN 6358, LF=100**

<b>Ø 22</b>	410622002-65	1:1	EC
	00675000483		
<b>1"</b>	410625002-65	1:1	EC
	00675000483		



**Adjustable angle drill/milling unit**

<b>ER 16</b>	411010002-65	1:1	EC
	00675000902		
<b>ER 16</b>	411010003-65	1:1	IC 80 bar
	00675000902		
<b>ER 11</b>	411007002-65	1:2	EC
	00675000914		
<b>ER 11</b>	411007003-65	1:2	IC 80 bar
	00675000914		



**Gear hobbing unit**

<b>Type 16-1</b>	411500003-65	1:1	EC
<b>Type 16-1</b>	411500002-65	2:1	EC
	00675000927		
	160016161 Ø 16		
	160022161 Ø 22		
	160027161 Ø 27		
	160015161 Ø 5/8"		
	160019161 Ø 3/4"		
	160025161 Ø 1"		
	96394		



**Straight drill/milling unit, both sides**

<b>ER 25</b>	413002001-65	1:1	EC
	00675000907		



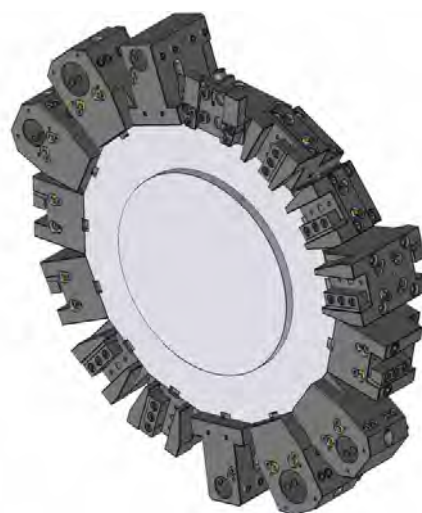
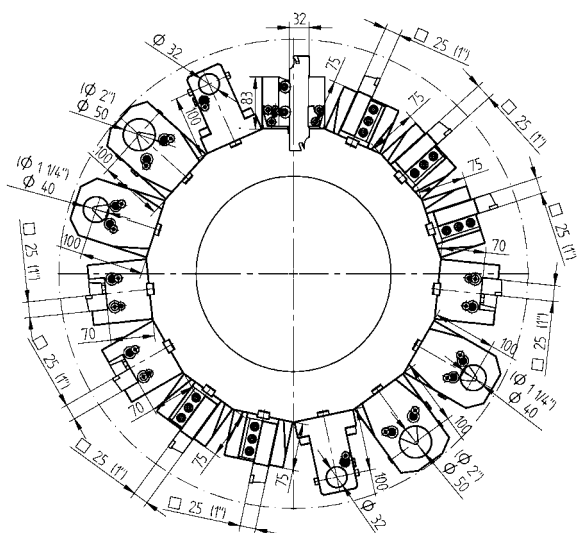
**Straight drill/milling unit, double, Y axis**

<b>ER 25</b>	413002004-65	1:1	EC
	00675000907		



**Broaching unit for ID and OD**

<b>TN765050</b>	414532000-65	1:1	EC
-----------------	--------------	-----	----



Static Toolholders - Standard Program

Static Toolholders - Standard Program



**OD cutting holder**

- 25 48-92428
- 1" 48-92466



**OD cutting holder, HP-IC**

- 25 48-92428-HP IC 80 bar
- 1" 48-92466-HP IC 80 bar



**OD cutting holder, both sides**

- 25 48-92438
- 1" 48-92472



**OD cutting holder, both sides, HP-IC**

- 25 48-92438-HP IC 80 bar
- 1" 48-92472-HP IC 80 bar



**Face cutting holder**

- 25 48-86719
- 1" 48-86720



**Face cutting holder, HP-IC**

- 25 48-109249-HP IC 80 bar
- 1" 48-109250-HP IC 80 bar



**Combination toolholder, LF=100**

- Ø 40 48-92397 IC 80 bar
- 241140020 ER32
- 241140026 ER40
- Ø 50 48-92467 IC 80 bar
- Ø 1 1/2" 48-92468 IC 80 bar
- 2411150020 ER32
- Ø 2" 48-92469 IC 80 bar



**Boring bar holder, both sides**

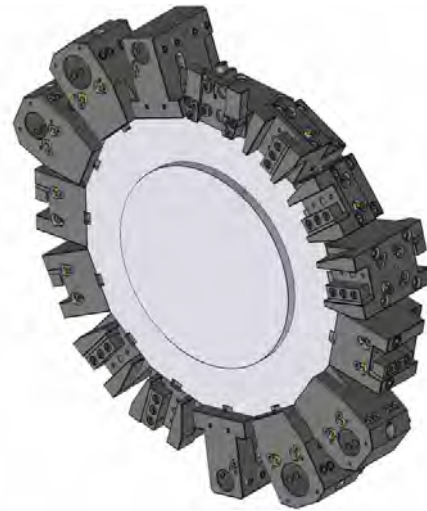
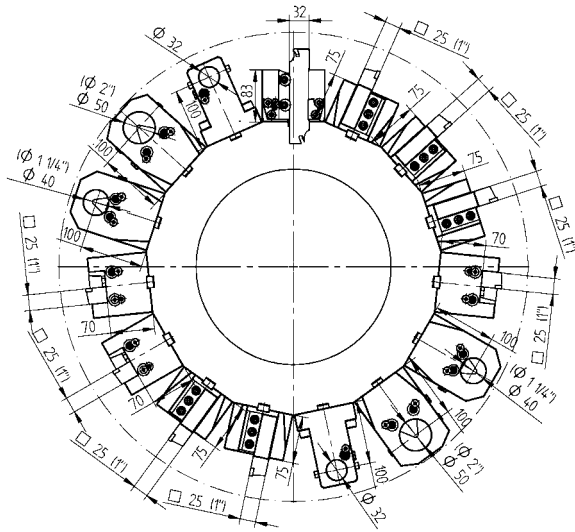
- Ø 32 48-101033



**Cover plate**

- 48-87089





Static Toolholders - Enhanced Program



**Cut-off holder, adjustable**

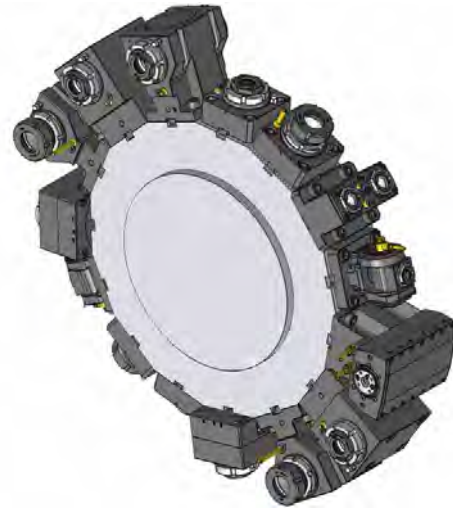
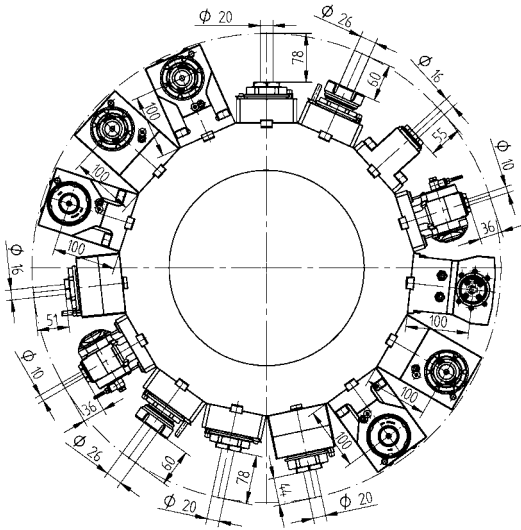
**SH 32**     48-99060



**Cut-off holder, adjustable, HP-IC**

**SH 32**     48-102256R     IC 80 bar

**SH 32**     48-102256L     IC 80 bar



Driven Toolholders - QuickFlex®



- Straight drill/milling unit**
- ER-32 QF 420132015-65 1:1 EC  
0067732000
  - ER-32 QF 420132016-65 1:1 IC 80 bar  
0067732000



- Right angle drill/milling unit, LF=100**
- ER-32 QF 420532018-65 1:1 EC  
0067732000
  - ER-32 QF 420532019-65 1:1 IC 80 bar  
0067732000



- Right angle drill/milling unit, both sides, LF=100**
- ER-32 QF 420532020-65 1:1 EC  
0067732000

Driven Toolholders - Enhanced Program



- Straight drill/milling unit**
- ER 40 410126001-65 1:1 EC  
00675000079



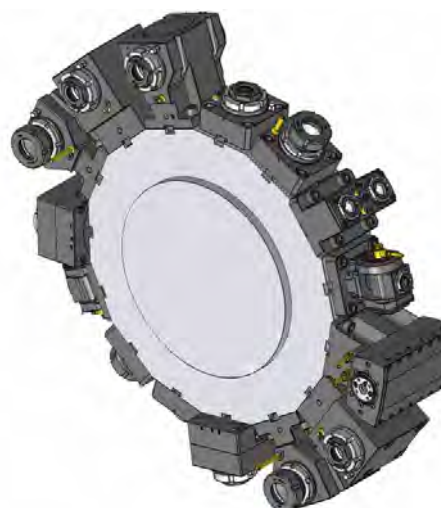
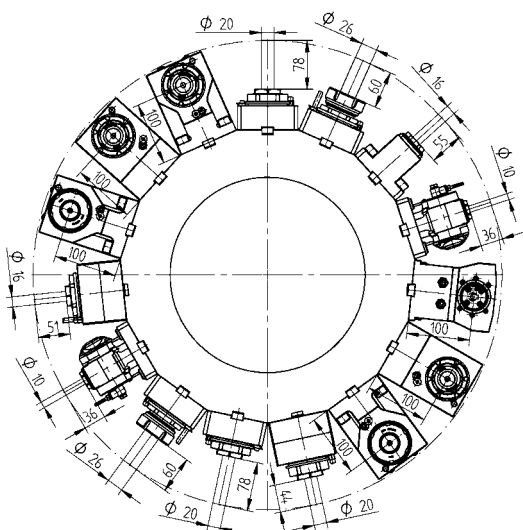
- Straight milling unit with combination mill arbor DIN 6358**
- Ø 22 410222002-65 1:1 EC  
00675000483
  - Ø 1" 410225002-65 1:1 EC  
00675000483



- Straight offset drill/milling unit**
- ER-32 QF 420132037-65 1:1 EC  
0067732000
  - ER-32 QF 420132038-65 1:1 IC 80 bar  
0067732000
  - ER-25 QF 420125010-65 1:2 EC  
0067725001
  - ER-25 QF 420125011-65 1:2 IC 80 bar  
0067725001



- Right angle drill/milling unit, LF=100**
- ER 40 410526007-65 1:1 EC  
00675000079
  - ER 40 410526008-65 1:1 IC 80 bar  
00675000079



Driven Toolholders - Enhanced Program



**Right angle drill/milling unit, LF=100**

<b>ER-25 QF</b>	420525012-65	1:2	EC
	0067725001		
<b>ER-25 QF</b>	420525013-65	1:2	IC 80 bar
	0067725001		
<b>ER-32 QF</b>	420532029-65	2:1	EC
	0067732000		
<b>ER-32 QF</b>	420532030-65	2:1	IC 80 bar
	0067732000		



**Right angle milling unit with combination mill arbor DIN 6358, LF=100**

<b>Ø 22</b>	410622002-65	1:1	EC
	00675000483		
<b>1"</b>	410625002-65	1:1	EC
	00675000483		



**Adjustable angle drill/milling unit**

<b>ER 16</b>	411010002-65	1:1	EC
	00675000902		
<b>ER 16</b>	411010003-65	1:1	IC 80 bar
	00675000902		
<b>ER 11</b>	411007002-65	1:2	EC
	00675000914		
<b>ER 11</b>	411007003-65	1:2	IC 80 bar
	00675000914		



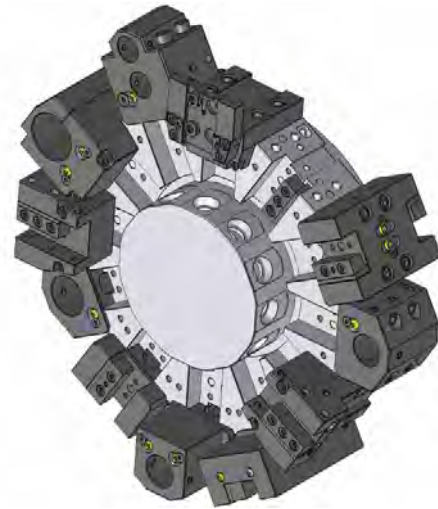
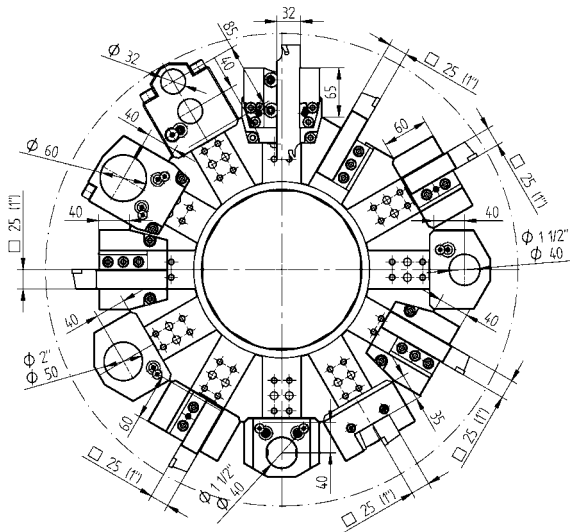
**Straight drill/milling unit, both sides**

<b>ER 25</b>	413002001-65	1:1	EC
	00675000907		




**Broaching unit for ID and OD**


<b>TN765050</b>	414532000-65	1:1	EC
-----------------	--------------	-----	----





Static Toolholders - Standard Program


Static Toolholders - Standard Program


- 


**Wedge block**  
25(1") 48-B27036
- 


**Wedge shim**  
25 48-B27037  
1" 48-B27038
- 

**OD cutting holder, extended**  
25 48-T00076
- 


**OD cutting holder, both sides (only for turret width 85 mm)**  
25 48-T00158
- 


**Face cutting holder, extended**  
25 48-T00082
- 


**Cut-off holder**  
25 48-T00156
- 

**Boring bar holder**  
Ø 40 48-T10036  
Ø 50 48-T10044  
Ø 1 1/2" 48-T10037  
Ø 2" 48-T10045
- 

**Boring bar holder, extended**  
Ø 1 1/2" 48-T10039

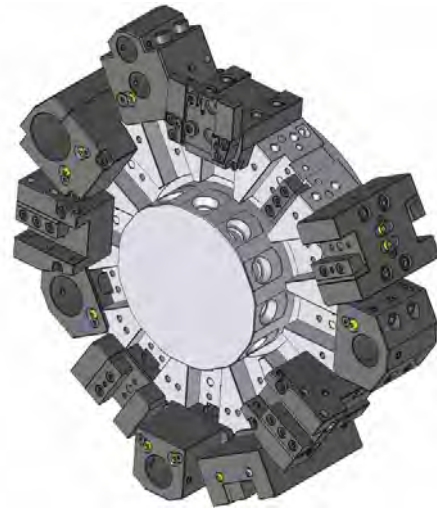
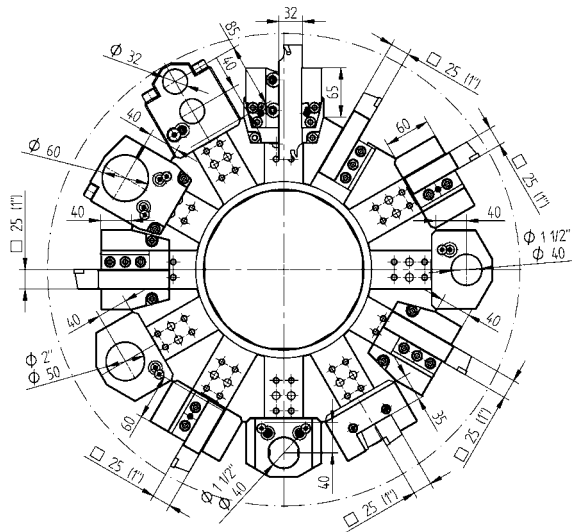
- 

**Combination toolholder**  
Ø 40 48-T13064 IC 80 bar  
Ø 50 48-83292 IC 80 bar  
Ø 1 1/2" 48-T13065 IC 80 bar  
Ø 2" 48-83294 IC 80 bar
- 

**Combination toolholder, extended**  
Ø 40 48-T10038 IC 80 bar
- 

**Boring bar holder, both sides**  
Ø 32 48-T10086





Static Toolholders - Enhanced Program



**Work stopper**  
48-T17002



**Cut-off holder, adjustable**  
SH 32 48-104535



**Cut-off holder, adjustable, HP-IC**  
SH 32 48-104533R IC 80 bar  
343-810100R67  
SH 32 48-104533L IC 80 bar  
343-810100L67



**Boring bar holder, with slot**  
Ø 40 48-88503  
Ø 50 48-88501  
Ø 60 48-85667



**Boring bar holder, double**  
Ø 25 48-83452  
Ø 1" 48-83592



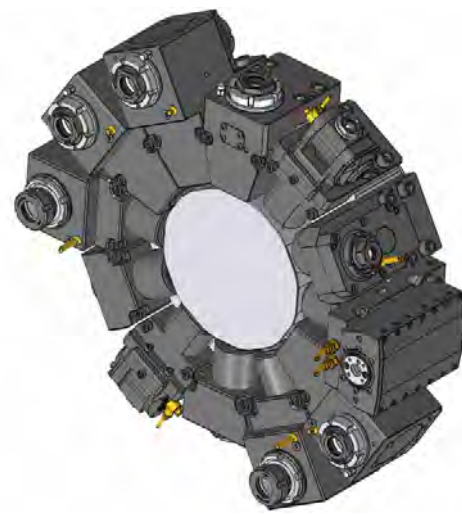
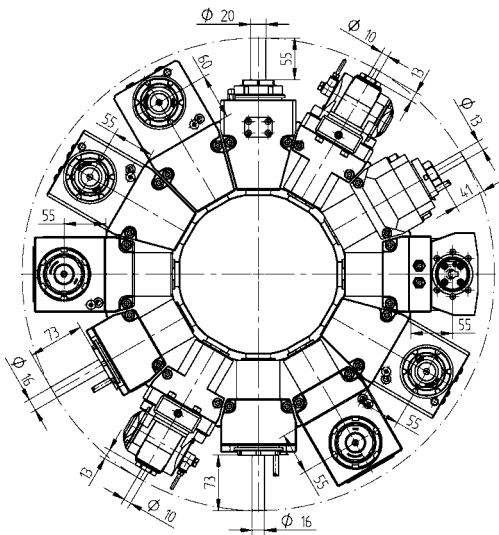
**VDI adapter, left**  
VDI 30 48-83473



**VDI adapter, right**  
VDI 30 48-49950



**VDI adapter, both sides**  
VDI 30 48-50896



Driven Toolholders - Performance Series



**OD drill/milling unit**

**ER 32** 410120000-00 1:1 EC  
T32115, T32155,  
T32401

00675000780

**ER 32** 410120001-00 1:1 IC 30 bar  
T32341

00675000780



**Face drill/milling unit**

**ER 32** 410520000-00 1:1 EC  
T32114, T32154,  
T32400

00675000780



**Face drill/milling unit, sub spindle**

**ER 32** 410520012-00 1:1 EC  
T32121, T32366,  
T32409

00675000780

**ER 32** 410520016-00 1:1 IC 80 bar

00675000780



**Face drill/milling unit, both sides**

**ER 32** 410520018-00 1:1 EC  
T32136, T32367,  
T32410

00675000780

Driven Toolholders - QuickFlex®



**OD drill/milling unit**

**ER-32 QF** 420132010-00 1:1 EC  
0067732000

**ER-32 QF** 420132011-00 1:1 IC 80 bar  
0067732000



**Face drill/milling unit**

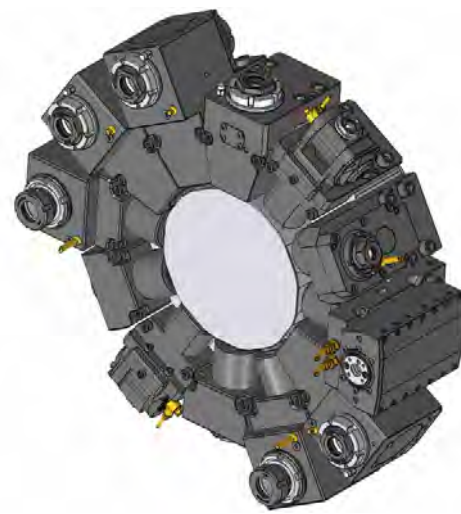
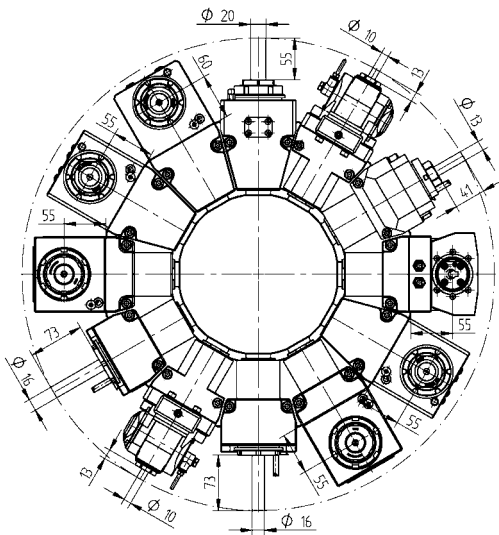
**ER-32 QF** 420532010-00 1:1 EC  
0067732000

**ER-32 QF** 420532011-00 1:1 IC 80 bar  
0067732000


















**Face drill/milling unit, both sides**





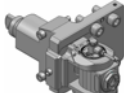














**ER-32 QF** 420532014-00 1:1 EC  
0067732000

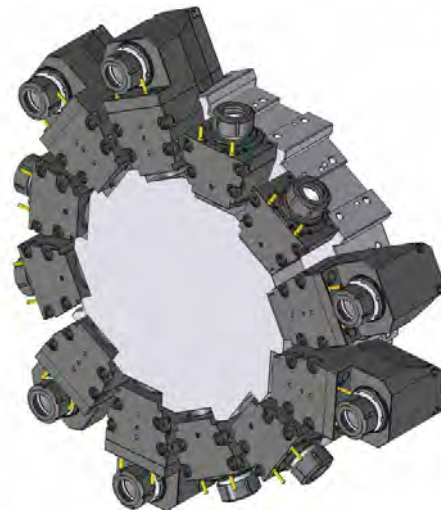
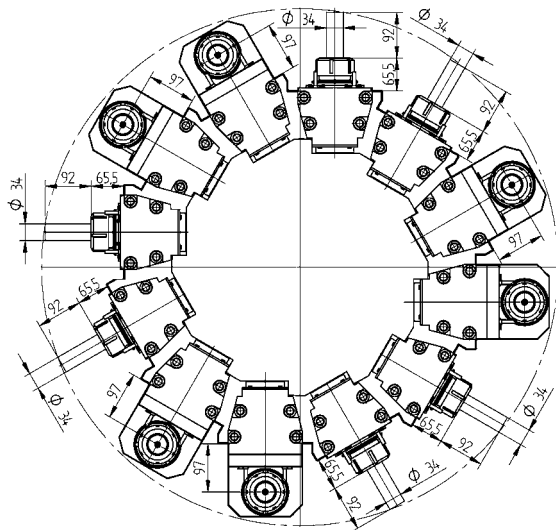


Driven Toolholders - Enhanced Program

	<b>OD drill/milling unit</b>			
	ER 25	410116010-00	1:1	EC
		 00675000831		
	<b>OD drill/milling unit, offset</b>			
	ER 20	410113006-00	1:2	EC
		 00675000621		
	ER 20	410113004-00	1:2	IC 80 bar
		 00675000621		
	<b>OD drill/milling unit for Weldon or Whistle Notch shank</b>			
	Ø 16	410116004-00	1:1	EC
	<b>OD milling unit</b>			
	Ø 16	410216002-00	1:1	EC
		 00675000854		
	Ø 3/4"	410219000-00	1:1	EC
		 00675000891		
	Ø 22	410222000-00	1:1	EC
		 00675000483		
	<b>Face drill/milling unit</b>			
	ER-25 QF	420525010-00	1:2	EC
		 0067725001		
	ER-25 QF	420525011-00	1:2	IC 80 bar
		 0067725001		
	ER 32	410520017-00	2:1	EC
		 00675000780		
	<b>Face drill/milling unit with Weldon or Whistle Notch shank</b>			
	Ø 25	410525002-00	1:1	EC
	Ø 25	410525003-00	1:1	IC 80 bar
	Ø 25	410525005-00	2:1	EC

Driven Toolholders - Enhanced Program

	<b>Face milling unit with combination mill arbor DIN 6358</b>			
	Ø 22	410622001-00	1:1	EC
		 00675000483		
	Ø 27	410627003-00	1:1	EC
		 00675000245		
	Ø 27	410627002-00	2:1	EC
		 00675000245		
	<b>Adjustable angle drill/milling unit</b>			
	ER 16	411010008-00	1:1	EC
		 00675000902		
	ER 16	411010007-00	1:1	IC 80 bar
		 00675000902		
	ER 11	411007004-00	1:2	EC
		 00675000914		
	ER 11	411007005-00	1:2	IC 80 bar
		 00675000914		
	<b>Slitting saw unit for interchangeable milling arbor</b>			
	Type 14-2	411500003-00	2.73:1	EC
		 00675000495		
		 160016142 Ø 16		
		 160022142 Ø 22		
		 160027142 Ø 27		
		 160015142 Ø 5/8"		
		 160019142 Ø 3/4"		
		 160023142 Ø 7/8"		
		 160025142 Ø 1"		
	<b>Broaching unit for ID and OD</b>			
	TN765050	414532000-00	1:1	EC



Driven Toolholders - Performance Series



**Straight drill/milling unit**

**ER 50** 410134000-00 1:1 EC  
T32137, T32247  
00675000652

**ER 50** 410134002-00 1:1 IC 80 bar  
00675000652



**Right angle drill/milling unit**

**ER 50** 410534002-00 1:1 EC  
00675000701

**ER 50** 410534003-00 1:1 IC 80 bar  
00675000701

Driven Toolholders - Enhanced Program



**Straight drill/milling unit for system BT 40**

**BT MAS403** 410140000-00 1:1 EC

**BT MAS403** 410140001-00 1:1 IC 80 bar

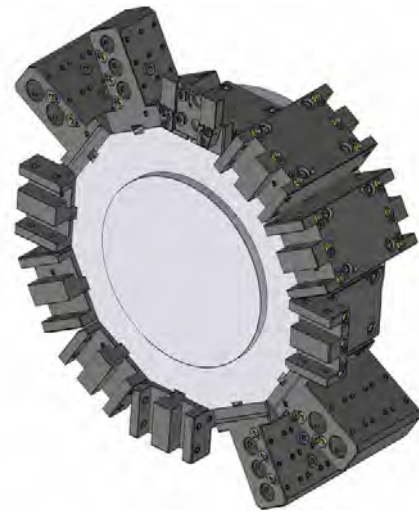
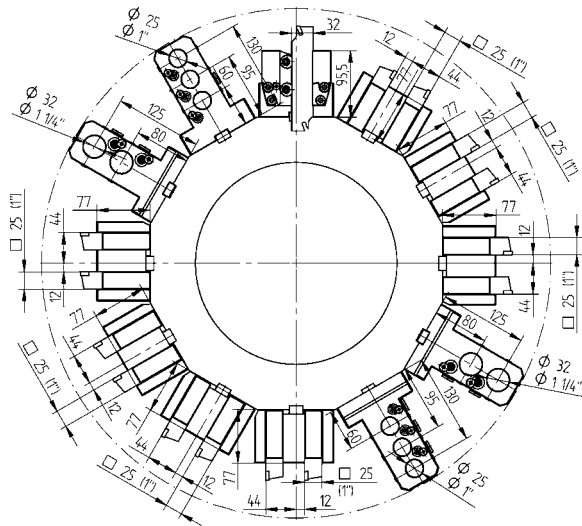


**Straight drill/milling unit for system ISO/CAT 40**

**ISO 40** 410140004-00 1:1 EC  
00675000875

**ISO 40** 410140005-00 1:1 IC 80 bar  
00675000875





Static Toolholders - Enhanced Program



**OD cutting holder, double, Y axis**  
 25(1") 48-85317



**OD cutting holder, both sides, double, Y axis**  
 25(1") 48-85318



**Cut-off holder, adjustable**  
 SH 32 48-99506



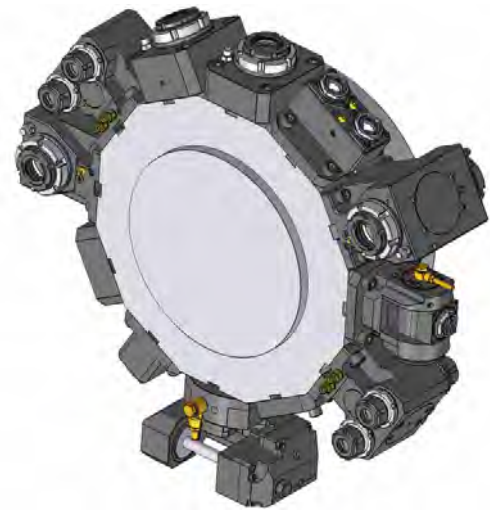
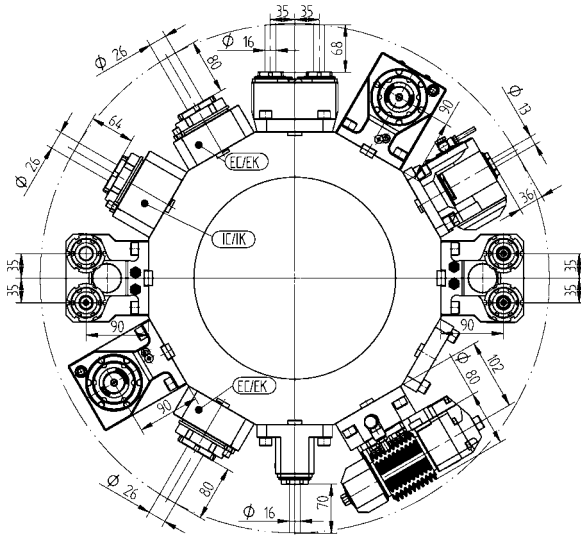
**Boring bar holder, triple, universal**  
 $\varnothing 25$  48-85319  
 $\varnothing 1"$  48-85320



**Boring bar holder, double, both sides**  
 $\varnothing 32$  48-85321  
 $\varnothing 1 1/4"$  48-85322



**Boring bar holder, triple, both sides**  
 $\varnothing 25$  48-85323  
 $\varnothing 1"$  48-85324

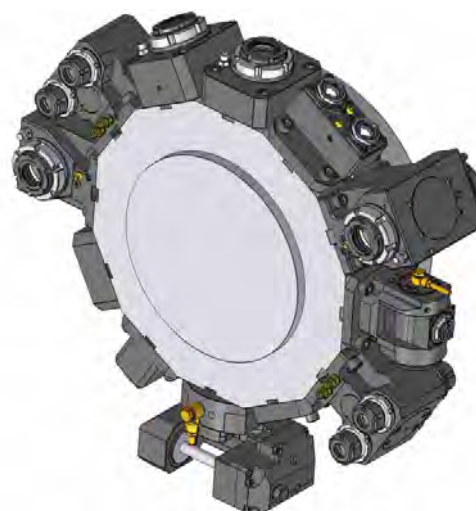
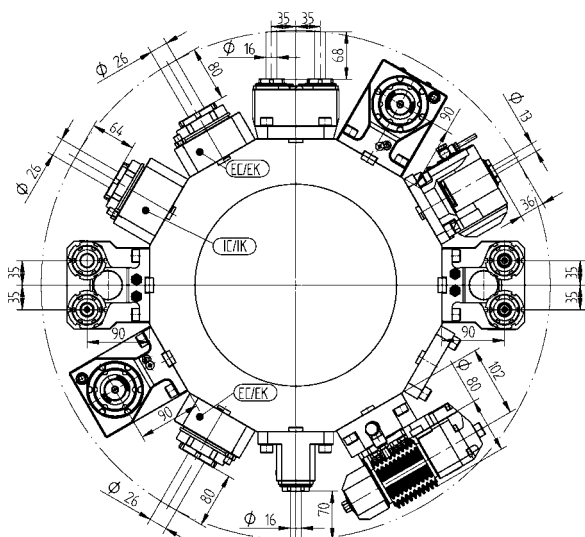


Driven Toolholders - QuickFlex®


Driven Toolholders - Enhanced Program

	<b>OD drill/milling unit</b>			
	<b>ER-40 QF</b> 420140018-60 1:1 EC 0067740000			
	<b>ER-40 QF</b> 420140019-60 1:1 IC 80 bar 0067740000			
	<b>Face drill/milling unit</b>			
	<b>ER-40 QF</b> 420540021-60 1:1 EC 0067740000			
	<b>ER-40 QF</b> 420540022-60 1:1 IC 80 bar 0067740000			
	<b>Face drill/milling unit, both sides</b>			
	<b>ER-40 QF</b> 420540023-60 1:1 EC 0067740000			

	<b>OD drill/milling unit for Weldon or Whistle Notch shank</b>			
	<b>Ø 25</b> 410125010-60 1:1 EC			
	<b>Ø 25</b> 410125011-60 1:1 IC 80 bar			
	<b>Ø 1"</b> 410125012-60 1:1 EC			
	<b>OD milling unit with combination mill arbor DIN 6358</b>			
	<b>Ø 22</b> 410222012-60 1:1 EC 00675000483			
	<b>Ø 27</b> 410227010-60 1:1 EC 00675000245			
	<b>Ø 1"</b> 410225001-60 1:1 EC 00675001010			
	<b>OD drill/milling unit, offset</b>			
	<b>ER-32 QF</b> 420132024-60 1:1 EC 0067732000			
	<b>ER-32 QF</b> 420132025-60 1:1 IC 80 bar 0067732000			
	<b>ER-25 QF</b> 420125012-60 1:2 EC 0067725001			
	<b>ER-25 QF</b> 420125013-60 1:2 IC 80 bar 0067725001			
	<b>Face drill/milling unit</b>			
	<b>ER 25</b> 410516010-60 1:2 EC 00675000801			
	<b>ER 25</b> 410516011-60 1:2 IC 80 bar 00675000801			
	<b>ER 40</b> 410526034-60 2:1 EC 00675000781			
	<b>ER 40</b> 410526035-60 2:1 IC 80 bar 00675000781			




Driven Toolholders - Enhanced Program




**Face drill/milling unit with Weldon or Whistle Notch shank**

Ø 25	410525015-60	1:1	EC
Ø 25	410525016-60	1:1	IC 80 bar
Ø 1"	410525017-60	1:1	EC
Ø 1"	410525018-60	1:1	IC 80 bar




**Face milling unit with combination mill arbor DIN 6358**

Ø 22	410622003-60	1:1	EC
	00675000483		
Ø 27	410627002-60	2:1	EC
	00675000245		
Ø 1"	410625001-60	1:1	EC
	00675000483		



**Adjustable angle drill/milling unit**


ER 20	411013013-60	1:1	EC
	00675000928		
ER 20	411013015-60	1:1	IC 80 bar
	00675000928		
ER 16	411010007-60	1:2	EC
	00675000936		
ER 16	411010008-60	1:2	IC 80 bar
	00675000936		



**Slitting saw unit**


Type 19-2	411500016-60	3:1	EC
	00675000855		

Driven Toolholders - Enhanced Program




**Gear hobbing unit**

Type 16-1	411500017-60	1:1	EC
Type 16-1	411500018-60	2:1	EC
	00675000926		
	160016161 Ø 16		
	160022161 Ø 22		
	160027161 Ø 27		
	160015161 Ø 5/8"		
	160019161 Ø 3/4"		
	160025161 Ø 1"		
	96394		




**OD drill/milling unit, both sides**

ER 25	413002006-60	1:1	EC
	00675000907		




**OD drill/milling unit, double, Y axis**

ER 25	413002007-60	1:1	EC
	00675000907		



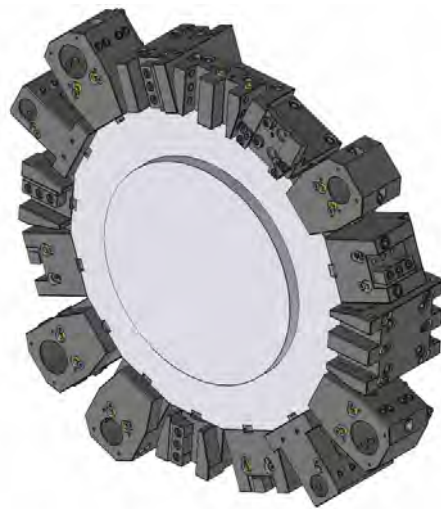
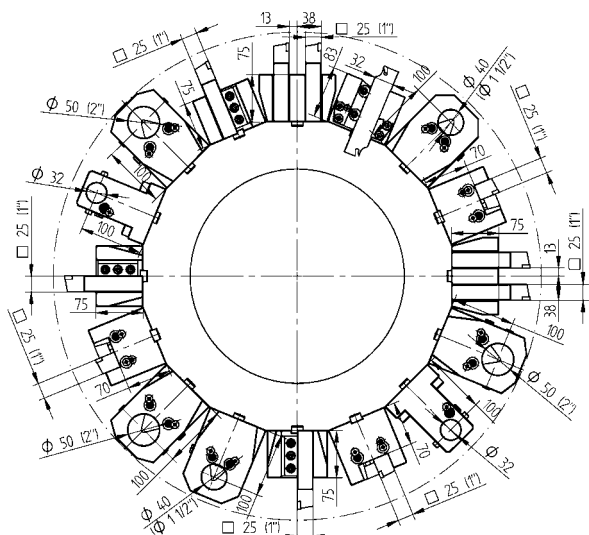
**2-spindle - Face drill/milling unit, Y axis**

ER 25	413502011-60	1:1	EC
	00675000915		
ER 25	413502012-60	1:1	IC 80 bar
	00675000915		



**2-spindle - Face drill/milling unit, both sides, Y axis**

ER 25	413502013-60	1:1	EC
	00675000915		



Static Toolholders - Standard Program

Static Toolholders - Standard Program



**OD cutting holder**

25 48-92428  
1" 48-92466



**OD cutting holder, HP-IC**

25 48-92428-HP IC 80 bar  
1" 48-92466-HP IC 80 bar



**OD cutting holder, both sides**

25 48-92438  
1" 48-92472



**OD cutting holder, both sides, HP-IC**

25 48-92438-HP IC 80 bar  
1" 48-92472-HP IC 80 bar



**Face cutting holder**

25 48-86719  
1" 48-86720



**Face cutting holder, HP-IC**

25 48-109249-HP IC 80 bar  
1" 48-109250-HP IC 80 bar



**Combination toolholder, LF=100**

Ø 40 48-92397 IC 80 bar  
 241140020 ER32  
 241140026 ER40  
 Ø 50 48-92467 IC 80 bar  
 Ø 1 1/2" 48-92468 IC 80 bar  
 2411150020 ER32  
 Ø 2" 48-92469 IC 80 bar



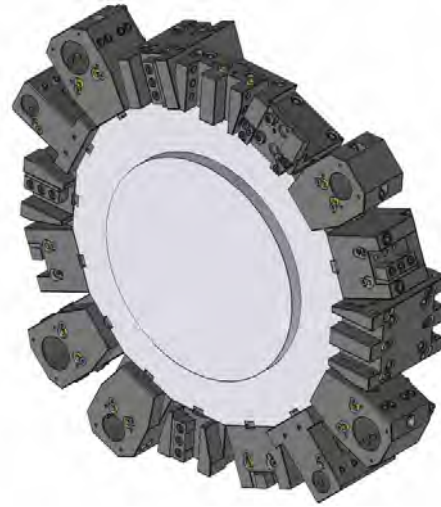
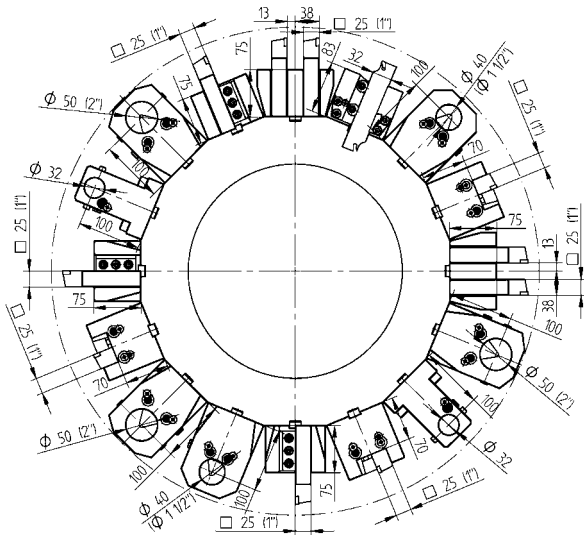
**Boring bar holder, both sides**

Ø 32 48-101033



**Cover plate**

48-87089



Static Toolholders - Enhanced Program



**OD cutting holder, double, Y axis**

25(1") 48-86103



**OD cutting holder, both sides, double, Y axis**

25(1") 48-86150



**Cut-off holder, adjustable**

SH 32 48-99060

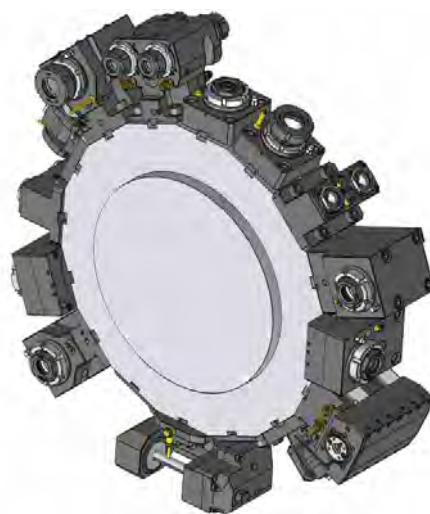
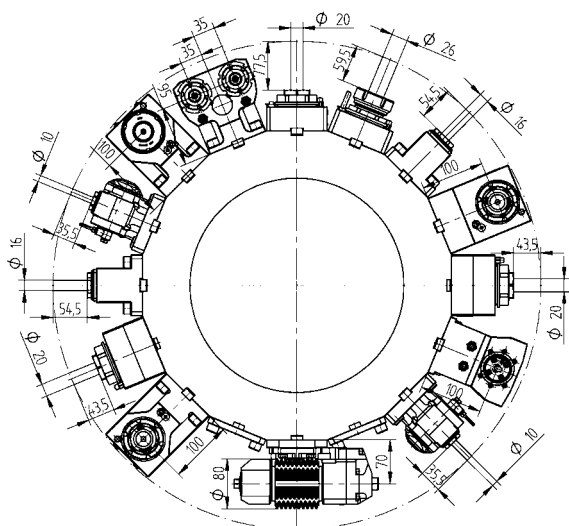


**Cut-off holder, adjustable, HP-IC**

SH 32 48-102256R IC 80 bar

SH 32 48-102256L IC 80 bar





Driven Toolholders - QuickFlex®



**Straight drill/milling unit**

**ER-32 QF** 420132015-65 1:1 EC  
0067732000

**ER-32 QF** 420132016-65 1:1 IC 80 bar  
0067732000



**Right angle drill/milling unit, LF=100**

**ER-32 QF** 420532018-65 1:1 EC  
0067732000

**ER-32 QF** 420532019-65 1:1 IC 80 bar  
0067732000



**Right angle drill/milling unit, both sides, LF=100**

**ER-32 QF** 420532020-65 1:1 EC  
0067732000

Driven Toolholders - Enhanced Program



**Straight drill/milling unit**

**ER 40** 410126001-65 1:1 EC  
00675000079



**Straight milling unit with combination mill arbor DIN 6358**

**Ø 22** 410222002-65 1:1 EC  
00675000483

**Ø 1"** 410225002-65 1:1 EC  
00675000483



**Straight offset drill/milling unit**

**ER-32 QF** 420132037-65 1:1 EC  
0067732000

**ER-32 QF** 420132038-65 1:1 IC 80 bar  
0067732000

**ER-25 QF** 420125010-65 1:2 EC  
0067725001

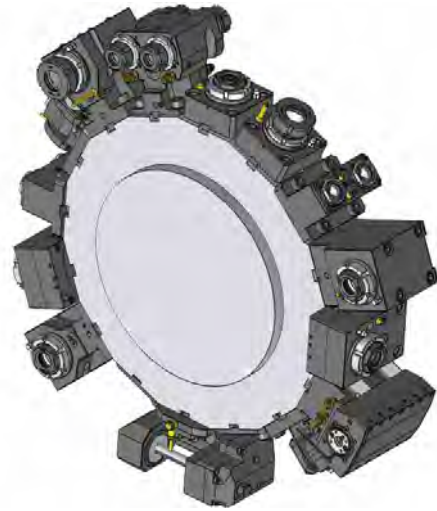
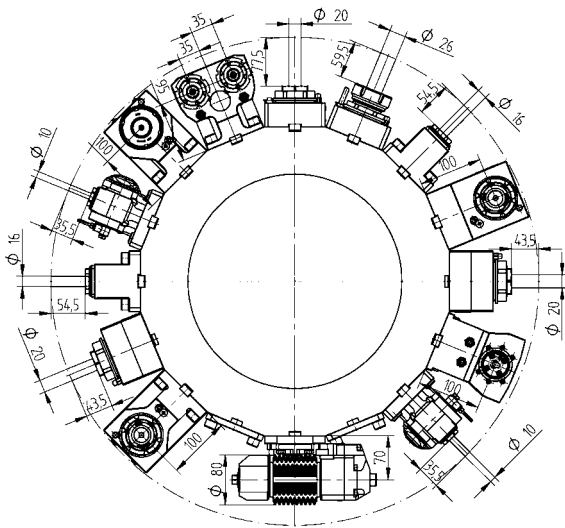
**ER-25 QF** 420125011-65 1:2 IC 80 bar  
0067725001



**Right angle drill/milling unit, LF=100**

**ER 40** 410526007-65 1:1 EC  
00675000079

**ER 40** 410526008-65 1:1 IC 80 bar  
00675000079



Driven Toolholders - Enhanced Program

Driven Toolholders - Enhanced Program



**Right angle drill/milling unit, LF=100**

<b>ER-25 QF</b>	420525012-65	1:2	EC
	0067725001		
<b>ER-25 QF</b>	420525013-65	1:2	IC 80 bar
	0067725001		
<b>ER-32 QF</b>	420532029-65	2:1	EC
	0067732000		
<b>ER-32 QF</b>	420532030-65	2:1	IC 80 bar
	0067732000		



**Right angle milling unit with combination mill arbor DIN 6358, LF=100**

<b>Ø 22</b>	410622002-65	1:1	EC
	00675000483		
<b>1"</b>	410625002-65	1:1	EC
	00675000483		



**Adjustable angle drill/milling unit**

<b>ER 16</b>	411010002-65	1:1	EC
	00675000902		
<b>ER 16</b>	411010003-65	1:1	IC 80 bar
	00675000902		
<b>ER 11</b>	411007002-65	1:2	EC
	00675000914		
<b>ER 11</b>	411007003-65	1:2	IC 80 bar
	00675000914		



**Gear hobbing unit**

<b>Type 16-1</b>	411500003-65	1:1	EC
<b>Type 16-1</b>	411500002-65	2:1	EC
	00675000927		
	160016161 Ø 16		
	160022161 Ø 22		
	160027161 Ø 27		
	160015161 Ø 5/8"		
	160019161 Ø 3/4"		
	160025161 Ø 1"		
	96394		



**Straight drill/milling unit, both sides**

<b>ER 25</b>	413002001-65	1:1	EC
	00675000907		



**2-spindle - Right angle drill/milling unit, Y axis**

<b>ER 25</b>	413502006-65	1:1	EC
	00675000915		
<b>ER 25</b>	413502007-65	1:1	IC 80 bar
	00675000915		



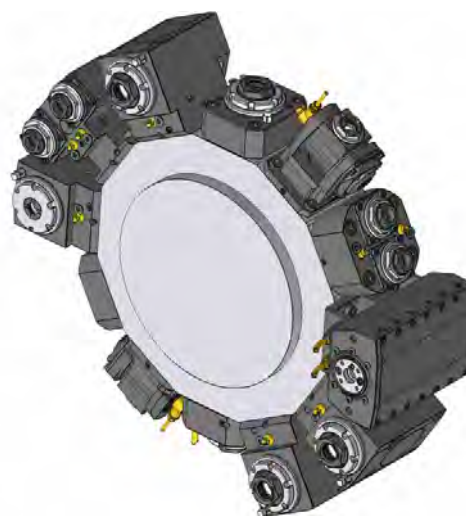
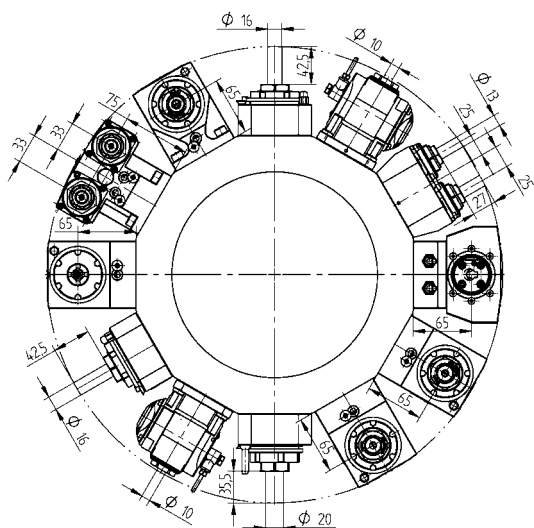
**2-spindle - Right angle drill/milling unit, both sides, Y axis**

<b>ER 25</b>	413502008-65	1:1	EC
	00675000915		



**Broaching unit for ID and OD**

<b>TN765050</b>	414532000-65	1:1	EC
-----------------	--------------	-----	----



Driven Toolholders - QuickFlex®



**Straight drill/milling unit**

**ER-25 QF** 420125010-45 1:1 EC  
 0067725000

**ER-25 QF** 420125011-45 1:1 IC 80 bar  
 0067725000



**Right angle drill/milling unit**

**ER-25 QF** 420525010-45 1:1 EC  
 0067725000

**ER-25 QF** 420525011-45 1:1 IC 80 bar  
 0067725000

Driven Toolholders - Enhanced Program



**Straight drill/milling unit**

**ER 32** 410120002-45 1:1 EC  
 0067525000

**ER 32** 410120003-45 1:1 IC 80 bar  
 0067525000



**Straight offset drill/milling unit**

**ER 25** 410116006-45 1:1 EC  
 00675000932

**ER 25** 410116007-45 1:1 IC 80 bar  
 00675000932

**ER 20** 410113002-45 1:2 EC  
 00675000939

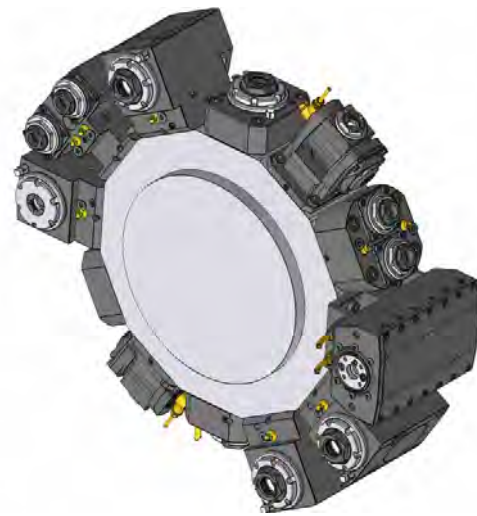
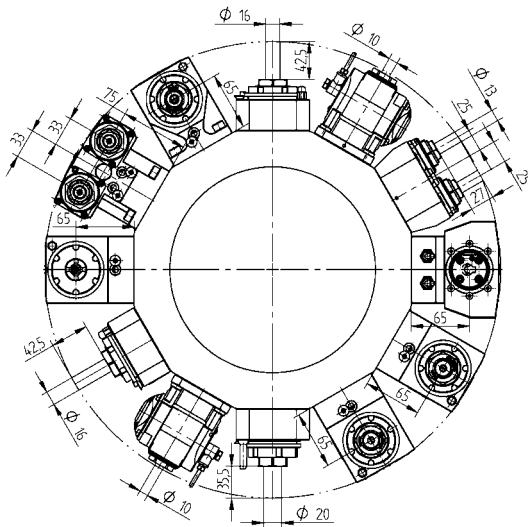
**ER 20** 410113003-45 1:2 IC 80 bar  
 00675000939

**ER 16** 410110000-45 1:3 EC  
 00675000937

**ER 16** 410110001-45 1:3 IC 80 bar  
 00675000937

**ER 25** 410116008-45 1.5:1 EC  
 00675000932

**ER 25** 410116009-45 1.5:1 IC 80 bar  
 00675000932



Driven Toolholders - Enhanced Program



**Right angle drill/milling unit**

<b>ER 32</b>	410520010-45	1:1	EC
	0067725000		
<b>ER 32</b>	410520007-45	1:1	IC 80 bar
	0067725000		
<b>ER-20 QF</b>	420520010-45	1:2	EC
	0067720001		
<b>ER-20 QF</b>	420520011-45	1:2	IC 80 bar
	0067720001		
<b>ER 16</b>	410810002-45	1:3	EC
	00675000841		
<b>ER 16</b>	410810003-45	1:3	IC 80 bar
	00675000841		
<b>ER-25 QF</b>	420525013-45	2:1	EC
	0067725000		
<b>ER-25 QF</b>	420525014-45	2:1	IC 80 bar
	0067725000		
<b>ER 32</b>	410520008-45	2:1	EC
	00675000827		
<b>ER 32</b>	410520009-45	2:1	IC 80 bar
	00675000827		



**Adjustable angle drill/milling unit**

<b>ER 16</b>	411010000-45	1:1	EC
	00675000902		
<b>ER 16</b>	411010001-45	1:1	IC 80 bar
	00675000902		
<b>ER 11</b>	411007000-45	1:2	EC
	00675000914		
<b>ER 11</b>	411007001-45	1:2	IC 80 bar
	00675000914		

Driven Toolholders - Enhanced Program



**Slitting saw unit**

<b>Type 14-2</b>	411500001-45	2.73:1	EC
	00675000489		
	160016142 Ø 16		
	160022142 Ø 22		
	160027142 Ø 27		
	160015142 Ø 5/8"		
	160019142 Ø 3/4"		
	160023142 Ø 7/8"		
	160025142 Ø 1"		



**Straight drill/milling unit, double, Y axis**

<b>ER 20</b>	413002007-45	1:1	EC
	00675001016		



**2-spindle - Face drill/milling unit, Y axis**

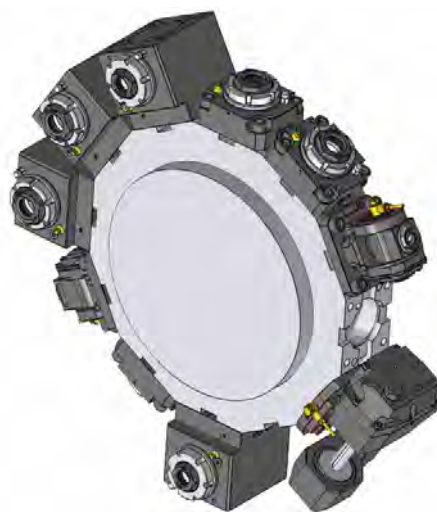
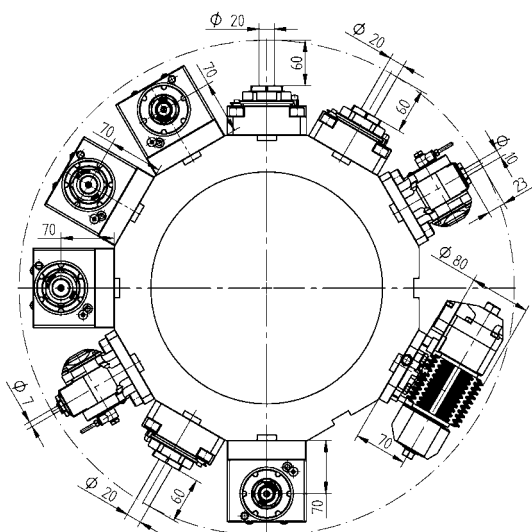
<b>ER 20</b>	413502000-45	1:1	EC
	00675001016		



**Broaching unit for ID and OD**

<b>TN765050</b>	414532001-45	1:1	EC
-----------------	--------------	-----	----





Driven Toolholders - QuickFlex®



**Straight drill/milling unit**

**ER-32 QF** 420132010-63 1:1 EC  
CB-4782B  
0067732000

**ER-32 QF** 420132011-63 1:1 IC 80 bar  
CB-4782A  
0067732000



**Right angle drill/milling unit**

**ER-32 QF** 420532010-63 1:1 EC  
CB-4783B  
0067732000

**ER-32 QF** 420532011-63 1:1 IC 80 bar  
CB-4783A  
0067732000

Driven Toolholders - Enhanced Program



**Straight milling unit with combination mill arbor DIN 6358**

**Ø 27** 410227001-63 1:1 EC  
00675000245



**Right angle drill/milling unit**

**ER-25 QF** 420525010-63 1:2 EC  
0067725001

**ER-25 QF** 420525011-63 1:2 IC 80 bar  
0067725001



**Right angle milling unit with combination mill arbor DIN 6358**

**Ø 22** 410622001-63 2:1 EC  
00675000483

**Ø 27** 410627002-63 2:1 EC  
00675000245

**Ø 1"** 410625000-63 2:1 EC  
00675000483



**Adjustable angle drill/milling unit**

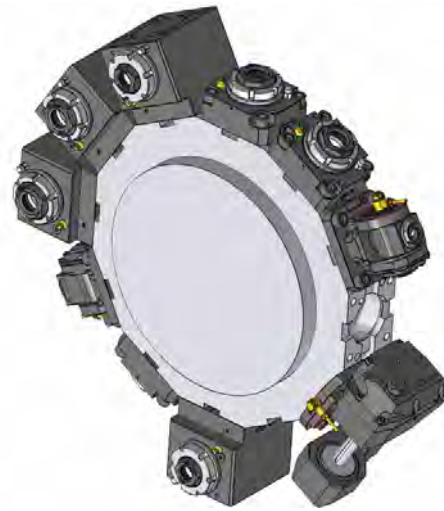
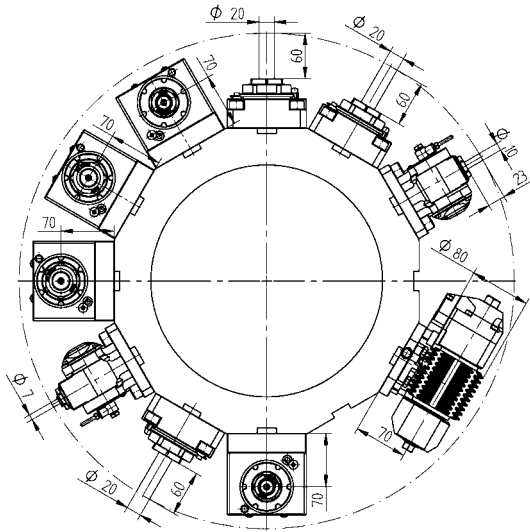
**ER 16** 411010000-63 1:1 EC  
00675000902

**ER 16** 411010001-63 1:1 IC 80 bar  
00675000902

**ER 11** 411007000-63 1:2 EC  
00675000914

**ER 11** 411007001-63 1:2 IC 80 bar  
00675000914





Driven Toolholders - Enhanced Program



**Gear hobbing unit**

- Type 16-1** 411500000-63 1:1 EC
- Type 16-1** 411500001-63 2:1 EC

00675000927

160016161 Ø 16

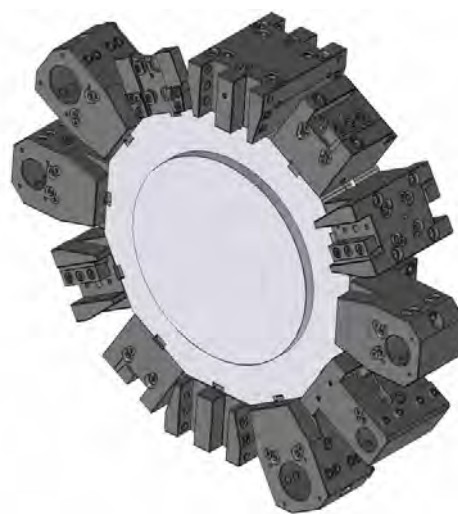
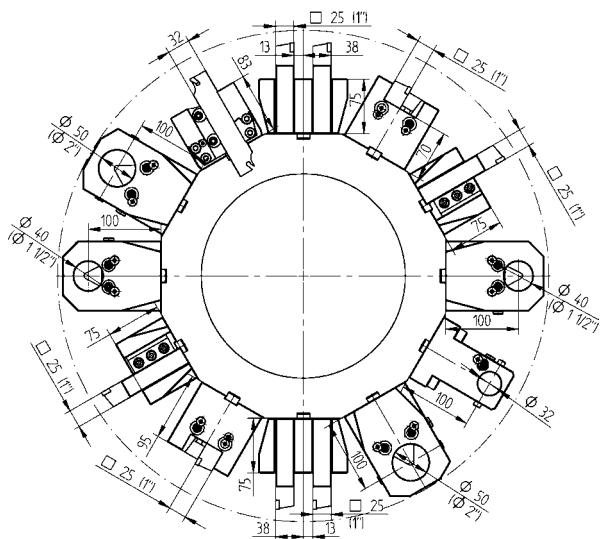
160022161 Ø 22

160027161 Ø 27

160015161 Ø 5/8"


160019161 Ø 3/4"


160025161 Ø 1"





Static Toolholders - Standard Program


Static Toolholders - Standard Program


- 


**OD cutting holder**  
 25 48-92428  
 1" 48-92466
- 

**OD cutting holder, HP-IC**  
 25 48-92428-HP IC 80 bar  
 1" 48-92466-HP IC 80 bar
- 

**OD cutting holder, both sides**  
 25 48-92438  
 1" 48-92472
- 


**OD cutting holder, both sides, HP-IC**  
 25 48-92438-HP IC 80 bar  
 1" 48-92472-HP IC 80 bar
- 


**Face cutting holder**  
 25 48-86719  
 1" 48-86720
- 

**Face cutting holder, HP-IC**  
 25 48-109249-HP IC 80 bar  
 1" 48-109250-HP IC 80 bar
- 

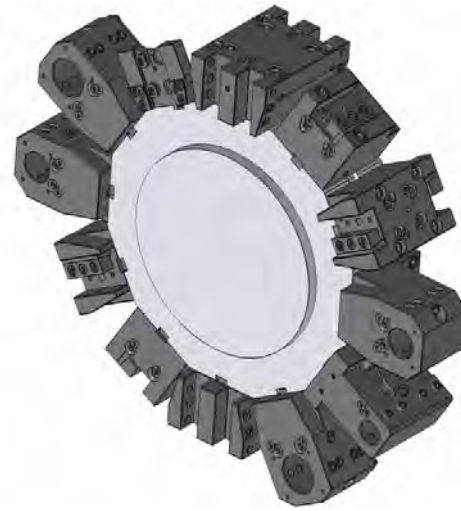
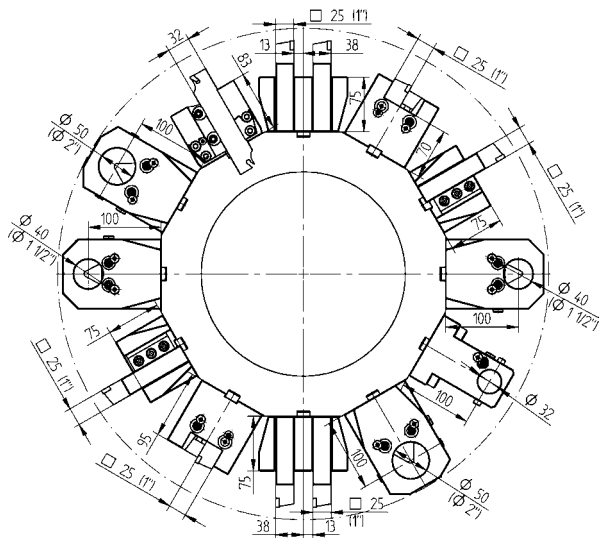
**Combination toolholder, LF=100**

  - Ø 40 48-92397 IC 80 bar  
 241140020 ER32  
 241140026 ER40
  - Ø 50 48-92467 IC 80 bar
  - Ø 1 1/2" 48-92468 IC 80 bar  
 2411150020 ER32
  - Ø 2" 48-92469 IC 80 bar

- 

**Boring bar holder, both sides**  
 Ø 32 48-101033
- 

**Cover plate**  
 48-87089



Static Toolholders - Enhanced Program



**OD cutting holder, double, Y axis**

25(1") 48-86103



**OD cutting holder, both sides, double, Y axis**

25(1") 48-86150



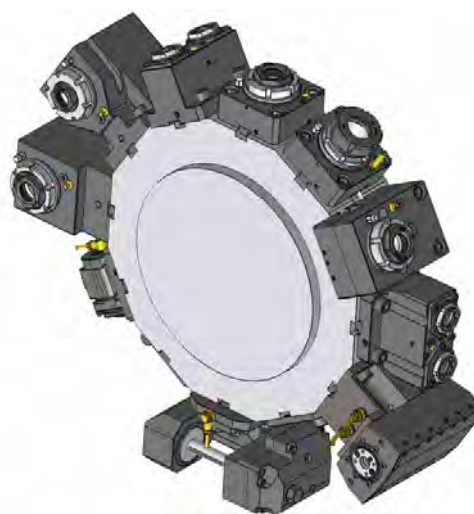
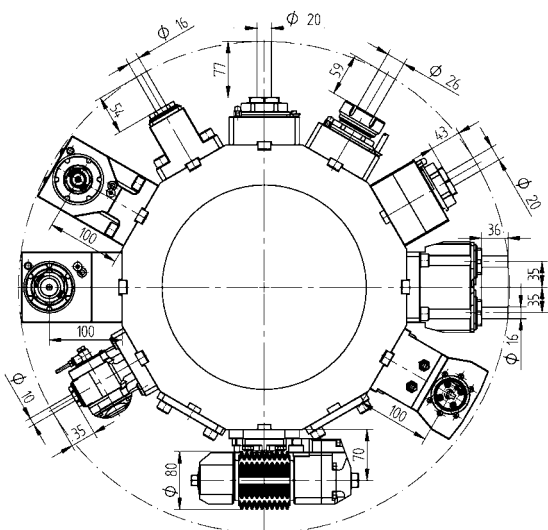
**Cut-off holder, adjustable**

SH 32 48-99060





**Cut-off holder, adjustable, HP-IC**


SH 32	48-102256R	IC 80 bar
SH 32	48-102256L	IC 80 bar





Driven Toolholders - QuickFlex®

- 

**Straight drill/milling unit**  
**ER-32 QF** 420132015-65 1:1 EC  
 0067732000
- 


**ER-32 QF** 420132016-65 1:1 IC 80 bar  
 0067732000
- 


**Right angle drill/milling unit, LF=100**  
**ER-32 QF** 420532018-65 1:1 EC  
 0067732000
- 


**ER-32 QF** 420532019-65 1:1 IC 80 bar  
 0067732000
- 


**Right angle drill/milling unit, both sides, LF=100**  
**ER-32 QF** 420532020-65 1:1 EC  
 0067732000


Driven Toolholders - Enhanced Program


- 


**Straight drill/milling unit**  
**ER 40** 410126001-65 1:1 EC  
 00675000079
- 


**Straight milling unit with combination mill arbor DIN 6358**  
**Ø 22** 410222002-65 1:1 EC  
 00675000483
- 


**Ø 1"** 410225002-65 1:1 EC  
 00675000483
- 

**Straight offset drill/milling unit**  
**ER-32 QF** 420132037-65 1:1 EC  
 0067732000
- 

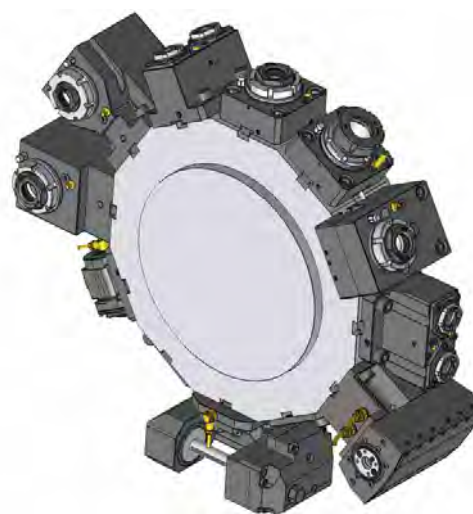
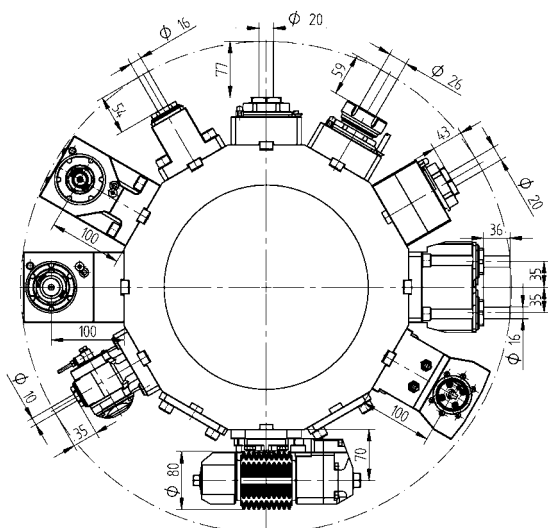
**ER-32 QF** 420132038-65 1:1 IC 80 bar  
 0067732000
- 

**ER-25 QF** 420125010-65 1:2 EC  
 0067725001
- 

**ER-25 QF** 420125011-65 1:2 IC 80 bar  
 0067725001
- 

**Right angle drill/milling unit, LF=100**  
**ER 40** 410526007-65 1:1 EC  
 00675000079
- 

**ER 40** 410526008-65 1:1 IC 80 bar  
 00675000079



Driven Toolholders - Enhanced Program



**Right angle drill/milling unit, LF=100**

<b>ER-25 QF</b>	420525012-65	1:2	EC
	0067725001		
<b>ER-25 QF</b>	420525013-65	1:2	IC 80 bar
	0067725001		
<b>ER-32 QF</b>	420532029-65	2:1	EC
	0067732000		
<b>ER-32 QF</b>	420532030-65	2:1	IC 80 bar
	0067732000		



**Right angle milling unit with combination mill arbor DIN 6358, LF=100**

<b><math>\phi 22</math></b>	410622002-65	1:1	EC
	00675000483		
<b>1"</b>	410625002-65	1:1	EC
	00675000483		



**Adjustable angle drill/milling unit**

<b>ER 16</b>	411010002-65	1:1	EC
	00675000902		
<b>ER 16</b>	411010003-65	1:1	IC 80 bar
	00675000902		
<b>ER 11</b>	411007002-65	1:2	EC
	00675000914		
<b>ER 11</b>	411007003-65	1:2	IC 80 bar
	00675000914		

Driven Toolholders - Enhanced Program



**Gear hobbing unit**

<b>Type 16-1</b>	411500003-65	1:1	EC
<b>Type 16-1</b>	411500002-65	2:1	EC
	00675000927		
	160016161 $\phi 16$		
	160022161 $\phi 22$		
	160027161 $\phi 27$		
	160015161 $\phi 5/8"$		
	160019161 $\phi 3/4"$		
	160025161 $\phi 1"$		
	96394		



**Straight drill/milling unit, both sides**

<b>ER 25</b>	413002001-65	1:1	EC
	00675000907		



**Straight drill/milling unit, double, Y axis**

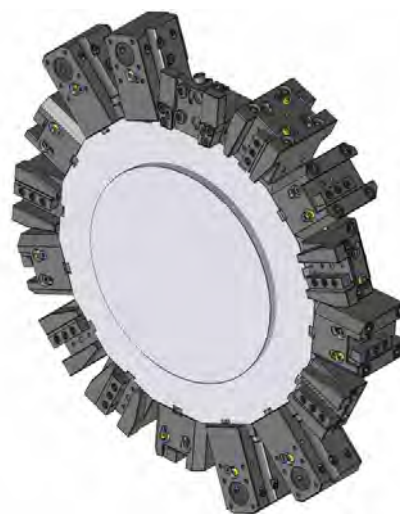
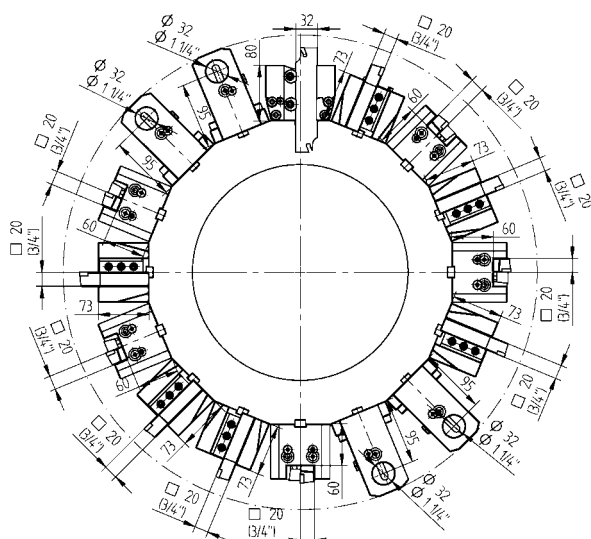
<b>ER 25</b>	413002004-65	1:1	EC
	00675000907		



**Broaching unit for ID and OD**

<b>TN765050</b>	414532000-65	1:1	EC
-----------------	--------------	-----	----





Static Toolholders - Standard Program

Static Toolholders - Enhanced Program



**OD cutting holder**

20 48-92036  
3/4" 48-92037



**OD cutting holder, HP-IC**

20 48-92036-HP IC 80 bar  
3/4" 48-92037-HP IC 80 bar



**OD cutting holder, both sides**

20 48-92038  
3/4" 48-92039



**OD cutting holder, both sides, HP-IC**

20 48-92038-HP IC 80 bar  
3/4" 48-92039-HP IC 80 bar



**Face cutting holder**

20 48-92045  
3/4" 48-92046



**Face cutting holder, HP-IC**

20 48-92045-HP IC 80 bar  
3/4" 48-92046-HP IC 80 bar



**Combination toolholder, universal, LF=95**

Ø 32 48-109277 IC 80 bar  
 241132020 ER32  
 241132016 ER25  
 Ø 1 1/4" 48-109278 IC 80 bar  
 2411125020 ER32



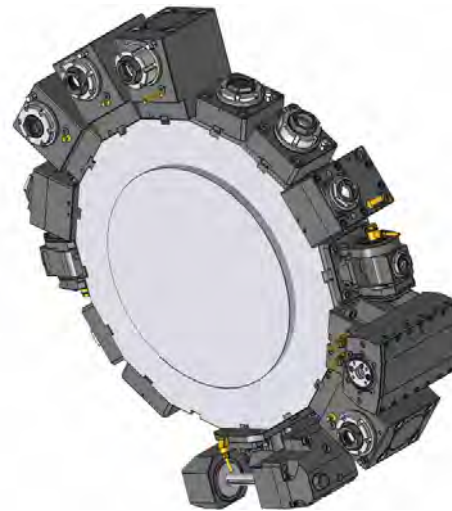
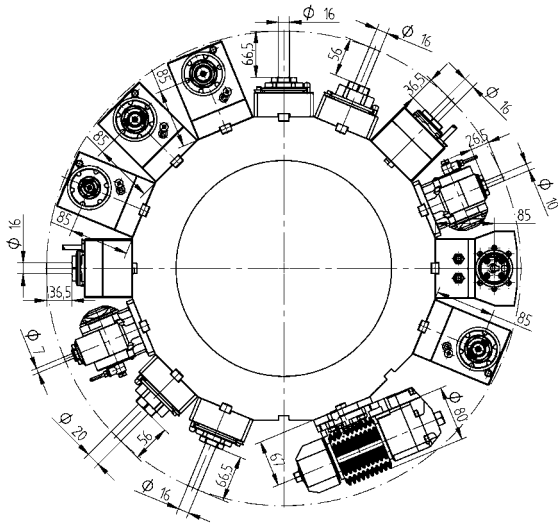
**Cut-off holder, adjustable**

SH 32 48-103287



**Cut-off holder, adjustable, HP-IC**

SH 32 48-110160R IC 80 bar  
SH 32 48-110160L IC 80 bar



Driven Toolholders - QuickFlex®



**Straight drill/milling unit**

**ER-25 QF** 420125015-55 1:1 EC  
 0067725000

**ER-25 QF** 420125016-55 1:1 IC 80 bar  
 0067725000



**Right angle drill/milling unit, LF=85**

**ER-25 QF** 420525018-55 1:1 EC  
 0067725000

**ER-25 QF** 420525019-55 1:1 IC 80 bar  
 0067725000



**Right angle drill/milling unit, both sides, LF=85**

**ER-25 QF** 420525020-55 1:1 EC  
 0067725000

Driven Toolholders - Enhanced Program



**Straight drill/milling unit**

**ER 32** 410120010-55 1:1 EC  
 0067725000

**ER 32** 410120011-55 1:1 IC 80 bar  
 0067725000



**Straight milling unit with combination mill arbor DIN 6358**

**Ø 22** 410222004-55 1:1 EC  
 00675000483

**Ø 3/4"** 410219002-55 1:1 EC  
 00675000483



**Straight offset drill/milling unit**

**ER 25** 410116029-55 1:1 EC  
 00675000932

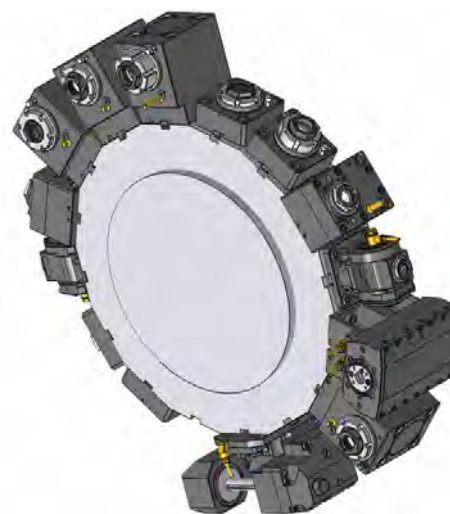
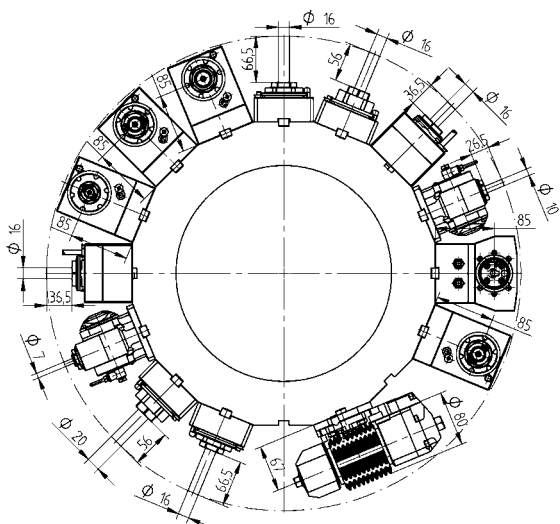
**ER 25** 410116030-55 1:1 IC 80 bar  
 00675000932

**ER 20** 410113009-55 1:2 EC  
 00675000939

**ER 20** 410113010-55 1:2 IC 80 bar  
 00675000939

**ER 16** 410410004-55 1:3 EC  
 00675000937

**ER 16** 410410005-55 1:3 IC 80 bar  
 00675000937



Driven Toolholders - Enhanced Program



**Right angle drill/milling unit, LF=85**

<b>ER 32</b>	410520030-55	1:1	EC
	0067725000		
<b>ER 32</b>	410520031-55	1:1	IC 80 bar
	0067725000		
<b>ER-20 QF</b>	420520014-55	1:2	EC
	0067720001		
<b>ER-20 QF</b>	420520015-55	1:2	IC 80 bar
	0067720001		
<b>ER 16</b>	410810020-55	1:3	EC
	00675000841		
<b>ER 16</b>	410810021-55	1:3	IC 80 bar
	00675000841		
<b>ER-25 QF</b>	420525032-55	2:1	EC
	0067725000		
<b>ER-25 QF</b>	420525033-55	2:1	IC 80 bar
	0067725000		



**Right angle milling unit with combination mill arbor DIN 6358, LF=85**

<b>Ø 22</b>	410622011-55	1:1	EC
	00675000483		
<b>Ø 3/4"</b>	410619006-55	1:1	EC
	00675000483		



**Adjustable angle drill/milling unit**

<b>ER 16</b>	411010005-55	1:1	EC
	00675000902		
<b>ER 16</b>	411010006-55	1:1	IC 80 bar
	00675000902		
<b>ER 11</b>	411007007-55	1:2	EC
	00675000914		
<b>ER 11</b>	411007008-55	1:2	IC 80 bar
	00675000914		

Driven Toolholders - Enhanced Program



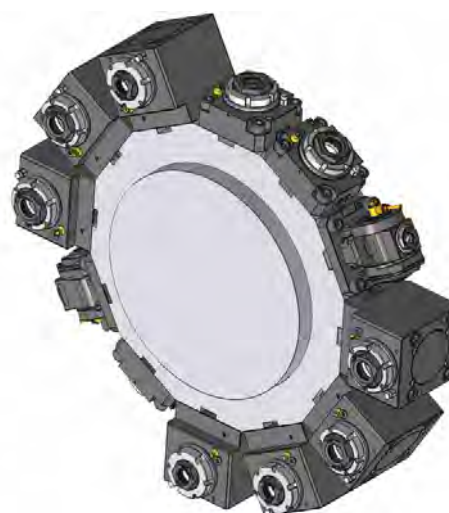
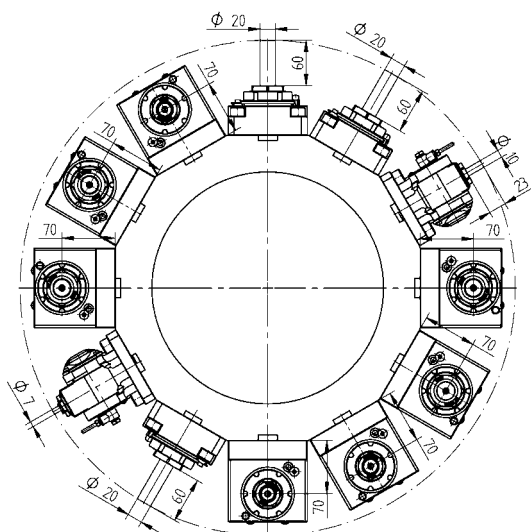
**Gear hobbing unit**

<b>Type 16-1</b>	411500002-55	1:1	EC
<b>Type 16-1</b>	411500001-55	2:1	EC
	00675000927		
	160016161 Ø 16		
	160022161 Ø 22		
	160027161 Ø 27		
	160015161 Ø 5/8"		
	160019161 Ø 3/4"		
	160025161 Ø 1"		
	96394		



**Broaching unit for ID and OD**

<b>TN765050</b>	414532000-55	1:1	EC
-----------------	--------------	-----	----



Driven Toolholders - QuickFlex®



**Straight drill/milling unit**

**ER-32 QF** 420132010-63 1:1 EC  
CB-4782B  
0067732000

**ER-32 QF** 420132011-63 1:1 IC 80 bar  
CB-4782A  
0067732000



**Right angle drill/milling unit**

**ER-32 QF** 420532010-63 1:1 EC  
CB-4783B  
0067732000

**ER-32 QF** 420532011-63 1:1 IC 80 bar  
CB-4783A  
0067732000

Driven Toolholders - Enhanced Program



**Straight milling unit with combination mill arbor DIN 6358**

**Ø 27** 410227001-63 1:1 EC  
00675000245



**Right angle drill/milling unit**

**ER-25 QF** 420525010-63 1:2 EC  
0067725001

**ER-25 QF** 420525011-63 1:2 IC 80 bar  
0067725001



**Right angle milling unit with combination mill arbor DIN 6358**

**Ø 22** 410622001-63 2:1 EC  
00675000483

**Ø 27** 410627002-63 2:1 EC  
00675000245

**Ø 1"** 410625000-63 2:1 EC  
00675000483



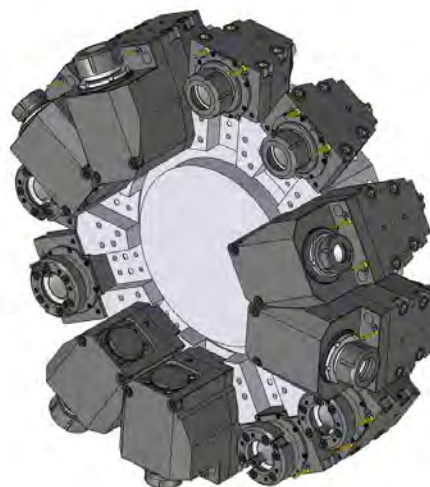
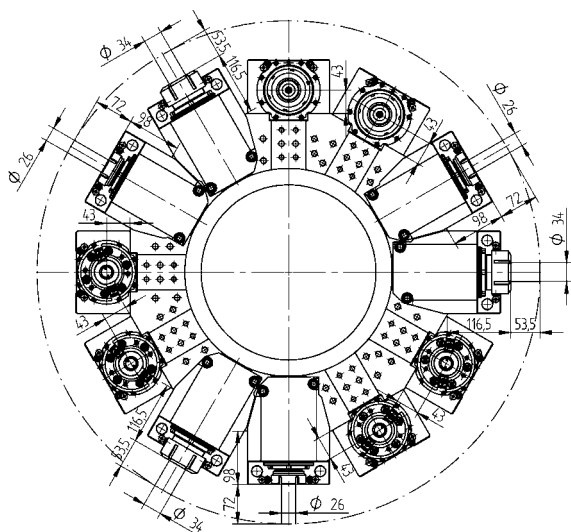
**Adjustable angle drill/milling unit**

**ER 16** 411010000-63 1:1 EC  
00675000902

**ER 16** 411010001-63 1:1 IC 80 bar  
00675000902

**ER 11** 411007000-63 1:2 EC  
00675000914

**ER 11** 411007001-63 1:2 IC 80 bar  
00675000914



Driven Toolholders - Performance Series



**Straight drill/milling unit**

**ER 50** 410134000-00 1:1 EC  
T32137, T32247  
00675000652

**ER 50** 410134002-00 1:1 IC 80 bar  
00675000652



**Right angle drill/milling unit**

**ER 40** 410526004-00 1:1 EC  
00675000781

**ER 40** 410526005-00 1:1 IC 80 bar  
00675000781



**Right angle drill/milling unit**

**ER 50** 410534002-00 1:1 EC  
00675000701

**ER 50** 410534003-00 1:1 IC 80 bar  
00675000701

Driven Toolholders - Enhanced Program



**Straight drill/milling unit for system BT 40**

**BT MAS403** 410140000-00 1:1 EC

**BT MAS403** 410140001-00 1:1 IC 80 bar



**Straight drill/milling unit for system ISO/CAT 40**

**ISO 40** 410140004-00 1:1 EC  
00675000875

**ISO 40** 410140005-00 1:1 IC 80 bar  
00675000875



Standard reduction sleeves - cylindrical



**Reduction sleeve Ø 25**

240025006	ø 6
240025008	ø 8
240025010	ø 10
240025012	ø 12
240025016	ø 16
240025020	ø 20



**Reduction sleeve Ø 32**

240032006	ø 6
240032008	ø 8
240032010	ø 10
240032012	ø 12
240032016	ø 16
240032020	ø 20
240032025	ø 25



**Reduction sleeve Ø 40**

240040006	ø 6
240040008	ø 8
240040010	ø 10
240040012	ø 12
240040014	ø 14
240040016	ø 16
240040020	ø 20
240040025	ø 25
240040032	ø 32



**Reduction sleeve Ø 50**

240050010	ø 10
240050012	ø 12
240050016	ø 16
240050020	ø 20
240050025	ø 25
240050032	ø 32
240050040	ø 40



**Reduction sleeve Ø 1"**

2400100025	ø 1/4"
2400100031	ø 5/16"
2400100038	ø 3/8"
2400100050	ø 1/2"
2400100063	ø 5/8"
2400100075	ø 3/4"



**Reduction sleeve Ø 1 1/4"**

2400125038	ø 3/8"
2400125050	ø 1/2"
2400125063	ø 5/8"
2400125075	ø 3/4"
2400125088	ø 7/8"
2400125100	ø 1"

Standard reduction sleeves - cylindrical



**Reduction sleeve Ø 1 1/2"**


2400150038	ø 3/8"
2400150050	ø 1/2"
2400150063	ø 5/8"
2400150075	ø 3/4"
2400150088	ø 7/8"
2400150100	ø 1"
2400150125	ø 1 1/4"




**Reduction sleeve Ø 2"**

2400200050	ø 1/2"
2400200063	ø 5/8"
2400200088	ø 7/8"
2400200100	ø 1"
2400200125	ø 1 1/4"
2400200150	ø 1 1/2"
2400200175	ø 1 3/4"


Standard reduction sleeves - morse taper



**Reduction sleeve Ø 32**  
 240532001 MT 1  
 240532002 MT 2  
 240532003 MT 3




**Reduction sleeve Ø 40**  
 240540001 MT 1  
 240540002 MT 2  
 240540003 MT 3  
 240540004 MT 4




**Reduction sleeve Ø 50**  
 240550002 MT 2  
 240550003 MT 3  
 240550004 MT 4

Reduction sleeves for boring bar holders - cylindrical




**Reduction sleeve Ø 25**  
 24-T20180 ø 8  
 24-T20182 ø 10  
 24-T20184 ø 12  
 24-T20186 ø 16  
 24-T20188 ø 20




**Reduction sleeve Ø 32**  
 24-T20112 ø 8  
 24-T20114 ø 10  
 24-T20116 ø 12  
 24-T20118 ø 16  
 24-T20120 ø 20  
 24-T20122 ø 25




**Reduction sleeve Ø 40**  
 24-T20086 ø 8  
 24-T20088 ø 10  
 24-T20090 ø 12  
 24-T20092 ø 16  
 24-T20094 ø 20  
 24-T20096 ø 25  
 24-T20098 ø 32



**Reduction sleeve Ø 50**  
 24-T20160 ø 10  
 24-T20162 ø 12  
 24-T20164 ø 16  
 24-T20166 ø 20  
 24-T20168 ø 25  
 24-T20170 ø 32  
 24-T20172 ø 40



**Reduction sleeve Ø 1"**  
 24-T20181 ø 3/8"  
 24-T20183 ø 1/2"  
 24-T20185 ø 5/8"  
 24-T20187 ø 3/4"



**Reduction sleeve Ø 1 1/2"**  
 24-T20089 ø 3/8"  
 24-T20091 ø 1/2"  
 24-T20093 ø 5/8"  
 24-T20095 ø 3/4"  
 24-T20097 ø 1"  
 24-T20099 ø 1 1/4"

Reduction sleeves for boring bar holders - cylindrical



**Reduction sleeve Ø 2"**

24-T20163	ø 1/2"
24-T20165	ø 5/8"
24-T20167	ø 3/4"
24-T20169	ø 1"
24-T20171	ø 1 1/4"
24-T20173	ø 1 1/2"

Reduction sleeves for boring bar holders - cylindrical, extended



**Reduction sleeve Ø 32**

24-T20124	ø 8
24-T20126	ø 10
24-T20128	ø 12
24-T20130	ø 16



**Reduction sleeve Ø 40**

24-T20106	ø 8
24-T20108	ø 10
24-T20110	ø 12
24-T20194	ø 16
24-T20196	ø 20
24-T20216	ø 25



**Reduction sleeve Ø 1 1/2"**

24-T20109	ø 3/8"
24-T20111	ø 1/2"
24-T20195	ø 5/8"
24-T20197	ø 3/4"

Reduction sleeves for boring bar holders -  
morse taper



**Reduction sleeve Ø 40**

24-T22046	MT 2
24-T22042	MT 3

Collets DIN 6499B (ER/ESX)



ER 11	mm	inch
190011000	∅ 7-0.5	∅ 0.276-0.020
190011010	∅ 1-0.5	∅ 0.039-0.020
190011015	∅ 1.5-1	∅ 0.059-0.039
190011020	∅ 2-1.5	∅ 0.079-0.059
190011025	∅ 2.5-2	∅ 0.098-0.079
190011030	∅ 3-2.5	∅ 0.118-0.098
190011035	∅ 3.5-3	∅ 0.138-0.118
190011040	∅ 4-3.5	∅ 0.158-0.138
190011045	∅ 4.5-4	∅ 0.177-0.158
190011050	∅ 5-4.5	∅ 0.197-0.177
190011055	∅ 5.5-5	∅ 0.217-0.197
190011060	∅ 6-5.5	∅ 0.236-0.217
190011065	∅ 6.5-6	∅ 0.256-0.236
190011070	∅ 7-6.5	∅ 0.276-0.256



ER 16	mm	inch
190016000	∅ 10-0.5	∅ 0.394-0.020
190016010	∅ 1-0.5	∅ 0.039-0.020
190016020	∅ 2-1	∅ 0.079-0.039
190016030	∅ 3-2	∅ 0.118-0.079
190016040	∅ 4-3	∅ 0.158-0.118
190016050	∅ 5-4	∅ 0.197-0.158
190016060	∅ 6-5	∅ 0.236-0.197
190016070	∅ 7-6	∅ 0.276-0.236
190016080	∅ 8-7	∅ 0.315-0.276
190016090	∅ 9-8	∅ 0.354-0.315
190016100	∅ 10-9	∅ 0.394-0.354



ER 20	mm	inch
190020000	∅ 13-1	∅ 0.512-0.039
190020010	∅ 1-0.5	∅ 0.039-0.020
190020020	∅ 2-1	∅ 0.079-0.039
190020030	∅ 3-2	∅ 0.118-0.079
190020040	∅ 4-3	∅ 0.157-0.118
190020050	∅ 5-4	∅ 0.197-0.157
190020060	∅ 6-5	∅ 0.236-0.197
190020070	∅ 7-6	∅ 0.276-0.236
190020080	∅ 8-7	∅ 0.315-0.276
190020090	∅ 9-8	∅ 0.354-0.315
190020100	∅ 10-9	∅ 0.394-0.354
190020110	∅ 11-10	∅ 0.433-0.394
190020120	∅ 12-11	∅ 0.472-0.433
190020130	∅ 13-12	∅ 0.512-0.472

Collets DIN 6499B (ER/ESX)



ER 25	mm	inch
190025000	∅ 16-1	∅ 0.630-0.039
190025020	∅ 2-1	∅ 0.079-0.039
190025030	∅ 3-2	∅ 0.118-0.079
190025040	∅ 4-3	∅ 0.157-0.118
190025050	∅ 5-4	∅ 0.197-0.157
190025060	∅ 6-5	∅ 0.236-0.197
190025070	∅ 7-6	∅ 0.276-0.236
190025080	∅ 8-7	∅ 0.315-0.276
190025090	∅ 9-8	∅ 0.354-0.315
190025100	∅ 10-9	∅ 0.394-0.354
190025110	∅ 11-10	∅ 0.433-0.394
190025120	∅ 12-11	∅ 0.472-0.433
190025130	∅ 13-12	∅ 0.512-0.472
190025140	∅ 14-13	∅ 0.551-0.512
190025150	∅ 15-14	∅ 0.591-0.551
190025160	∅ 16-15	∅ 0.630-0.591



ER 32	mm	inch
190032000	∅ 20-2	∅ 0.787-0.079
190032030	∅ 3-2	∅ 0.118-0.079
190032040	∅ 4-3	∅ 0.157-0.118
190032050	∅ 5-4	∅ 0.197-0.157
190032060	∅ 6-5	∅ 0.236-0.197
190032070	∅ 7-6	∅ 0.276-0.236
190032080	∅ 8-7	∅ 0.315-0.276
190032090	∅ 9-8	∅ 0.354-0.315
190032100	∅ 10-9	∅ 0.394-0.354
190032110	∅ 11-10	∅ 0.433-0.394
190032120	∅ 12-11	∅ 0.472-0.433
190032130	∅ 13-12	∅ 0.512-0.472
190032140	∅ 14-13	∅ 0.551-0.512
190032150	∅ 15-14	∅ 0.591-0.551
190032160	∅ 16-15	∅ 0.630-0.591
190032170	∅ 17-16	∅ 0.669-0.630
190032180	∅ 18-17	∅ 0.709-0.669
190032190	∅ 19-18	∅ 0.748-0.709
190032200	∅ 20-19	∅ 0.787-0.748



Collets DIN 6499B (ER/ESX)



ER 40	mm	inch
190040000	ø 26-3	ø 1.024-0.118
190040040	ø 4-3	ø 0.157-0.118
190040050	ø 5-4	ø 0.197-0.157
190040060	ø 6-5	ø 0.236-0.197
190040070	ø 7-6	ø 0.276-0.236
190040080	ø 8-7	ø 0.315-0.276
190040090	ø 9-8	ø 0.354-0.315
190040100	ø 10-9	ø 0.394-0.354
190040110	ø 11-10	ø 0.433-0.394
190040120	ø 12-11	ø 0.472-0.433
190040130	ø 13-12	ø 0.512-0.472
190040140	ø 14-13	ø 0.551-0.512
190040150	ø 15-14	ø 0.591-0.551
190040160	ø 16-15	ø 0.630-0.591
190040170	ø 17-16	ø 0.669-0.630
190040180	ø 18-17	ø 0.709-0.669
190040190	ø 19-18	ø 0.748-0.709
190040200	ø 20-19	ø 0.787-0.748
190040210	ø 21-20	ø 0.827-0.787
190040220	ø 22-21	ø 0.866-0.827
190040230	ø 23-22	ø 0.906-0.866
190040240	ø 24-23	ø 0.945-0.906
190040250	ø 25-24	ø 0.984-0.945
190040260	ø 26-25	ø 1.024-0.984



ER 50	mm	inch
190050000	ø 34-10	ø 1.339-0.394
190050060	ø 6-4	ø 0.236-0.157
190050080	ø 8-6	ø 0.315-0.236
190050100	ø 10-8	ø 0.394-0.315
190050120	ø 12-10	ø 0.472-0.394
190050140	ø 14-12	ø 0.551-0.472
190050160	ø 16-14	ø 0.630-0.551
190050180	ø 18-16	ø 0.709-0.630
190050200	ø 20-18	ø 0.787-0.709
190050220	ø 22-20	ø 0.866-0.787
190050240	ø 24-22	ø 0.945-0.866
190050260	ø 26-24	ø 1.024-0.945
190050280	ø 28-26	ø 1.102-1.024
190050300	ø 30-28	ø 1.181-1.102
190050320	ø 32-30	ø 1.260-1.181
190050340	ø 34-32	ø 1.339-1.260

Collets DIN 6499D (ER/ESX) - sealed, for IC



ER 11	mm	inch
191011030	ø 3	
191011040	ø 4	
191011050	ø 5	
191011060	ø 6	
191111013-in		ø 0.125
191111019-in		ø 0.188
191111025-in		ø 0.25



ER 16	mm	inch
191016000	ø 3-10	
191016030	ø 3	
191016040	ø 4	
191016050	ø 5	
191016060	ø 6	
191016070	ø 7	
191016080	ø 8	
191016090	ø 9	
191016100	ø 10	
191116001		ø 0.125-0.375
191116013-in		ø 0.125
191116019-in		ø 0.188
191116025-in		ø 0.25
191116031-in		ø 0.313
191116038-in		ø 0.375



ER 20	mm	inch
191020000	ø 3-12	
191020030	ø 3	
191020040	ø 4	
191020050	ø 5	
191020060	ø 6	
191020070	ø 7	
191020080	ø 8	
191020090	ø 9	
191020100	ø 10	
191020110	ø 11	
191020120	ø 12	
191120001		ø 0.125-0.5
191120013-in		ø 0.125
191120019-in		ø 0.188
191120025-in		ø 0.25
191120031-in		ø 0.313
191120038-in		ø 0.375
191120044-in		ø 0.438
191120050-in		ø 0.5

Collets DIN 6499D (ER/ESX) - sealed, for IC

Collets DIN 6499D (ER/ESX) - sealed, for IC



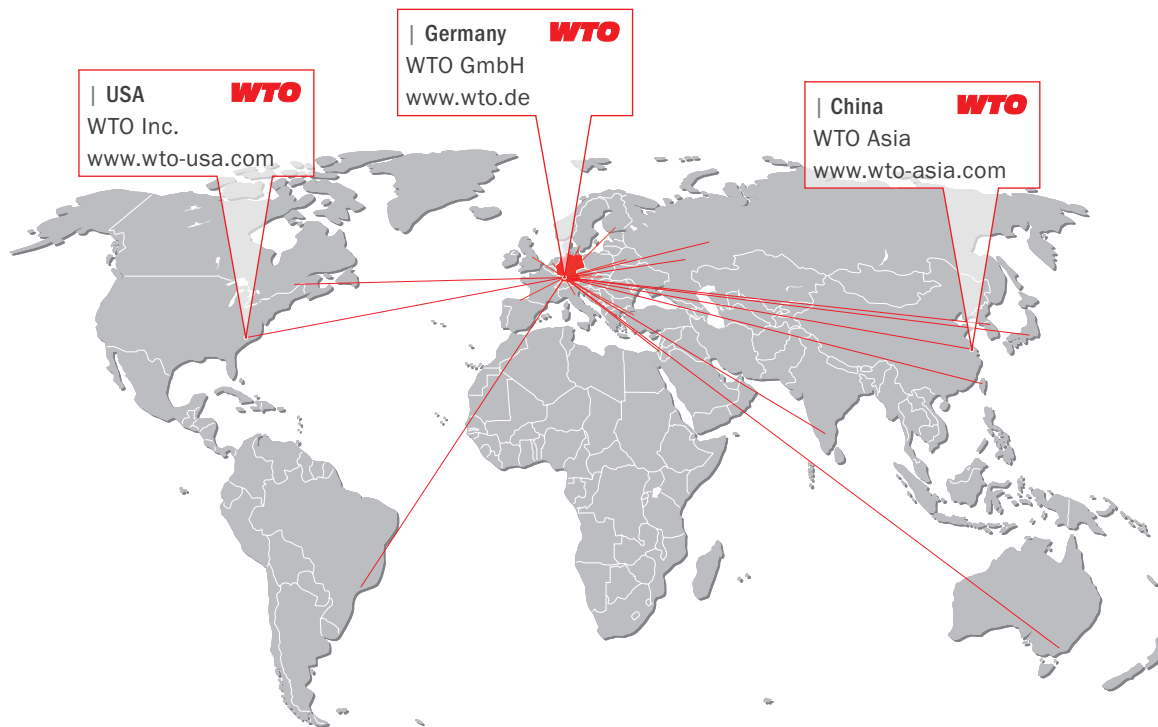
ER 25	mm	inch
191025000	ø 4-16	
191025030	ø 3	
191025040	ø 4	
191025050	ø 5	
191025060	ø 6	
191025070	ø 7	
191025080	ø 8	
191025090	ø 9	
191025100	ø 10	
191025110	ø 11	
191025120	ø 12	
191025130	ø 13	
191025140	ø 14	
191025150	ø 15	
191025160	ø 16	
191125001		ø 0.25-0.625
191125025-in		ø 0.25
191125031-in		ø 0.313
191125038-in		ø 0.375
191125044-in		ø 0.438
191125050-in		ø 0.5
191125056-in		ø 0.563
191125063-in		ø 0.625



ER 40	mm	inch
191040060	ø 6	
191040080	ø 8	
191040100	ø 10	
191040120	ø 12	
191040140	ø 14	
191040160	ø 16	
191040180	ø 18	
191040200	ø 20	
191040220	ø 22	
191040250	ø 25	
191140025-in		ø 0.25
191140031-in		ø 0.313
191140038-in		ø 0.375
191140044-in		ø 0.438
191140050-in		ø 0.5
191140056-in		ø 0.563
191140063-in		ø 0.625
191140069-in		ø 0.688
191140075-in		ø 0.75
191140088-in		ø 0.875
191140100-in		ø 1



ER 32	mm	inch
191032000	ø 4-20	
191032030	ø 3	
191032040	ø 4	
191032050	ø 5	
191032060	ø 6	
191032070	ø 7	
191032080	ø 8	
191032090	ø 9	
191032100	ø 10	
191032110	ø 11	
191032120	ø 12	
191032130	ø 13	
191032140	ø 14	
191032150	ø 15	
191032160	ø 16	
191032170	ø 17	
191032180	ø 18	
191032190	ø 19	
191032200	ø 20	
191132001		ø 0.25-0.75
191132025-in		ø 0.25
191132031-in		ø 0.313
191132038-in		ø 0.375
191132044-in		ø 0.438
191132050-in		ø 0.5
191132056-in		ø 0.563
191132063-in		ø 0.625
191132069-in		ø 0.688
191132075-in		ø 0.75



**WTO GmbH**  
Auf der oberen Au 45  
77797 Ohlsbach  
Germany

**WTO USA**  
13900-F  
South Lakes Drive  
Charlotte, NC 28273  
USA

**WTO Asia**  
Room 109-110, Building 2  
No. 228 Banting Road  
Jiuting Town,  
Songjiang District  
201615 Shanghai  
China

## Our distribution partners. Competence right there.

| **Australia**  
Dimac Tooling Ltd.  
sales@dimac.com.au

| **Finland**  
Suomen Terästuonti Oy  
myynti@stt.as

| **Korea**  
WTO Office Korea  
is.chon@wto-korea.com

| **Slovakia**  
ALBA precision s.r.o.  
albaprecision@albaprecision.sk

| **Belarus**  
LLC "PMI Engineering"  
tool@pmi.by

| **France**  
Philippe Tagliafero  
pta@wto.de

| **Mexico**  
Workholding Engineering De México  
info@wem.com.mx

| **Spain**  
ITALMATIC, S.A.  
italmatic@italmatic.es

| **Brazil**  
TF2  
tfdois@tfdois.com.br

| **Great Britain**  
Cutwel Ltd.  
sales@cutwel.net

| **Netherlands**  
Toologic BeNeLux B.V.  
info@toologic-benelux.nl

| **Sweden**  
Komet Scandinavia AB  
scandinavia@kometgroup.com

| **Canada**  
Mittmann Industrial Inc.  
info@mittmann.com

| **India**  
Ulhas Patil  
u.patil@wto-asia.com

| **Norway**  
Helge Karlsen Verktøy og Maskin AS  
hkvm@hkvm.no

| **Switzerland**  
Utilis AG  
info@utilis.com

| **China**  
Shanghai Gangde  
wtocando@yahoo.com

| **Israel**  
E.Y.A.R. Ltd.  
boris@eyar.co.il

| **Poland**  
ARCO Andrzej Rudenko  
info@arcotools.pl

| **Taiwan**  
Kaiko Co., Ltd.  
info@kaiko.com.tw

| **Czech Republic**  
ALBA precision, spol. s.r.o.  
info@albaprecision.cz

| **Italy**  
Prymark srl  
commerciale@prymark.it

| **Romania**  
SC Elif Trading SRL  
bulent.ozkan@eliftrading.com

| **Turkey**  
MYK CNC MAKINA SAN. VE  
huseyin.tatlidil@mykcnc.com.tr

| **Denmark**  
Tool-part  
cj@tool-part.dk

| **Japan**  
NK Works Co. Ltd.  
k\_samba@nk-works.co.jp

| **Russia**  
WTO Office Russia  
office@wto-russia.com

| **Ukraine**  
„LLC“ SPA Stankopromimport  
info@phoenix-ua.com