

# QuickFlex®

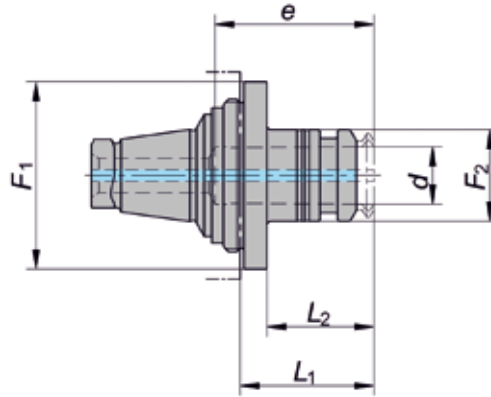
The quick change system for high performance and precision.

REGO-FIX powRgrip® collet chuck adapter.



Adapters  
for  
**REGO-FIX** ▲  
powRgrip®

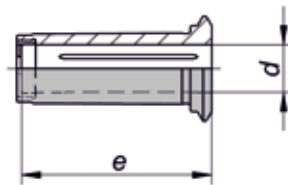
## powRgrip® collet chuck adapter for PGST collets



Size	Item No.	F <sub>1</sub>	d min.	d max.	F <sub>2</sub>	L <sub>1</sub>	L <sub>2</sub>	Collet size
ER-25QF	325225P15	49	3	10	24	35	28	PGST 15
ER-32QF	325232P25	58	3	20	40	47	40	PGST 25
ER-40QF	325240P25	71	3	20	40	48	40	PGST 25

Dimensions in mm

## powRgrip® PGST collets



d	e	PGST	WTO Item No.	REGO-FIX Item No.
3	28	PGST 15	244P15003	1715.03006
4	28	PGST 15	244P15004	1715.04006
6	36	PGST 15	244P15006	1715.06006
8	36	PGST 15	244P15008	1715.08006
10	40	PGST 15	244P15010	1715.10006



d	e	PGST	WTO Item No.	REGO-FIX Item No.
1/8"	28	PGST 15	244P150013	1715.03186
3/16"	28	PGST 15	244P150019	1715.04766
1/4"	36	PGST 15	244P150025	1715.06356
5/16"	36	PGST 15	244P150031	1715.07946
3/8"	40	PGST 15	244P150038	1715.09526



3	28	PGST 25	244P25003	1725.03006
4	28	PGST 25	244P25004	1725.04006
6	36	PGST 25	244P25006	1725.06006
8	36	PGST 25	244P25008	1725.08006
10	40	PGST 25	244P25010	1725.10006
12	45	PGST 25	244P25012	1725.12006
16	48	PGST 25	244P25016	1725.16006
20	48	PGST 25	244P25020	1725.20006

Dimensions in mm

1/8"	28	PGST 25	244P250013	1725.03186
3/16"	28	PGST 25	244P250019	1725.04766
1/4"	36	PGST 25	244P250025	1725.06356
5/16"	36	PGST 25	244P250031	1725.07946
3/8"	40	PGST 25	244P250038	1725.09526
1/2"	45	PGST 25	244P250050	1725.12706
5/8"	48	PGST 25	244P250063	1725.15886
3/4"	48	PGST 25	244P250075	1725.19056

Dimensions in inch

# REGO-FIX powRgrip®

- The powRgrip® system:
- | Highly precise powRgrip® collet
  - | QuickFlex® powRgrip® collet chuck adapter
  - | powRgrip® clamping unit (PGU/PGC) (automatic or manual)



Tool



REGO-FIX powRgrip® collet



QuickFlex® REGO-FIX powRgrip® collet chuck adapter

## SIMPLE

| Tool is clamped in 8 seconds by pushing only one single button.

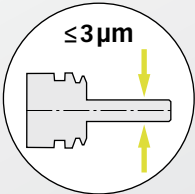
## SAFE

| No heat up – high clamping force.

## powRgrip®

| The tool clamping system of today and the future.

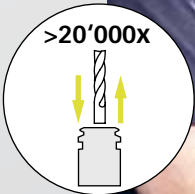
Total system runout  
TIR  $\leq 3 \mu\text{m}$  at  $3 \times D$ .



Excellent vibration  
dampening.



Maximum clamping  
force and low runout,  
even after 20,000 tool  
changes.

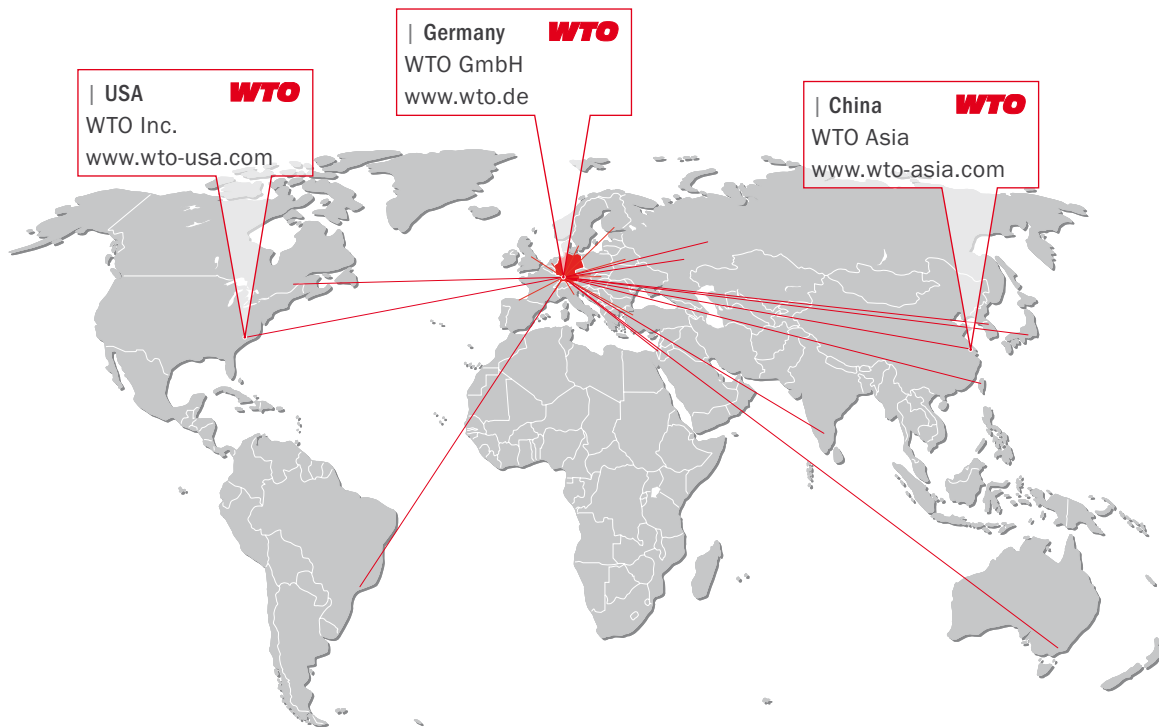


Tool ready for use  
in 8 seconds.



# WTO worldwide

**WTO**  
*Higher Productivity*



| USA **WTO**  
WTO Inc.  
www.wto-usa.com

| Germany **WTO**  
WTO GmbH  
www.wto.de

| China **WTO**  
WTO Asia  
www.wto-asia.com

WTO GmbH  
Auf der oberen Au 45  
77797 Ohlsbach  
Germany

WTO USA  
13900 S Lakes Dr Ste F  
Charlotte NC 28273-7119  
USA

WTO Asia  
Room 109-110, Building 2  
No. 228 Banting Road  
Jiuting Town,  
Songjiang District  
201615 Shanghai  
China

## Our distribution partners. Competence right there.

| Australia  
Dimac Tooling Ltd.  
sales@dimac.com.au

| Finland  
Suomen Terätuonti Oy  
myynti@stt.as

| Korea  
WTO Office Korea  
is.chon@wto-korea.com

| Slovakia  
ALBA precision s.r.o.  
albaprecision@albaprecision.sk

| Belarus  
LLC "PMI Engineering"  
tool@pmi.by

| France  
Philippe Tagliafero  
pta@wto.de

| Mexico  
Workholding Engineering De México  
info@wem.com.mx

| Spain  
ITALMATIC, S.A.  
italmatic@italmatic.es

| Brazil  
TF2  
tfdois@tfdois.com.br

| Great Britain  
Cutwel Ltd.  
sales@cutwel.net

| Netherlands  
Toologic BeNeLux B.V.  
info@toologic-benelux.nl

| Sweden  
Komet Scandinavia AB  
scandinavia@kometgroup.com

| Canada  
Mittmann Industrial Inc.  
info@mittmann.com

| India  
Ulhas Patil  
u.patil@wto-asia.com

| Norway  
Helge Karlsen Verktøy og Maskin AS  
hkvm@hkvm.no

| Switzerland  
Utilis AG  
info@utilis.com

| China  
Shanghai Gangde  
wtocando@yahoo.com

| Israel  
E.Y.A.R. Ltd.  
boris@eyar.co.il

| Poland  
ARCO Andrzej Rudenko  
info@arcotools.pl

| Taiwan  
Kaiko Co., Ltd.  
info@kaiko.com.tw

| Czech Republic  
ALBA precision, spol. s.r.o.  
info@albaprecision.cz

| Italy  
Prymark srl  
commerciale@prymark.it

| Romania  
SC Elif Trading SRL  
bulent.ozkan@eliftrading.com

| Turkey  
MYK CNC MAKINA SAN. VE  
huseyin.tatlidil@mykcnc.com.tr

| Denmark  
Tool-part  
cj@tool-part.dk

| Japan  
NK Works Co. Ltd.  
k\_samba@nk-works.co.jp

| Russia  
WTO Office Russia  
office@wto-russia.com

| Ukraine  
„LLC“ SPA Stankopromimport  
info@phoenix-ua.com